

4

3

2

1

REV	ECO	REV BY	DATE	APPD	DATE
D	0026379	R.LIAN	05-28-2012	B.SHEN	05-28-2012

GENERAL INFORMATION:

SHAFT RUNOUT: .001[.03] T.I.R. PER INCH LENGTH OF EXTENSION.

END PLAY: .010[.25] TO .063[1.60]

BEARINGS: SLEEVE

MOUNTING POSITION: HORIZONTAL

ELECTRICAL DATA:

OVERLOAD PROTECTOR: AUTOMATIC RESET (T.I. 7AM 304)

LEADS: NO.18 GA. .06[1.5] THK, 125°C INSUL.

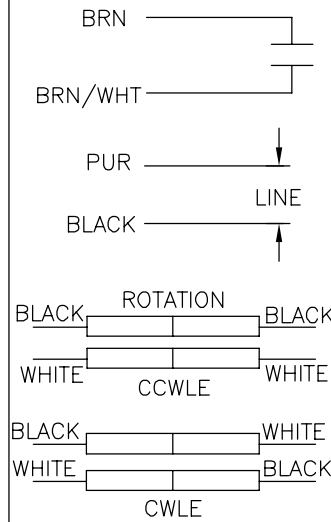
REVERSING LEADS: NO.18 GA. .03[.8] THK, 125°C INSUL.

GROUND LEAD: NO.18 GA. .03[.8] THK, 125°C GREEN INSUL.

NAMEPLATE DATA:

EXTERNAL CONNECTION DIAGRAM

MODEL NO.: 322P757  
 CUST. P/N: OWW6516  
 HP: 1/5  
 ROT.: REVERSIBLE  
 RPM: 1075  
 TYPE: FLL  
 FRAME: 42Y  
 VOLTS: 208-230  
 PH: 1  
 AMPS: 1.5  
 HZ: 60  
 INS.: B\*  
 AMB.: 40° C  
 DUTY: AIR COVER  
 CAP.: 7.5 MFD/370 V  
 ENCL: -  
 UL LOGO  
 CSA LOGO  
 THERMALLY PROTECTED  
 TYPE C

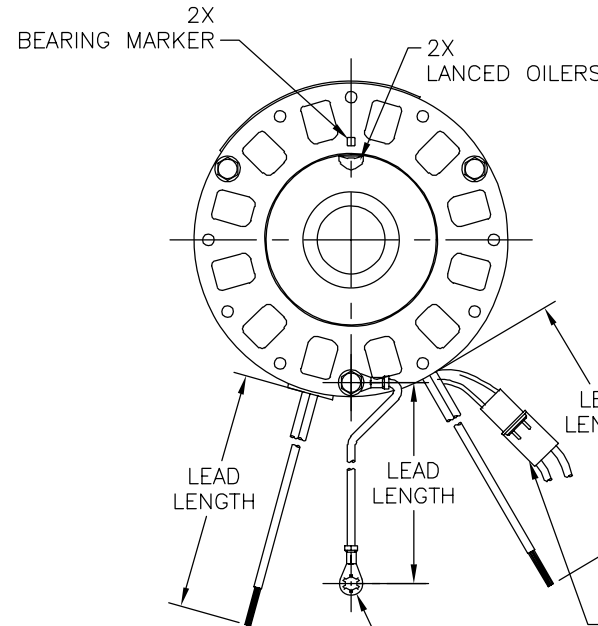
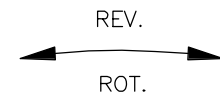


PERFORMANCE CURVE NO.	TORQUE @ 1075 RPM (25°C)	APPROVED SAMPLE	UL COMPONENT		CSA	
C31088	19.2 OZ. FT.	PSE 7404	FILE #	CCN #	FILE #	CLASS #
			E46412	PRGY2	LR43341	4211-01

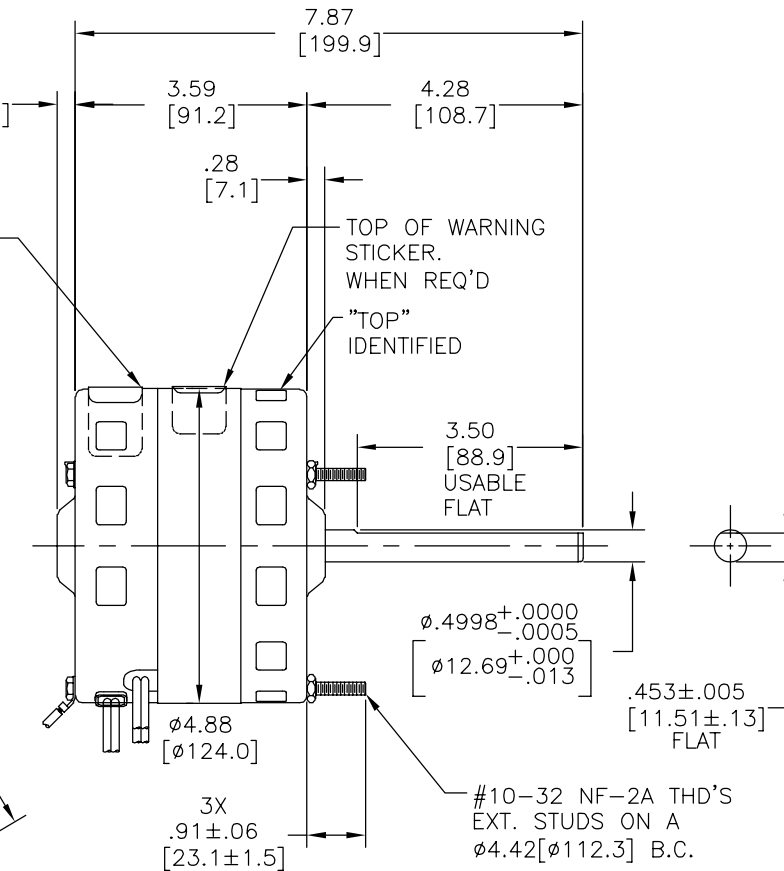
GREEN (GRD)	9.0/11.0 [229/279]	#10 EYELET
BROWN/WHITE	34.5/37.5 [876/940]	.60[15.2] SKIN
BROWN	34.5/37.5 [876/940]	.60[15.2] SKIN
PURPLE	34.5/37.5 [876/940]	.60[15.2] SKIN
BLACK	34.5/37.5 [876/940]	.60[15.2] SKIN
COLOR	LENGTH	TERMINAL OR STRIP LENGTH

MAIN FRAME - OLE	OPEN
END FRAME - OLE	OPEN
MAIN FRAME - LE	OPEN
END FRAME - LE	OPEN

CUST.	DISTRIBUTION SERVICE
-------	----------------------



GROUND LEAD TERMINAL AT MOTOR MUST NOT PROTRUDE BEYOND MOTOR O.D.



GEOMETRIC CHARACTERISTICS & SYMBOLS  
 □ FLATNESS  
 - STRAIGHTNESS  
 < ANGLARITY  
 ⊥ PERPENDICULARITY (SQUARENESS)  
 // PARALLELISM  
 ○ ROUNDNESS (CIRCULARITY)  
 ⌀ CYLINDRICITY  
 △ PROFILE OF ANY SURFACE  
 ▽ PROFILE OF ANY LINE  
 ↗ RUNOUT  
 ⊕ TRUE POSITION  
 ⊙ CONCENTRICITY  
 = SYMMETRY  
 ASME Y14.5M 1994

REGAL-BELOIT CORPORATION (RBC) PROVIDES TECHNICAL ASSISTANCE TO OUR CUSTOMERS IN SEVERAL AREAS. SINCE RBC DOES NOT RECEIVE ALL DATA CONCERNING THE USE AND APPLICATION OF THE MOTOR, THE SUITABILITY OF THE MOTOR FOR THE APPLICATION MUST BE DETERMINED BY THE CUSTOMER.  
 DIMENSIONS WITHOUT TOLERANCES ARE FOR REFERENCE ONLY.

DR BY: J. RUPERT 02-02-1996  
 APPD: .  
 THIRD ANGLE PROJECTION  
 EDS DATE 11-11-2011  
 FORMAT REV H  
 CONFIDENTIAL: THIS DRAWING AND ITS INFORMATION ARE THE EXCLUSIVE AND CONFIDENTIAL PROPERTY OF REGAL-BELOIT CORPORATION AND ARE NOT TO BE DISCLOSED, DUPLICATED, DISTRIBUTED OR OTHERWISE USED WITHOUT THE WRITTEN CONSENT OF REGAL-BELOIT CORPORATION. -ALL RIGHTS RESERVED.

**REGAL REGAL-BELOIT CORPORATION**

DESCRIPTION: MODEL-RFHP-42FR OUTLINE

SIZE: C DWG NO: 11704-004

SCALE: NONE SHEET: 1

4

3

2

1

4

3

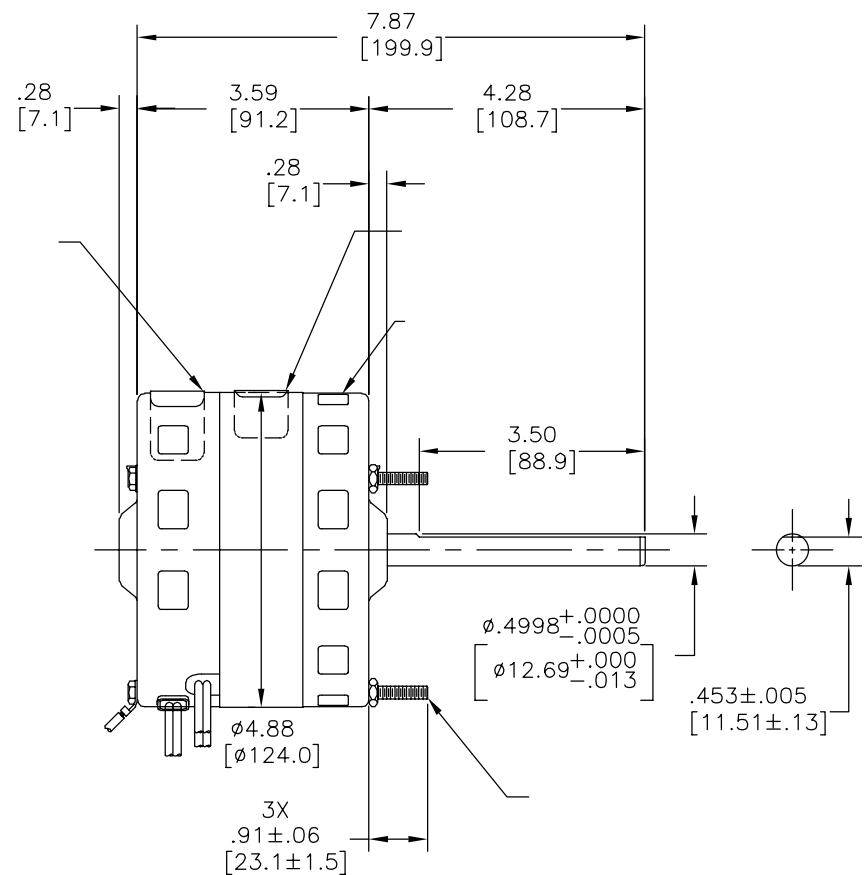
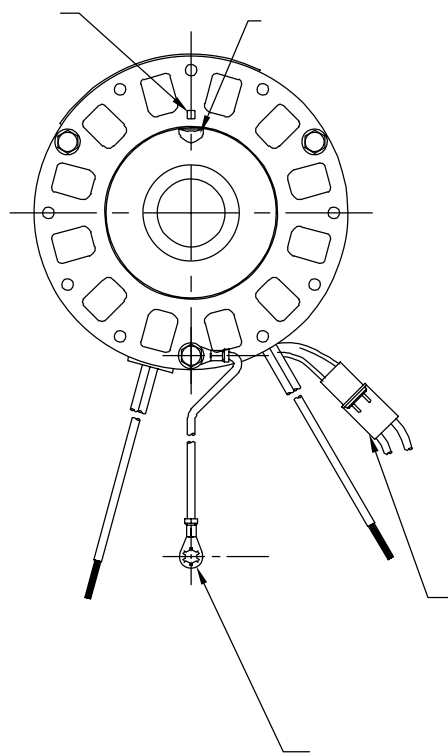
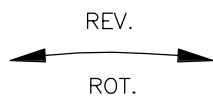
2

1

REVISION:	ECO	REVISADO POR:	FECHA:	APROBADO POR:	FECHA:
D	0026379	R.LIAN	05-28-2012	B.SHEN	05-28-2012

INFORMACION GENERAL:

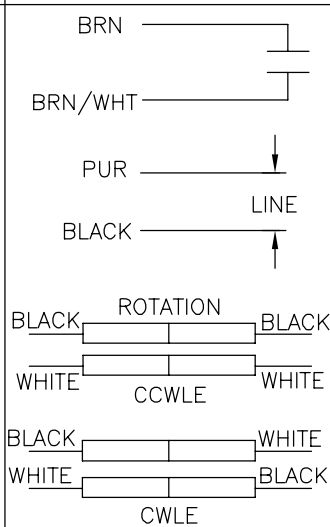
- OSCILACION DE FLECHA: -
- JUEGO AXIAL: -
- BALEROS: -
- POSICION DEL MONTAJE: -
- INFORMACION ELECTRICA:
- PROTECTOR DE SOBRECARGA: -
- CABLES: -
- CABLE DE TIERRA: -



INFORMACION DE ETIQUETA:

DIAGRAMA DE CONEXION EXTRNA

MODEL NO.: 322P757  
 CUST. P/N: OWW6516  
 HP: 1/5  
 ROT.: REVERSIBLE  
 RPM: 1075  
 TYPE: FLL  
 FRAME: 42Y  
 VOLTS: 208-230  
 PH: 1  
 AMPS: 1.5  
 HZ: 60  
 INS.: B\*  
 AMB.: 40° C  
 DUTY: AIR COVER  
 CAP.: 7.5 MFD/370 V  
 ENCL: -  
 UL LOGO  
 CSA LOGO  
 THERMALLY PROTECTED TYPE C



CURVAS DE FUNCIONAMIENTO	TORSION @ 1075 RPM (25°C)	MUESTRA APROBADA	COMPONENTE UL	CSA
C31088	19.2 OZ. FT.	PSE 7404	#ARCHIVO CCN #	#ARCHIVO CLASE #
			E46412 PRGY2	LR43341 4211-01

	9.0/11.0 [229/279]	
	34.5/37.5 [876/940]	
	34.5/37.5 [876/940]	
	34.5/37.5 [876/940]	
	34.5/37.5 [876/940]	
	34.5/37.5 [876/940]	

CARACTERISTICAS DE GEOMETRIA Y SIMBOLOS  
 ▽ PLANICIDAD  
 - RECTITUD  
 < ANGULARIDAD  
 ⊥ PERPENDICULARIDAD (A ESCUADRA)  
 // PARALELISMO  
 ○ REDONDEZ (CIRCULARIDAD)  
 ∅ CILINDRICIDAD  
 △ PERFIL DE CUALQUIER SUPERFICIE  
 ∩ PERFIL DE CUALQUIER LINEA  
 ↗ VARIACION  
 ⊕ POSICION REAL  
 ⊙ CONCENTRICIDAD  
 = SIMETRIA  
 ASME Y14.5M 1994

REGAL-BELOIT CORPORATION (RBC) PROVEE ASISTENCIA TECNICA A NUESTROS CLIENTES EN VARIAS AREAS. DESDE QUE RBC NO RECIBE TODOS LOS DATOS EN RELACION AL USO Y A LA APLICACION DEL MOTOR, LA APLICACION ADECUADA DEL MOTOR DEBE SER DETERMINADA POR EL CLIENTE.

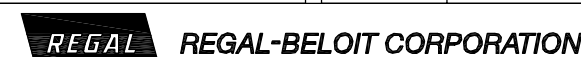
DIMENSIONES SIN TOLERANCIA SON DE REFERENCIA SOLAMENTE

DIBUJADO POR: J. RUPERT 02-02-1996

APROBADO POR:

TERCER ANGULO DE PROYECCION

CONFIDENCIAL: ESTE DIBUJO Y SU INFORMACION SON PROPIEDAD DE USO EXCLUSIVO Y CONFIDENCIAL DE REGAL-BELOIT CORPORATION. Y NO DEBERAN SER REVELADOS, DUPLICADOS, DISTRIBUIDOS O USARSE DE OTRA MANERA SIN EL CONSENTIMIENTO ESCRITO DE REGAL-BELOIT CORPORATION. -TODOS LOS DERECHOS RESERVADOS.



DESCRIPCION: MODEL-RFHP-42FR OUTLINE

TAMAÑO: C NUMERO DE DIBUJO: 11704-004

ESCALA: NONE HOJA: 1

4

3

2

1

4

3

2

1

版本	ECO	编制	日期	批准	日期
D	0026379	R.LIAN	05-28-2012	B.SHEN	05-28-2012

总技术要求:

轴跳动:

端部窜动量

安装位置:

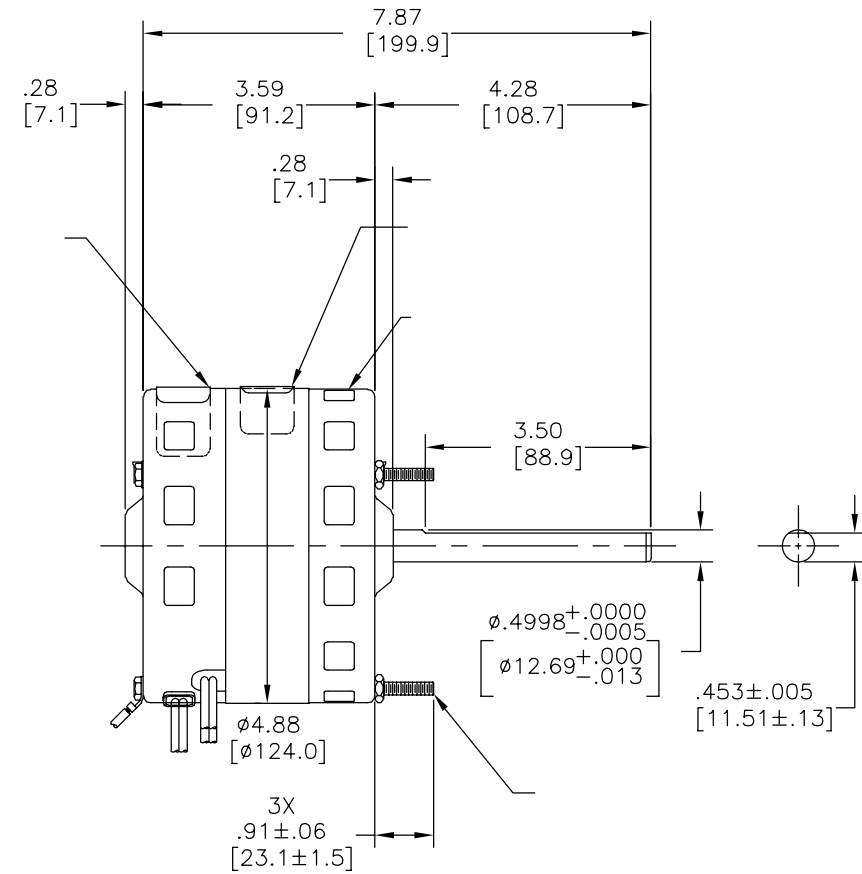
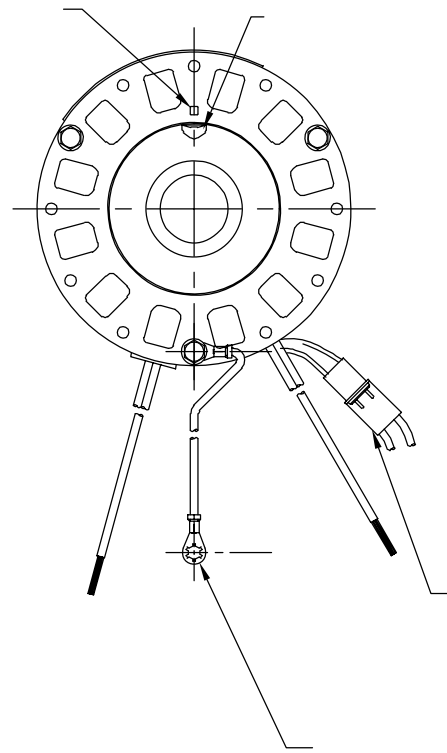
电气数据:

过载保护:

引线:

接地线:

REV.  
ROT.



	9.0/11.0	
	[229/279]	
	34.5/37.5	
	[876/940]	
	34.5/37.5	
	[876/940]	
	34.5/37.5	
	[876/940]	
	34.5/37.5	
	[876/940]	


用户 DISTRIBUTION SERVICE

铭牌数据	外部数据线
MODEL NO.: 322P757 CUST. P/N: OWW6516 HP: 1/5 ROT.: REVERSIBLE RPM: 1075 TYPE: FLL FRAME: 42Y VOLTS: 208-230 PH: 1 AMPS: 1.5 HZ: 60 INS.: B* AMB.: 40° C DUTY: AIR COVER CAP.: 7.5 MFD/370 V ENCL: - UL LOGO CSA LOGO THERMALLY PROTECTED TYPE C	BRN BRN/WHT PUR BLACK LINE ROTATION BLACK WHITE CCWLE BLACK WHITE WHITE BLACK CWLE

性能曲线编号	TORQUE @ 1075 RPM (25°C)	批准样品	UL部件	CSA
C31088	19.2 OZ. FT.	PSE 7404	文件号	文件号 指南
			E46412	PRGY2 LR43341 4211-01

- 形位公差
- 平面度
- 直线度
- ∠ 倾斜度
- ⊥ 垂直度
- // 平行度
- 圆度
- ⊘ 圆柱度
- ⊖ 面轮廓度
- ⊖ 线轮廓度
- ↗ 圆跳动
- ⊕ 位置度
- ⊙ 同轴度
- ≡ 对称度

ASME Y14.5M 1994

REGAL-BELOIT CORPORATION (RBC) 在个别领域为客户提供技术支持。鉴于RBC未收到任何涉及电机使用和应用环境的数据，电机的适用性由客户自己决定。

未注公差尺寸仅供参考。

绘图: J. RUPERT 02-02-1996  
 批准: .  
 第三角投影  
 机密: 本图纸及相关信息所有权归REGAL-BELOIT CORPORATION。未经REGAL-BELOIT CORPORATION书面授权, 不得泄露、复制或传播或作其他用途。—版权所有

**REGAL** REGAL-BELOIT CORPORATION

名称: MODEL-RFHP-42FR OUTLINE  
 图幅: C 图号: 11704-004  
 比例: NONE 页号: 1

4

3

2

1