

4

3

2

1

GENERAL INFORMATION:

SHAFT RUNOUT: .001[.03] T.I.R. PER INCH[mm] LENGTH OF EXTENSION.

END PLAY: .010[.25] TO .063[1.60]

BEARINGS: SLEEVE

MOUNTING POSITION: VERTICAL SHAFT UP OR DOWN

ELECTRICAL DATA:

OVERLOAD PROTECTOR: AUTOMATIC RESET (T.I. 7AM 036)

LEADS: NO. 18 GA., .06[1.5] THK. 125°C INSUL.

REVERSING LEADS: NO. 18 GA., .03[.08] THK. 125°C INSUL.

GROUND LEAD: NO. 18 GA., .03[.08] THK. (GREEN) INSUL.

NOTES:

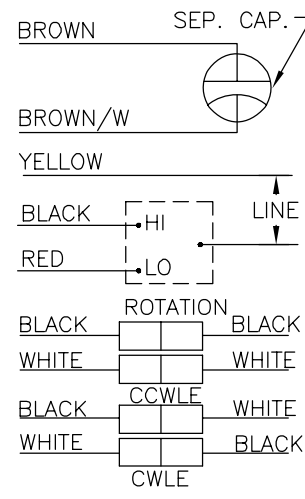
- 1. DISTRIBUTION: CUST. P/N: FSE1016
- GRAINGER: CUST. P/N: 4MB77

SEE NOTE 1

NAMEPLATE DATA :

MODEL NO.: F48SF6L6
 CUST. P/N: []
 HP: 1/6
 ROT: REVERSIBLE
 RPM: 1075/750
 TYPE: UF
 FRAME: 48Y
 VOLTS: 208-230
 PH: 1
 AMPS: 0.9 (1.3 MAX.)
 HZ: 60
 INS: B
 AMB: 60 °C
 DUTY: AIR OVER
 CAP.: 5 MFD/370V
 ENCL: ENCLOSED
 CSA LOGO
 UL LOGO
 THERMALLY PROTECTED

EXTERNAL CONNECTION DIAGRAM



614131-109

| PERFORMANCE CURVE NO. | TORQUE @1075 RPM (25°C) | APPROVED SAMPLE | UL COMPONENT | | CSA | |
|-----------------------|-------------------------|-----------------|--------------|-------|---------|---------|
| | | | FILE # | CCN # | FILE # | CLASS # |
| C22893 | 19.0 OZ. FT. | EX11195 | E46412 | PRGY2 | LR43341 | 4211-01 |

GEOMETRIC CHARACTERISTICS & SYMBOLS

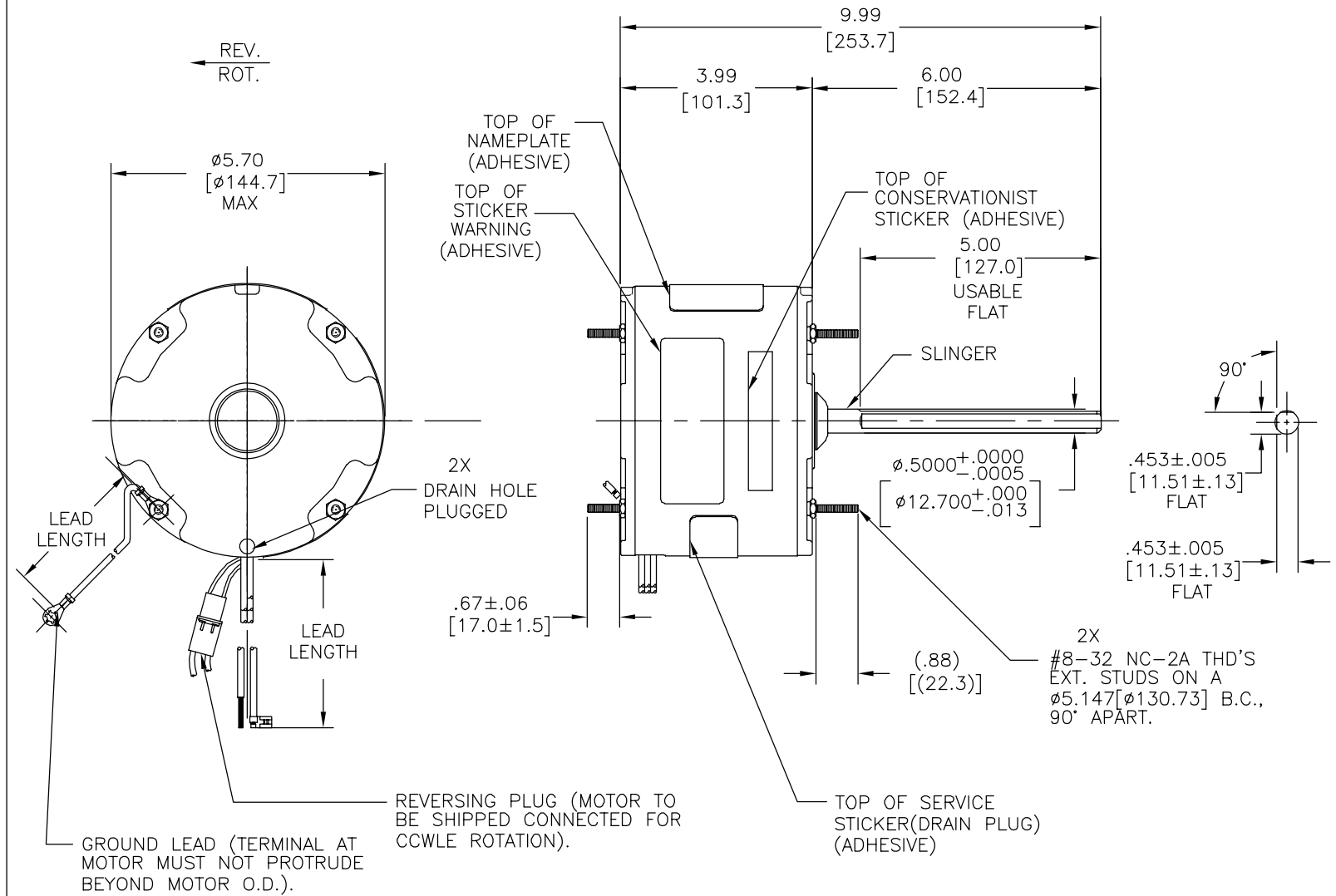
- FLATNESS
- STRAIGHTNESS
- ∠ ANGULARITY
- ⊥ PERPENDICULARITY (SQUARENESS)
- // PARALLELISM
- ROUNDNESS (CIRCULARITY)
- ⊘ CYLINDRICITY
- △ PROFILE OF ANY SURFACE
- ∧ PROFILE OF ANY LINE
- ↗ RUNOUT
- ⊕ TRUE POSITION
- ◎ CONCENTRICITY
- ≡ SYMMETRY

ASME Y14.5M 1994

REGAL-BELOIT CORPORATION (RBC) PROVIDES TECHNICAL ASSISTANCE TO OUR CUSTOMERS IN SEVERAL AREAS. SINCE RBC DOES NOT RECEIVE ALL DATA CONCERNING THE USE AND APPLICATION OF THE MOTOR, THE SUITABILITY OF THE MOTOR FOR THE APPLICATION MUST BE DETERMINED BY THE CUSTOMER.

DIMENSIONS WITHOUT TOLERANCES ARE FOR REFERENCE ONLY.

| REV | ECO | REV BY | DATE | APPD | DATE |
|-----|---------|----------|------------|---------------|------------|
| B | 0025549 | I. ORTIZ | 04-30-2012 | D. BALDERRAMA | 04-30-2012 |



| COLOR | LENGTH | TERMINAL OR STRIP LENGTH |
|-------------|---------------------|--------------------------|
| BLACK/WHITE | 3.0/5.0 [76/127] | REVERSING PLUG |
| GREEN(GRD) | 12.0/13.0 [304/330] | #10 EYELET |
| BROWN/WHITE | 26.0/28.0 [660/711] | .25[6.4] FLAG |
| BROWN | 26.0/28.0 [660/711] | .25[6.4] FLAG |
| YELLOW | 26.0/28.0 [660/711] | .50[12.7] SKIN |
| BLACK | 26.0/28.0 [660/711] | .50[12.7] SKIN |
| RED | 26.0/28.0 [660/711] | .50[12.7] SKIN |

| COLOR | LENGTH | TERMINAL OR STRIP LENGTH |
|-------------|------------------|--------------------------|
| BLACK/WHITE | 3.0/5.0 [76/127] | REVERSING PLUG |

| ENCLOSURE | DESCRIPTION |
|--------------|-------------|
| MAIN FR.-OLE | ENCLOSED |
| END FR.-OLE | ENCLOSED |
| MAIN FR.-LE | ENCLOSED |
| END FR.-LE | ENCLOSED |

| CUSTOMER | DISTRIBUTION SERVICE |
|----------|----------------------|
| | |

A

4

3

2

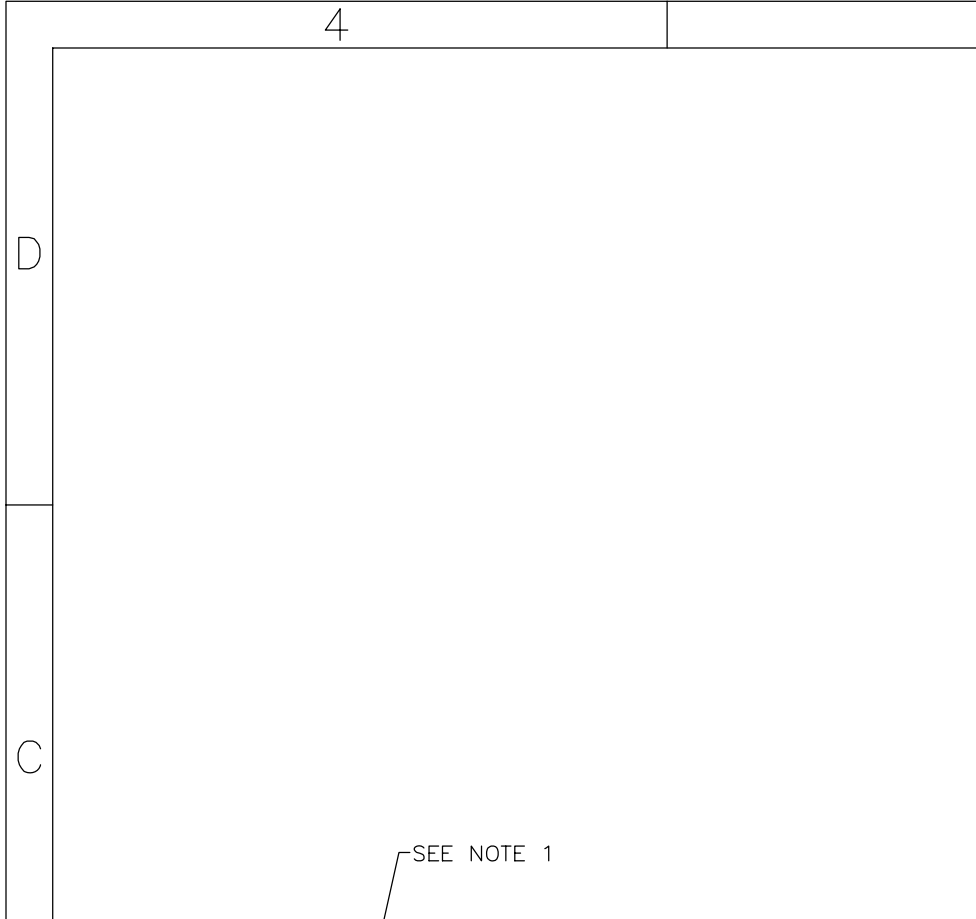
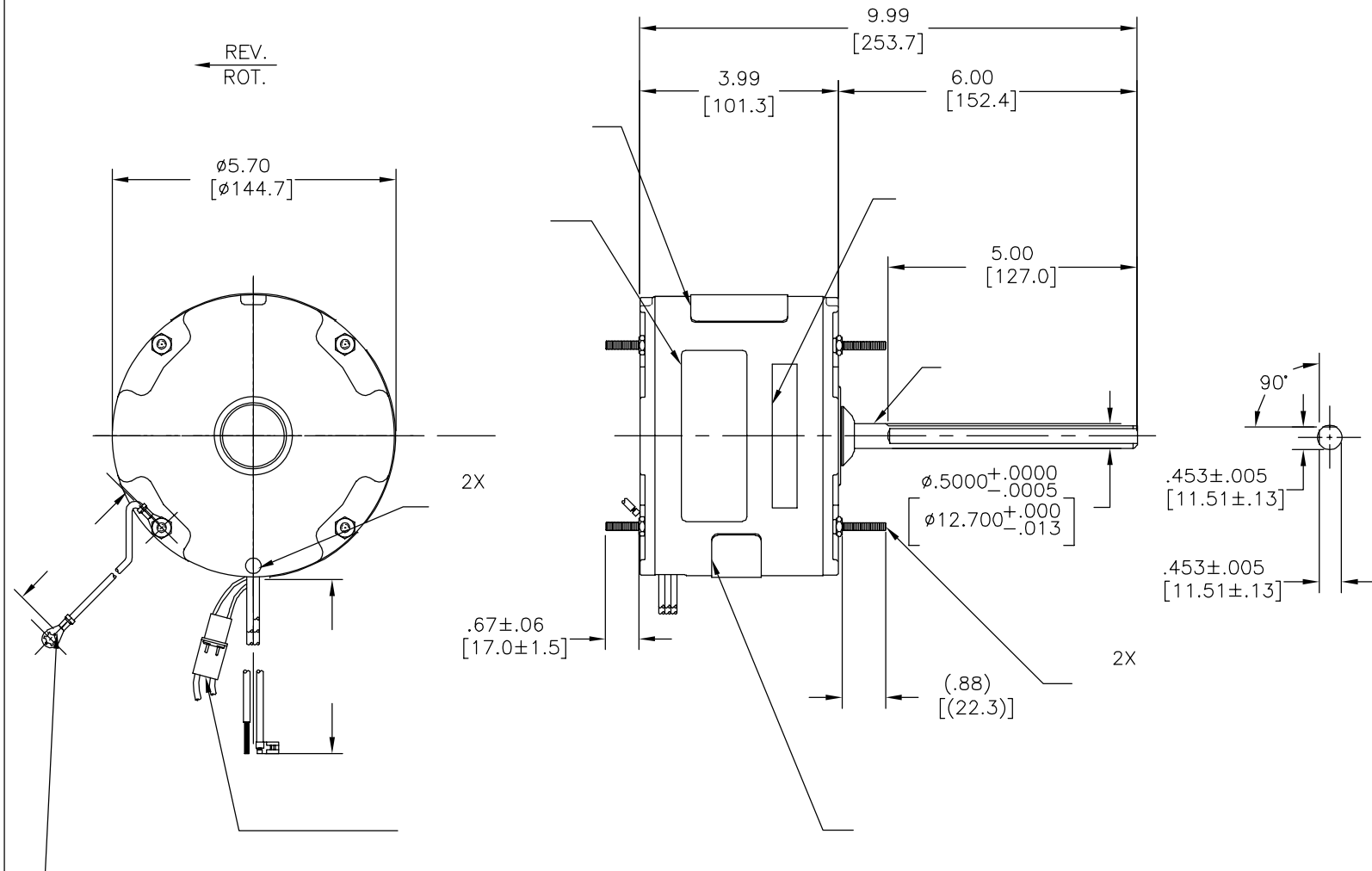
1

DR BY: DZ 02-21-2011
 APPD: DZ 02-21-2011
 EDS DATE 11-11-2011
 FORMAT REV G
 THIRD ANGLE PROJECTION
 CONFIDENTIAL: THIS DRAWING AND ITS INFORMATION ARE THE EXCLUSIVE AND CONFIDENTIAL PROPERTY OF REGAL-BELOIT CORPORATION AND ARE NOT TO BE DISCLOSED, DUPLICATED, DISTRIBUTED OR OTHERWISE USED WITHOUT THE WRITTEN CONSENT OF REGAL-BELOIT CORPORATION. -ALL RIGHTS RESERVED.



| DESCRIPTION | SIZE | DWG NO | SCALE | SHEET |
|-------------------------|------|----------|-------|-------|
| MODEL-RFHP-48FR OUTLINE | C | F48SF6L6 | NONE | 1 |

| | | | | | |
|-----------|---------|---------------|------------|---------------|------------|
| REVISION: | ECO | REVISADO POR: | FECHA: | APROBADO POR: | FECHA: |
| B | 0025549 | I. ORTIZ | 04-30-2012 | D. BALDERRAMA | 04-30-2012 |



SEE NOTE 1

MODEL NO.: F48SF6L6
 CUST. P/N: []
 HP: 1/6
 ROT: REVERSIBLE
 RPM: 1075/750
 TYPE: UF
 FRAME: 48Y
 VOLTS: 208-230
 PH: 1
 AMPS: 0.9 (1.3 MAX.)
 HZ: 60
 INS: B
 AMB: 60 °C
 DUTY: AIR OVER
 CAP.: 5 MFD/370V
 ENCL: ENCLOSED
 CSA LOGO
 UL LOGO
 THERMALLY PROTECTED

BROWN SEP. CAP.
 BROWN/W
 YELLOW
 BLACK HI LINE
 RED LO
 ROTATION
 BLACK BLACK
 WHITE WHITE
 CCWLE
 BLACK WHITE
 WHITE BLACK
 CWLE

614131-109

| | | |
|--|-----------|--|
| | 3.0/5.0 | |
| | [76/127] | |
| | 12.0/13.0 | |
| | [304/330] | |
| | 26.0/28.0 | |
| | [660/711] | |
| | 26.0/28.0 | |
| | [660/711] | |
| | 26.0/28.0 | |
| | [660/711] | |
| | 26.0/28.0 | |
| | [660/711] | |

| | | | | | |
|--------|--------------|---------|--------|-------|-----------------|
| | | | | | CSA |
| C22893 | 19.0 OZ. FT. | EX11195 | E46412 | PRGY2 | LR43341 4211-01 |

CARACTERISTICAS DE GEOMETRIA Y SIMBOLOS

- PLANICIDAD
- RECTITUD
- ∠ ANGULARIDAD
- ⊥ PERPENDICULARIDAD (A ESCUADRA)
- // PARALELISMO
- REDONDEZ (CIRCULARIDAD)
- ⊘ CILINDRICIDAD
- △ PERFIL DE CUALQUIER SUPERFICIE
- ∧ PERFIL DE CUALQUIER LINEA
- ∧ VARIACION
- ⊕ POSICION REAL
- ◎ CONCENTRICIDAD
- = SIMETRIA

ASME Y14.5M 1994

REGAL-BELOIT CORPORATION (RBC) PROVEE ASISTENCIA TECNICA A NUESTROS CLIENTES EN VARIAS AREAS. DESDE QUE RBC NO RECIBE TODOS LOS DATOS EN RELACION AL USO Y A LA APLICACION DEL MOTOR, LA APLICACION ADECUADA DEL MOTOR DEBE SER DETERMINADA POR EL CLIENTE.

DIMENSIONES SIN TOLERANCIA SON DE REFERENCIA SOLAMENTE

DIBUJADO POR: DZ 02-21-2011

APROBADO POR: DZ 02-21-2011

TERCER ANGULO DE PROYECCION

FECHA EDS: 11-11-2011

REV. FORMATO: G

CONFIDENCIAL: ESTE DIBUJO Y SU INFORMACION SON PROPIEDAD DE USO EXCLUSIVO Y CONFIDENCIAL DE REGAL-BELOIT CORPORATION. Y NO DEBERAN SER REVELADOS, DUPLICADOS, DISTRIBUIDOS O USARSE DE OTRA MANERA SIN EL CONSENTIMIENTO ESCRITO DE REGAL-BELOIT CORPORATION. -TODOS LOS DERECHOS RESERVADOS.

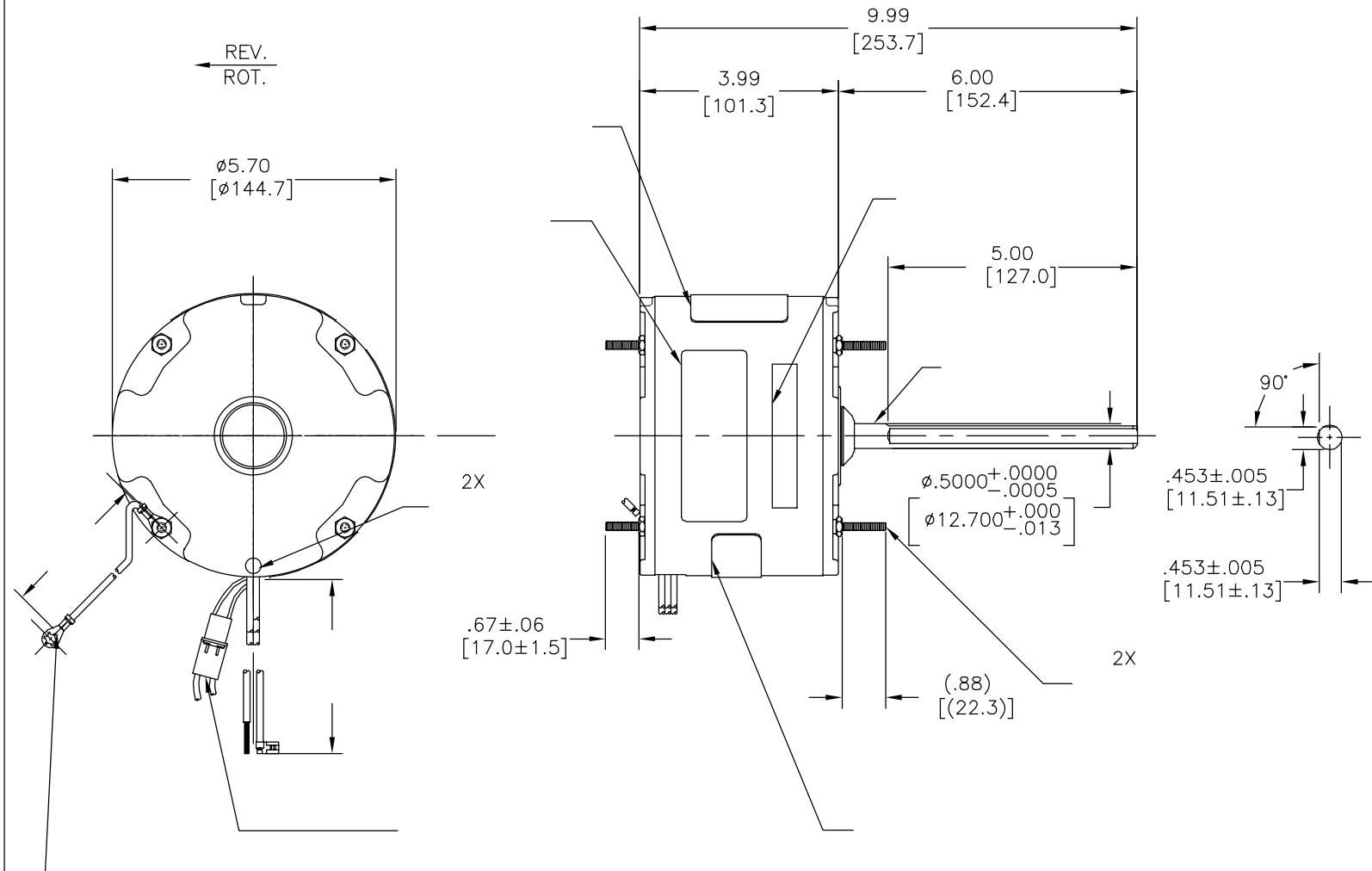
REGAL-BELOIT CORPORATION

DESCRIPCION: MODEL-RFHP-48FR OUTLINE

TAMAÑO: C NUMERO DE DIBUJO: F48SF6L6

ESCALA: NONE HOJA: 1

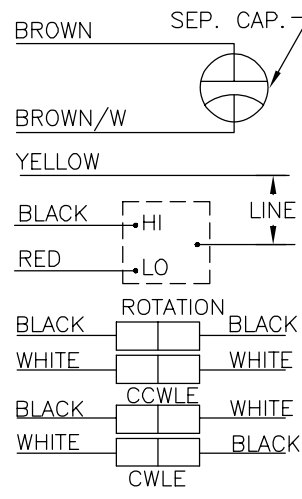
| | | | | | |
|----|---------|----------|------------|---------------|------------|
| 版本 | ECO | 编制 | 日期 | 批准 | 日期 |
| B | 0025549 | I. ORTIZ | 04-30-2012 | D. BALDERRAMA | 04-30-2012 |



| | | |
|--|-----------|--|
| | 3.0/5.0 | |
| | [76/127] | |
| | 12.0/13.0 | |
| | [304/330] | |
| | 26.0/28.0 | |
| | [660/711] | |
| | 26.0/28.0 | |
| | [660/711] | |
| | 26.0/28.0 | |
| | [660/711] | |
| | 26.0/28.0 | |
| | [660/711] | |
| | 26.0/28.0 | |
| | [660/711] | |

| | |
|--|--|
| | |
| | |
| | |
| | |

MODEL NO.: F48SF6L6
 CUST. P/N: []
 HP: 1/6
 ROT: REVERSIBLE
 RPM: 1075/750
 TYPE: UF
 FRAME: 48Y
 VOLTS: 208-230
 PH: 1
 AMPS: 0.9 (1.3 MAX.)
 HZ: 60
 INS: B
 AMB: 60 °C
 DUTY: AIR OVER
 CAP.: 5 MFD/370V
 ENCL: ENCLOSED
 CSA LOGO
 UL LOGO
 THERMALLY PROTECTED



614131-109

| | | | | | | |
|--------|--------------|---------|--------|-------|---------|---------|
| | | | | | | CSA |
| C22893 | 19.0 OZ. FT. | EX11195 | E46412 | PRGY2 | LR43341 | 4211-01 |

- 形位公差
- 平面度
- 直线度
- ∠ 倾斜度
- ⊥ 垂直度
- // 平行度
- 圆度
- ⊘ 圆柱度
- ⊙ 面轮廓度
- △ 线轮廓度
- ↗ 圆跳动
- ⊕ 位置度
- ⊙ 同轴度
- ≡ 对称度

ASME Y14.5M 1994

REGAL-BELOIT CORPORATION (RBC) 在个别领域为客户提供技术支持。鉴于RBC未收到任何涉及电机使用和应用环境的数据，电机的适用性由客户自己决定。

未注公差尺寸仅供参考。

| | | |
|---|----|---------------------------------|
| 绘图: | DZ | 02-21-2011 |
| 批准: | DZ | 02-21-2011 |
| 第三角投影 | | 图纸格式发布日期 11-11-2011 图纸格式版本 G |
| 机密: 本图纸及相关信息所有权归REGAL-BELOIT CORPORATION。未经REGAL-BELOIT CORPORATION书面授权, 不得泄露、复制、传播或作其他用途。—版权所有 | | |



MODEL-RFHP-48FR
 OUTLINE

| | | |
|----|-------------------------|-------------|
| 名称 | MODEL-RFHP-48FR OUTLINE | |
| 图幅 | C | 图号 F48SF6L6 |
| 比例 | NONE | 页号 1 |