

GENERAL INFORMATION:

SHAFT RUNOUT: .001 [.03] T.I.R. PER INCH LENGTH OF EXTENSION

END PLAY: .010 TO .063 [.25 TO 1.60]

BEARINGS: SLEEVE

MOUNTING POSITION: HORIZONTAL

ELECTRICAL DATA:

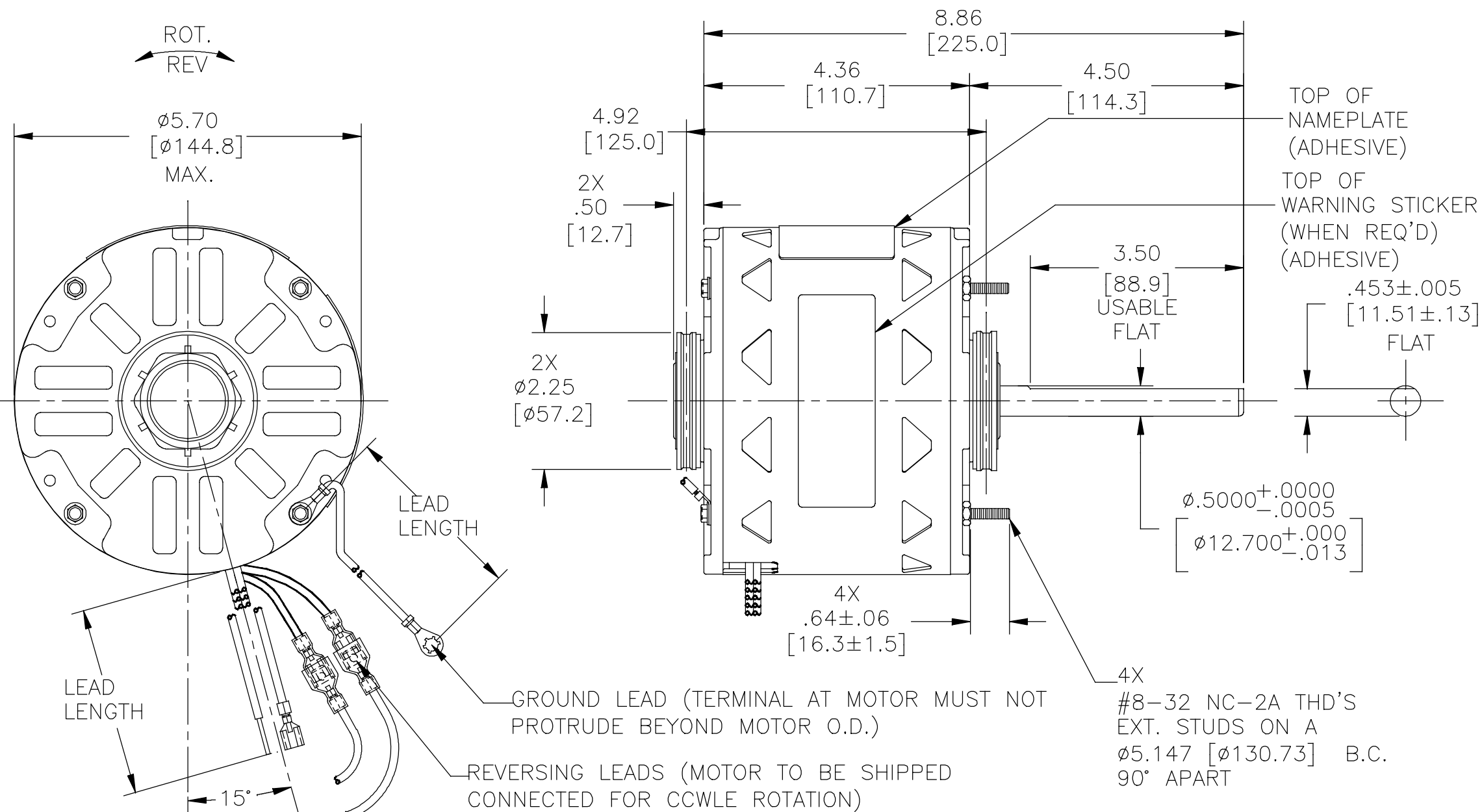
OVERLOAD PROTECTOR: AUTOMATIC RESET (T.I. 7AM 036)

LINE LEADS: NO. 18 GA., .06 [1.5] THK., PVC 125°C INSUL.

REVERSING LEADS: NO. 18 GA., .03 [.8] THK., 125°C INSUL.

GROUND LEADS: NO. 18 GA., .03 [.8] THK., (GREEN)INSUL.

SEE NOTE 1



GREEN (GRD)	9.0/11.0 [229/279]	10# EYELET
WHITE (REV)	4.0/6.0 [102/152]	.25[6.4] PER-INSUL. FEMALE SPADE
PURPLE(REV)	4.0/6.0 [102/152]	.25[6.4] PER-INSUL. FEMALE SPADE
ORANGE(REV)	4.0/6.0 [102/152]	.25[6.4] PER-INSUL. FEMALE SPADE
BROWN (REV)	4.0/6.0 [102/152]	.25[6.4] PER-INSUL. FEMALE SPADE
BROWN	25.0/27.0 [635/686]	.25[6.4] FEMALE SPADE
BROWN/WHITE	25.0/27.0 [635/686]	.25[6.4] FEMALE SPADE
YELLOW	25.0/27.0 [635/686]	.60[15.2] SKIN
BLACK	25.0/27.0 [635/686]	.60[15.2] SKIN
RED	25.0/27.0 [635/686]	.60[15.2] SKIN
COLOR	LENGTH	TERMINAL OR STRIP LENGTH

NOTE:  
1. DISTRIBUTION PART NUMBER: D0004  
GRAINGER PART NUMBER: 4KA27  
2. SPLIT RING ADAPTOR 615035 (4 REQ'D) TO BE PACKED WITH EACH MOTOR.

REGAL-BELOIT CORPORATION (RBC) PROVIDES TECHNICAL ASSISTANCE TO OUR CUSTOMERS IN SEVERAL AREAS. SINCE RBC DOES NOT RECEIVE ALL DATA CONCERNING THE USE AND APPLICATION OF THE MOTOR, THE SUITABILITY OF THE MOTOR FOR THE APPLICATION MUST BE DETERMINED BY THE CUSTOMER.

DIMENSIONS WITHOUT TOLERANCES ARE FOR REFERENCE ONLY.

MAIN FRAME - OLE	OPEN
END FRAME - OLE	OPEN
MAIN FRAME - LE	OPEN
END FRAME - LE	OPEN

CUSTOMER DISTRIBUTION SERVICES

NAMEPLATE DATA:	EXTERNAL CONNECTION DIAGRAM
MODEL: F48M98A01 CUST. P/N: [ ] HP: 1/3 ROT: REVERSIBLE RPM: 1075/2 SPD TYPE: UF FRAME: 48Y VOLTS: 208-230 PH: 1 AMPS: 2.6 (3.1 MAX.) HZ: 60 INS: B AMB: 40 °C DUTY: AIR OVER CAP.: 5 MFD/370V ENCL: OPEN UL LOGO CSA LOGO THERMALLY PROTECTED	

PERFORMANCE CURVE NO.	TORQUE @ 1075 RPM (25°C)	APPROVED SAMPLE	UL COMPONENT FILE #	CCN #	CSA FILE #	CLASS #
C31358	39.5 OZ.FT.	96AC230A	E46412	PRGY2	LR43341	4211-01

DRAWING REVISION F	REVISION BY JERRY CHAI	DATE 12-04-2018
ECO-0157133	APPROVED BY SARA HELTON	DATE 12-04-2018

COPYRIGHT REGAL-BELOIT AMERICA, INC. ALL RIGHTS RESERVED. PROPRIETARY AND CONFIDENTIAL INFORMATION - THIS DOCUMENT IS THE PROPERTY OF REGAL-BELOIT AMERICA, INC. (OWNER) AND CONTAINS OWNER'S PROPRIETARY INFORMATION. ANY PERSON, CORPORATION OR OTHER FIRM RECEIVING IT IS DEEMED, BY RECEIVING IT, TO AGREE THAT IT, AND/OR ANY PART OF IT, SHALL NOT BE DISCLOSED TO ANY PERSON, CORPORATION OR OTHER ENTITY, DUPLICATED, AND/OR USED, EXCEPT AS EXPRESSLY APPROVED IN WRITING IN ADVANCE BY OWNER. THIS DOCUMENT SHALL BE RETURNED TO OWNER UPON REQUEST. IT MAY BE SUBJECT TO CERTAIN RESTRICTIONS UNDER APPLICABLE EXPORT CONTROL LAWS AND REGULATIONS.

DRAWN BY: CADDIE.ZHOU  
DATE: 06-07-2018  
APPROVED BY: SARA.HELTON  
DATE: 06-07-2018  
PROCESS/FINISH: -

**REGAL™** Regal Beloit America, Inc.

DESCRIPTION: MODEL-RFHP-48FR OUTLINE

MATERIAL: -

THIRD ANGLE PROJECTION

SIZE DWG NO: C 11760-085

SHEET 1