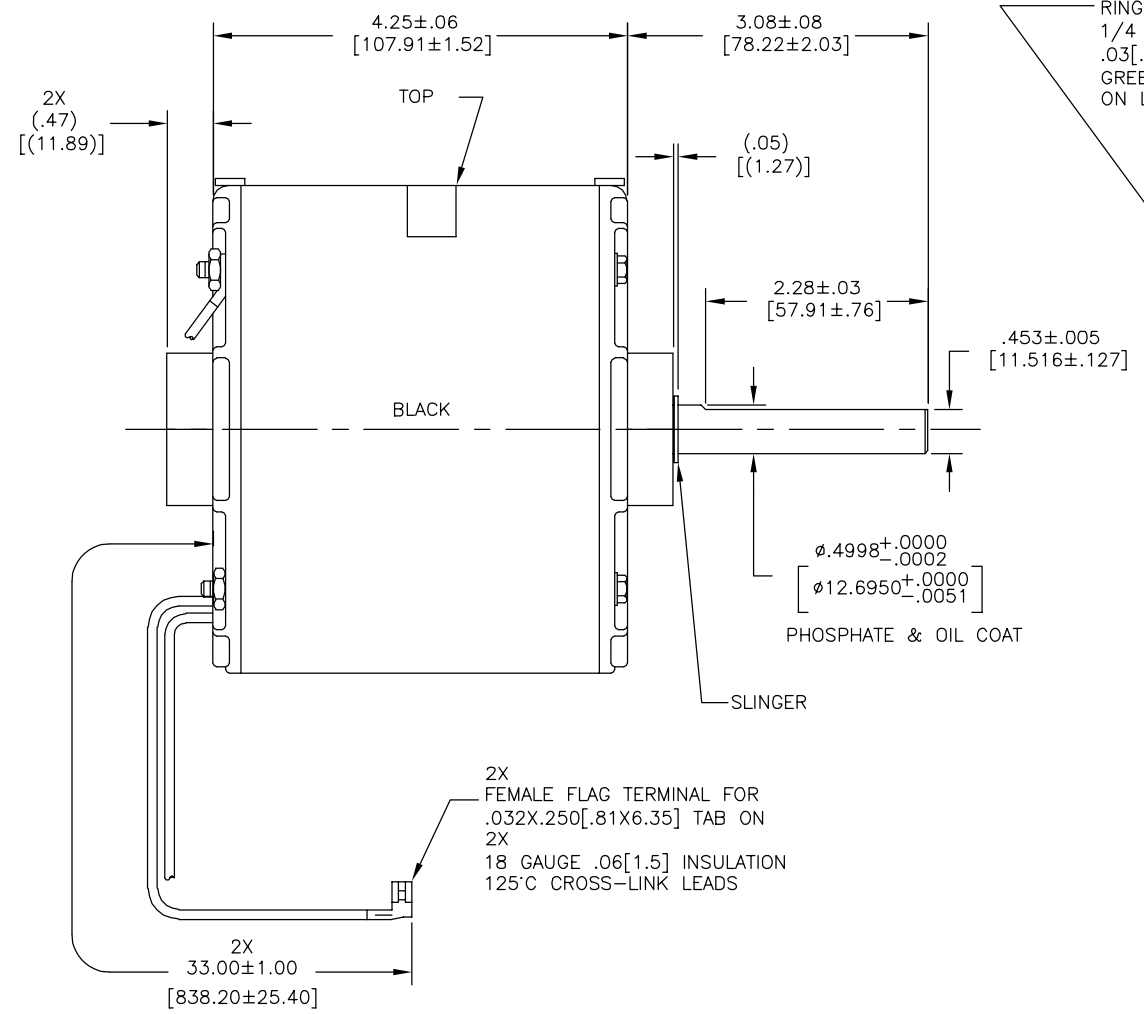
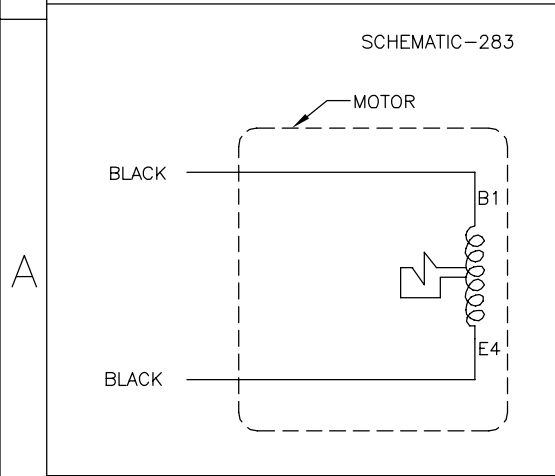
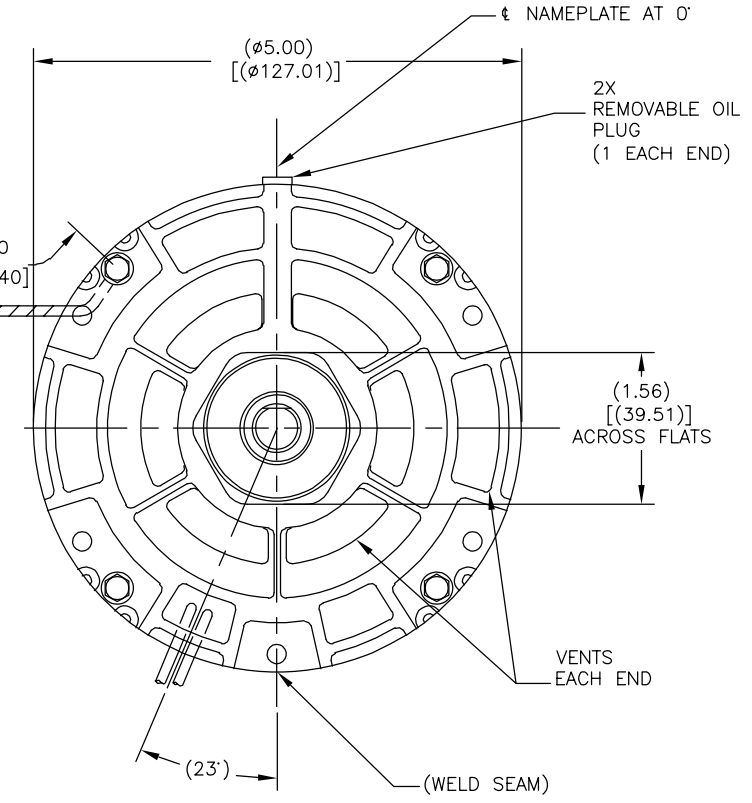


CUSTOMER IS SOLELY RESPONSIBLE FOR MOTOR PERFORMANCE AND SUITABILITY IN APPLICATIONS FOR CUSTOMER'S USE

ENDPLAY .005[0.13]MINIMUM-.040[1.02]MAXIMUM
 MAXIMUM SHAFT RUN OUT .001[.03] PER INCH
 MAXIMUM RUN OUT NOT TO EXCEED .0075[.191]



RING TERMINAL FOR 1/4 SCREW ON 16 GAUGE .03[.8] 105°C PVC GREEN/YELLOW GROUND ON LEAD END



NOTE:
 DISTRIBUTION: CUSTOMER PART NUMBER: 598
 GRAINGER: CUSTOMER PART NUMBER: 4UY65

ELECTRICALLY PER SAMPLE S-8731D

ROT: CCWLE-CWSE

NAMEPLATE DATA:

Tipp City, OH
 THERMALLY PROTECTED

SER. DATE & PO# PLT LTR MOD DA2F079N" []

VOLTS 230 HZ 60 AMPS 1.9
 RPM 1550 SP PH1 CAP
 INS CL B AMB 40°C HP 1/8 CONT A.O. ← ROTATION →
 BRG SLV ASSEMBLED IN MEXICO

DRAWING REVISION G	REVISION BY F.RAMIREZ	DATE 07-24-2014	TOLERANCES UNLESS OTHERWISE SPECIFIED DEC. INCH mm ANGLE	DRAWN BY: DLC	Regal Beloit America, Inc. DESCRIPTION MODEL-RFHP-42FR OUTLINE
ECO ECO-0056310	APPROVED BY J.RUIZ	DATE 07-24-2014	.X ±0.1 [±2.5] ±0.5° .XX ±0.02 [±0.51] .XXX ±0.005 [±0.127] .XXXX ±0.0005 [±0.0127]	DATE: 11-18-1998	
SEE ECO			REMOVE BURRS & BREAK SHARP EDGES .003/.015 [0.076/.381] CORNER/FILLETS .02 [0.51] MACHINED SURFACES 125 INCH/mm	APPROVED BY:	SIZE DWG NO C DA2F7079
PROPRIETARY AND CONFIDENTIAL INFORMATION - THIS DOCUMENT IS THE PROPERTY OF REGAL BELOIT AMERICA, INC. (OWNER) AND CONTAINS OWNER'S PROPRIETARY INFORMATION. ANY PERSON, CORPORATION OR OTHER FIRM RECEIVING IT IS DEEMED, BY RECEIVING IT, TO AGREE THAT IT, AND/OR ANY PART OF IT, SHALL NOT BE DISCLOSED TO ANY PERSON, CORPORATION OR OTHER ENTITY, DUPLICATED, AND/OR USED, EXCEPT AS EXPRESSLY APPROVED IN WRITING IN ADVANCE BY OWNER. THIS DOCUMENT SHALL BE RETURNED TO OWNER UPON REQUEST. IT MAY BE SUBJECT TO CERTAIN RESTRICTIONS UNDER APPLICABLE EXPORT CONTROL LAWS AND REGULATIONS.				THIRD ANGLE PROJECTION	SHEET 1