

GENERAL INFORMATION:

SHAFT RUNOUT: .001 [.03] T.I.R. PER INCH LENGTH OF EXTENSION

END PLAY: .010[.25] TO .063[1.60]

BEARINGS: SLEEVE

MOUNTING POSITION: ALL ANGLE

ELECTRICAL DATA:

OVERLOAD PROTECTOR: AUTOMATIC RESET (T.I. 7AM 032)

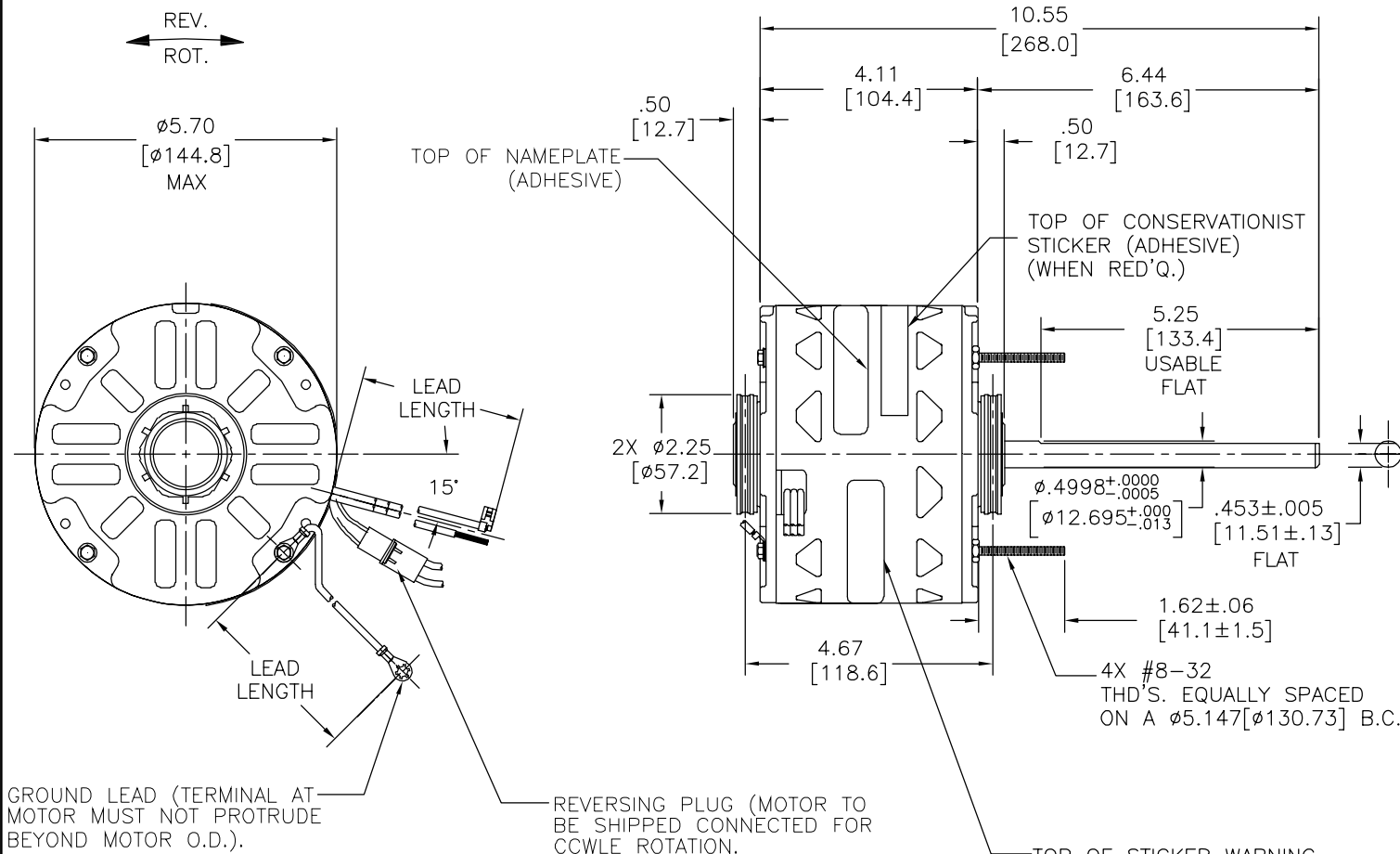
LEADS: NO. 18 GA., .03 [.8] THK. XLP 125°C INSUL.

REVERSING PLUGS: NO. 18 GA., .03 [.8] THK. 125°C INSUL.

GROUND LEAD: NO. 18 GA., .03 [.8] THK. (GREEN) INSUL.

NOTE:

1. 680907-001(4X SNAP RINGS 680198-001) TO BE PACKED WITH EACH MOTOR



NAMEPLATE DATA:	EXTERNAL CONNECTION DIAGRAM
MODEL NO.: F48SG6L9 CUST. P/N: FDL1026 HP: 1/4 ROT.: REVERSIBLE RPM: 1075/3 SPD. TYPE: UF FRAME: 48Y VOLTS: 115 PH: 1 AMPS: 4.3 HZ: 60 INS.: A AMB.: 50°C DUTY: AIR OVER CAP.: 7.5 MFD/370V ENCL: OPEN UL LOGO CSA LOGO THERMALLY PROTECTED	

LEAD DATA		
COLOR	LENGTH	TERMINAL OR STRIP LENGTH
RED	26.0/28.0 [660/711]	.50 [12.7] SKIN
BLUE	26.0/28.0 [660/711]	.50 [12.7] SKIN
BLACK	26.0/28.0 [660/711]	.50 [12.7] SKIN
YELLOW	26.0/28.0 [660/711]	.50 [12.7] SKIN
BROWN/WHITE	26.0/28.0 [660/711]	.25 [6.4] FLAG
BROWN	26.0/28.0 [660/711]	.25 [6.4] FLAG
BLACK/WHITE	3.0/5.0 [76/127]	REVERSING PLUG
GREEN (GROUND)	12.0/13.0 [305/330]	#10 EYELET

REGAL-BELOIT CORPORATION (RBC) PROVIDES TECHNICAL ASSISTANCE TO OUR CUSTOMERS IN SEVERAL AREAS. SINCE RBC DOES NOT RECEIVE ALL DATA CONCERNING THE USE AND APPLICATION OF THE MOTOR, THE SUITABILITY OF THE MOTOR FOR THE APPLICATION MUST BE DETERMINED BY THE CUSTOMER.

DIMENSIONS WITHOUT TOLERANCES ARE FOR REFERENCE ONLY.

ENCLOSURE	
END FRAME - LE	OPEN
MAIN FRAME - LE	OPEN
END FRAME - OLE	OPEN
MAIN FRAME - OLE	OPEN

CUSTOMER	DISTRIBUTION SERVICE

PERFORMANCE CURVE NO.	TORQUE @ 1075 RPM (25°C)	APPROVED SAMPLE	UL COMPONENT		CSA	
			FILE #	CCN #	FILE #	CLASS #
C22955	26.6 OZ. FT.	EX11214	E46412	PRGY2	LR43341	260-Ø-0

DRAWING REVISION	REVISION BY	DATE
A	J. COX	11-20-2013
ECC	APPROVED BY	DATE
ECC-0041020	C. McREYNOLDS	11-20-2013

ECC DESCRIPTION
CHANGE AMPS

COPYRIGHT REGAL-BELOIT AMERICA, INC. ALL RIGHTS RESERVED. PROPRIETARY AND CONFIDENTIAL INFORMATION - THIS DOCUMENT IS THE PROPERTY OF REGAL-BELOIT AMERICA, INC. (OWNER) AND CONTAINS OWNER'S PROPRIETARY INFORMATION. ANY PERSON, CORPORATION OR OTHER FIRM RECEIVING IT IS DEEMED, BY RECEIVING IT, TO AGREE THAT IT, AND/OR ANY PART OF IT, SHALL NOT BE DISCLOSED TO ANY PERSON, CORPORATION OR OTHER ENTITY, DUPLICATED, AND/OR USED, EXCEPT AS EXPRESSLY APPROVED IN WRITING IN ADVANCE BY OWNER. THIS DOCUMENT SHALL BE RETURNED TO OWNER UPON REQUEST. IT MAY BE SUBJECT TO CERTAIN RESTRICTIONS UNDER APPLICABLE EXPORT CONTROL LAWS AND REGULATIONS.

DRAWN BY:	REGAL	Regal Beloit America, Inc.
MH		
DATE:	DESCRIPTION	
03-18-2009	MODEL-RFHP-48FR	
APPROVED BY:	OUTLINE	
FJ		
DATE:	MATERIAL	
03-18-2009		
PROCESS/FINISH		
THIRD ANGLE PROJECTION	SIZE DWG NO	SHEET
	C FDL1026	1