

4

3

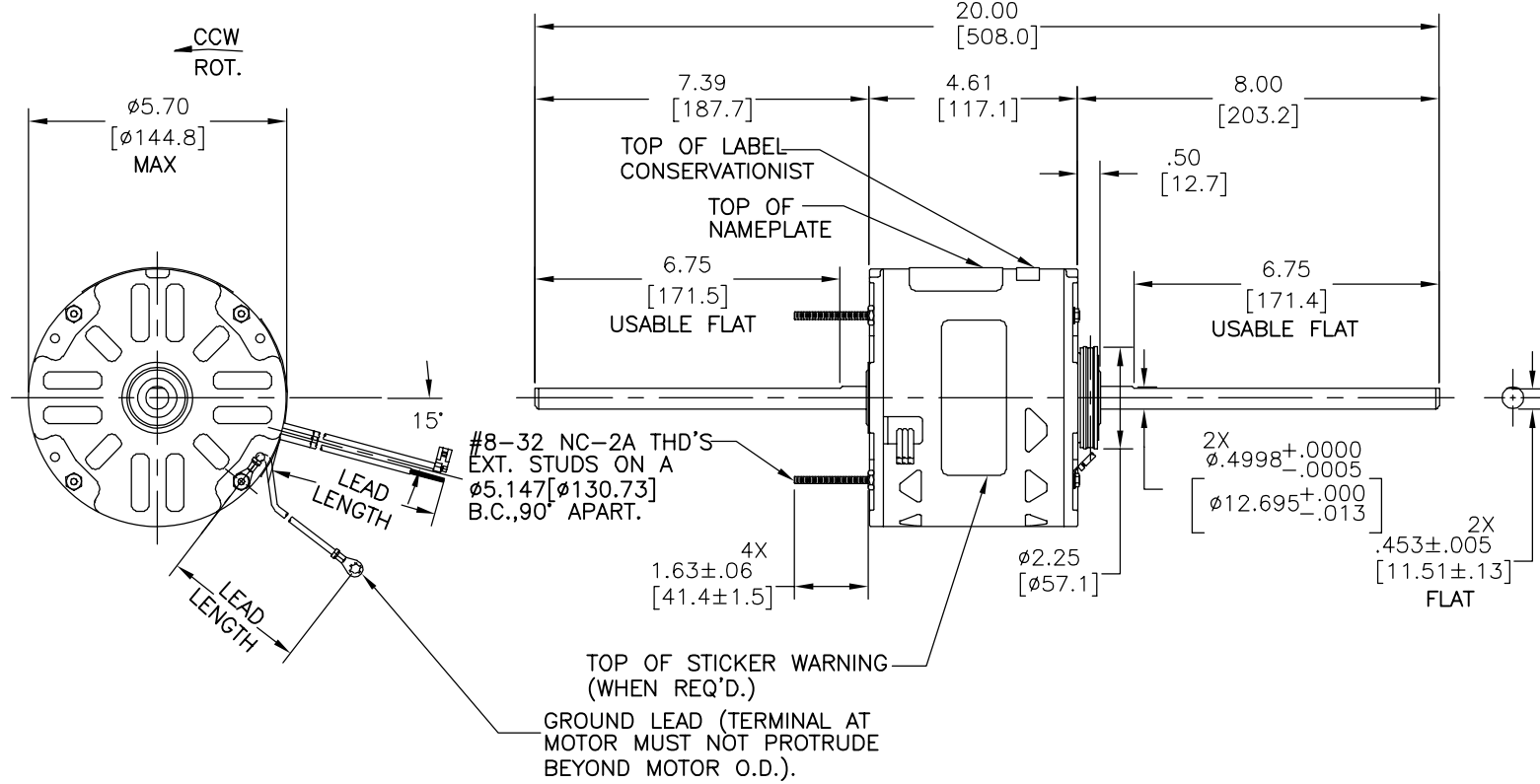
2

1

REV	ECO	REV BY	DATE	APPD	DATE
E	0025575	A. ARREOLA	05-01-2012	D. BALDERRAMA	05-01-2012

GENERAL INFORMATION:

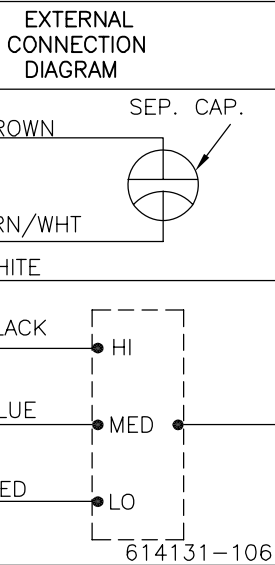
SHAFT RUNOUT: .001 [.03] T.I.R. PER INCH LENGTH OF EXTENSION  
 END PLAY: .010 TO .063 [.25 TO 1.60]  
 BEARINGS: SLEEVE  
 MOUNTING POSITION: HORIZONTAL  
 ELECTRICAL DATA:  
 OVERLOAD PROTECTOR: AUTOMATIC RESET (T.I. 7AM 032)  
 LEADS: NO. 18 GA., .06[1.5] THK. PVC 105°C INSUL.  
 GROUND LEAD: NO. 18 GA., .03[.8] THK., (GREEN) INSUL.



NAMEPLATE DATA:

MODEL NO.: F48SJ4L3  
 CUST. P/N: [ ]  
 HP: 1/3  
 ROT: CCWLE  
 RPM: 1625/3 SPD.  
 TYPE: UF  
 FRAME: 48Y  
 VOLTS: 208-230  
 PH: 1  
 AMPS: 2.0 (2.8 MAX.)  
 HZ: 60  
 INS: A  
 AMB: 50°C  
 DUTY: AIR OVER  
 CAP.: 5 MFD/370V  
 ENCL: SEMI-ENCL.  
 CSA LOGO  
 UL LOGO  
 THERMALLY PROTECTED

SEE NOTE 2



COLOR	LENGTH	TERMINAL OR STRIP LENGTH
GREEN/(GRD)	29[737]/31[787]	#10 EYELET
BROWN/WHITE	35[889]/37[940]	.25[6.4] FLAG
BROWN	35[889]/37[940]	.25[6.4] FLAG
WHITE	35[889]/37[940]	.60[15.2] STRIP
BLACK	35[889]/37[940]	.60[15.2] STRIP
BLUE	35[889]/37[940]	.60[15.2] STRIP
RED	35[889]/37[940]	.60[15.2] STRIP
LEAD DATA		

NOTE:

- 615059-001 RESILENT MOUNTING KIT TO BE PACKED WITH MOTOR.
- DISTRIBUTION PART NUMBER: RA1034  
GRAINGER PART NUMBER: 4MA63

MAIN FR.-OLE	SEMI-ENCLOSED
END FR.-OLE	OPEN
MAIN FR.-LE	SEMI-ENCLOSED
END FR.-LE	OPEN
ENCLOSURE	

CUST .	DISTRIBUTION SERVICES
--------	-----------------------

PERFORMANCE CURVE NO.	TORQUE @ 1625 RPM(25°C)	APPROVED SAMPLE	UL COMPONENT FILE#	GUIDE#	CSA FILE#	GUIDE#
C23010	25.2 OZ. FT.	EX11259	E46412	PRGY2	LR43341	260-0-0

GEOMETRIC CHARACTERISTICS & SYMBOLS  
 ▽ FLATNESS  
 — STRAIGHTNESS  
 < ANGLARITY  
 ⊥ PERPENDICULARITY (SQUARENESS)  
 // PARALLELISM  
 ○ ROUNDNESS (CIRCULARITY)  
 ∅ CYLINDRICITY  
 △ PROFILE OF ANY SURFACE  
 ∩ PROFILE OF ANY LINE  
 ↑ RUNOUT  
 ⊕ TRUE POSITION  
 ⊙ CONCENTRICITY  
 = SYMMETRY  
 ASME Y14.5M 1994

REGAL-BELOIT CORPORATION (RBC) PROVIDES TECHNICAL ASSISTANCE TO OUR CUSTOMERS IN SEVERAL AREAS. SINCE RBC DOES NOT RECEIVE ALL DATA CONCERNING THE USE AND APPLICATION OF THE MOTOR, THE SUITABILITY OF THE MOTOR FOR THE APPLICATION MUST BE DETERMINED BY THE CUSTOMER.

DIMENSIONS WITHOUT TOLERANCES ARE FOR REFERENCE ONLY.

DR BY: R. RHODUS 02-25-1997  
 APPD: R. BROW 04-13-1995  
 THIRD ANGLE PROJECTION  
 EDS DATE 11-11-2011  
 FORMAT REV G  
 CONFIDENTIAL: THIS DRAWING AND ITS INFORMATION ARE THE EXCLUSIVE AND CONFIDENTIAL PROPERTY OF REGAL-BELOIT CORPORATION AND ARE NOT TO BE DISCLOSED, DUPLICATED, DISTRIBUTED OR OTHERWISE USED WITHOUT THE WRITTEN CONSENT OF REGAL-BELOIT CORPORATION. -ALL RIGHTS RESERVED.



DESCRIPTION	
MODEL-RFHP-48FR OUTLINE	
SIZE C	DWG NO 11773-030
SCALE NONE	SHEET 1

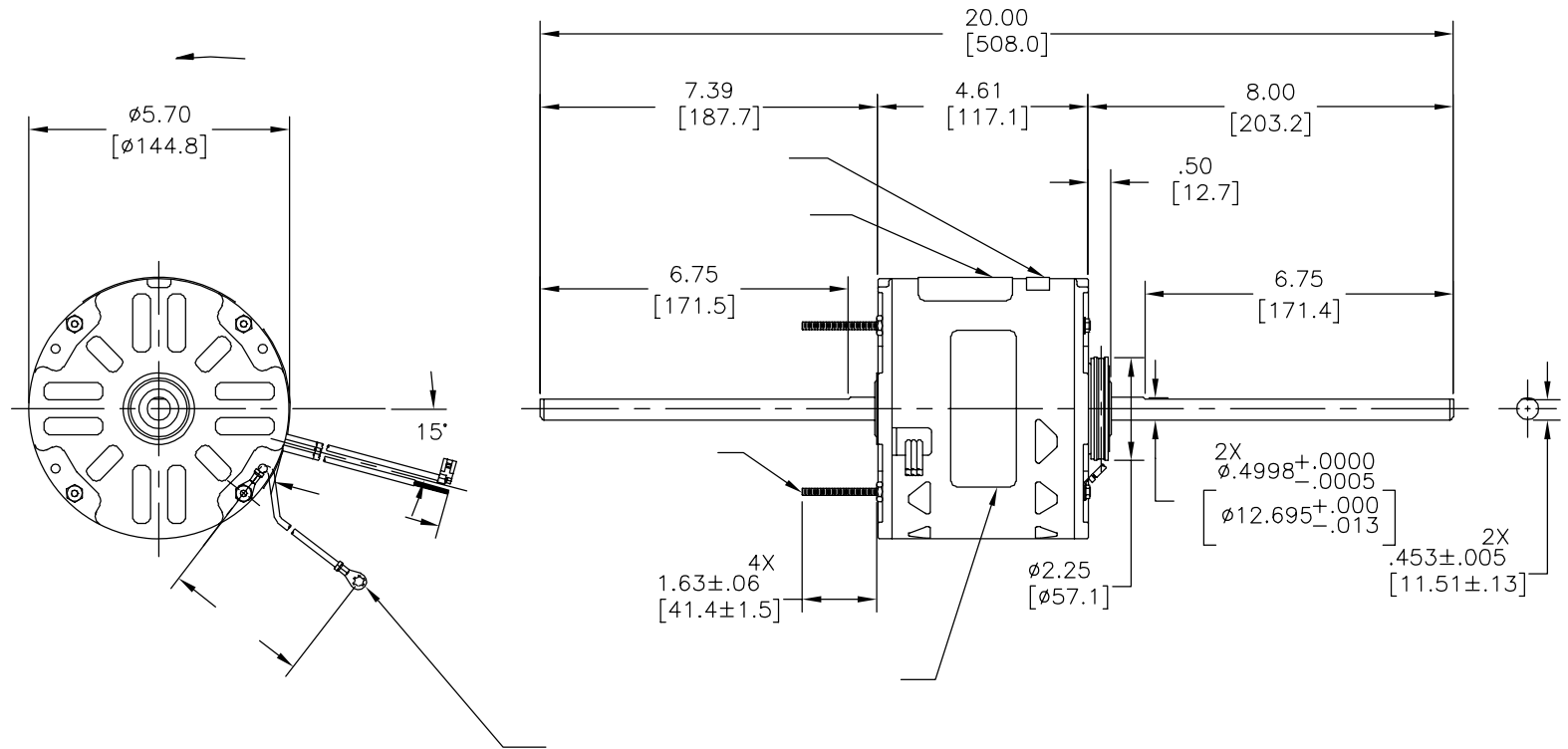
4

3

2

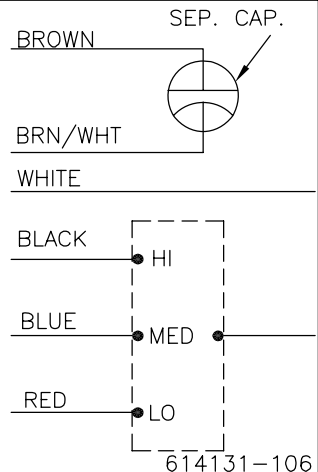
1

REVISION:	ECO	REVISADO POR:	FECHA:	APROBADO POR:	FECHA:
E	0025575	A. ARREOLA	05-01-2012	D. BALDERRAMA	05-01-2012



SEE NOTE 2

MODEL NO.: F48SJ4L3  
 CUST. P/N: [ ]  
 HP: 1/3  
 ROT: CCWLE  
 RPM: 1625/3 SPD.  
 TYPE: UF  
 FRAME: 48Y  
 VOLTS: 208-230  
 PH: 1  
 AMPS: 2.0 (2.8 MAX.)  
 HZ: 60  
 INS: A  
 AMB: 50°C  
 DUTY: AIR OVER  
 CAP.: 5 MFD/370V  
 ENCL: SEMI-ENCL.  
 CSA LOGO  
 UL LOGO  
 THERMALLY PROTECTED



	29[737]/31[787]	
	35[889]/37[940]	.25[6.4]
	35[889]/37[940]	.25[6.4]
	35[889]/37[940]	.60[15.2]
	35[889]/37[940]	.60[15.2]
	35[889]/37[940]	.60[15.2]
	35[889]/37[940]	.60[15.2]


CUST . DISTRIBUTION SERVICES

C23010	25.2 OZ. FT.	EX11259	E46412	PRGY2	LR43341	260-0-0

CARACTERISTICAS DE GEOMETRIA Y SIMBOLOS  
 ▽ PLANICIDAD  
 — RECTITUD  
 < ANGULARIDAD  
 ⊥ PERPENDICULARIDAD (A ESCUADRA)  
 // PARALELISMO  
 ○ REDONDEZ (CIRCULARIDAD)  
 ∅ CILINDRICIDAD  
 △ PERFIL DE CUALQUIER SUPERFICIE  
 ∇ PERFIL DE CUALQUIER LINEA  
 / VARIACION  
 ⊕ POSICION REAL  
 ⊙ CONCENTRICIDAD  
 = SIMETRIA  
 ASME Y14.5M 1994

REGAL-BELOIT CORPORATION (RBC)  
 PROVEE ASISTENCIA TECNICA A  
 NUESTROS CLIENTES EN VARIAS AREAS.  
 DESDE QUE RBC NO RECIBE TODOS  
 LOS DATOS EN RELACION AL USO Y A  
 LA APLICACION DEL MOTOR, LA  
 APLICACION ADECUADA DEL MOTOR  
 DEBE SER DETERMINADA POR EL  
 CLIENTE.

DIMENSIONES SIN TOLERANCIA SON  
 DE REFERENCIA SOLAMENTE

DIBUJADO POR:  
 R. RHODUS  
 02-25-1997  
 APROBADO POR:  
 R. BROW  
 04-13-1995  
 TERCER ANGULO  
 DE PROYECCION  
 FECHA EDS: 11-11-2011  
 REV. FORMATO: G  
 CONFIDENCIAL: ESTE DIBUJO Y SU INFORMACION  
 SON PROPIEDAD DE USO EXCLUSIVO Y CONFIDENCIAL DE  
 REGAL-BELOIT CORPORATION. Y NO DEBERAN SER REVELADOS,  
 DUPLICADOS, DISTRIBUIDOS O USARSE DE OTRA MANERA  
 SIN EL CONSENTIMIENTO ESCRITO DE REGAL-BELOIT  
 CORPORATION. -TODOS LOS DERECHOS RESERVADOS.

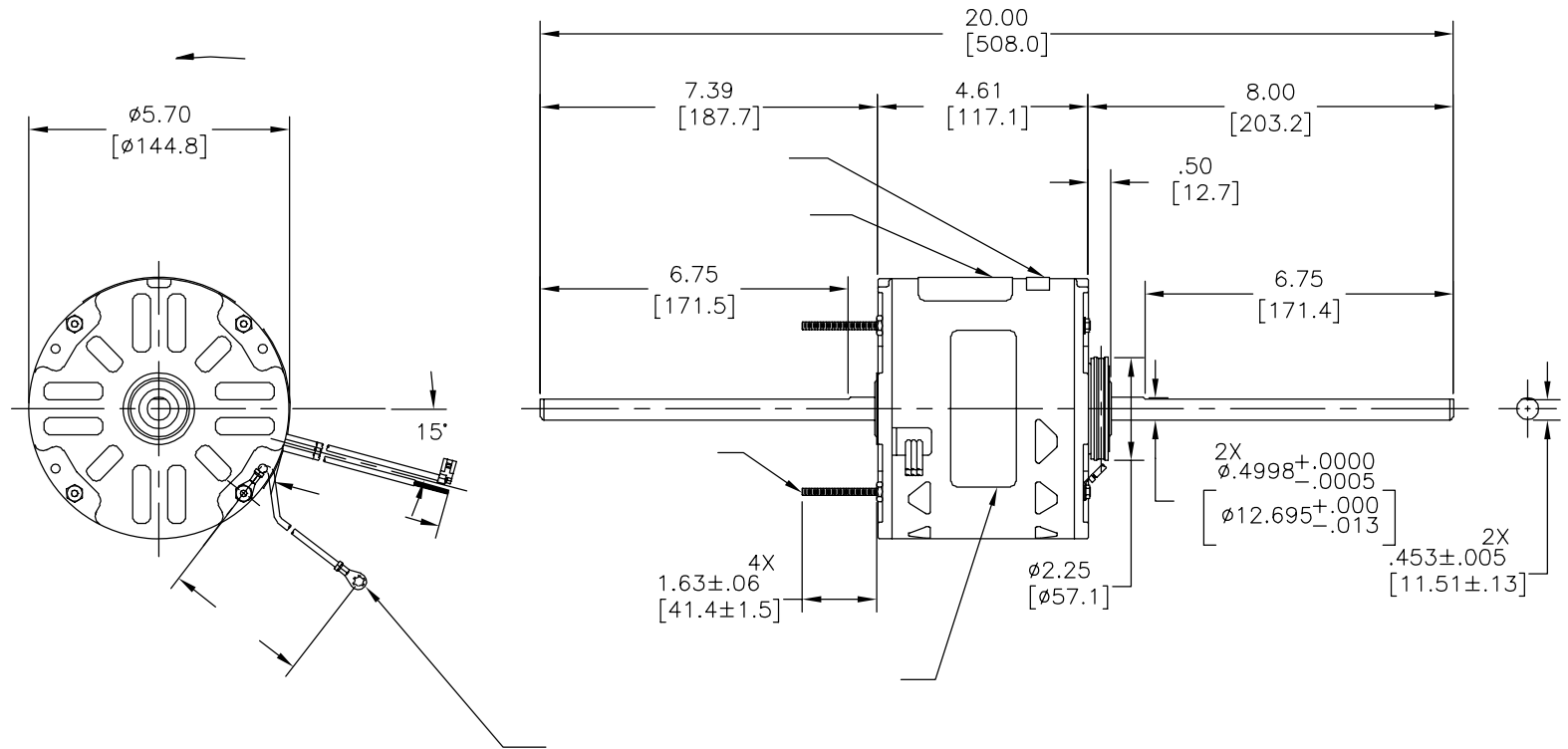


DESCRIPCION:  
 MODEL-RFHP-48FR  
 OUTLINE

TAMAÑO: C NUMERO DE DIBUJO:  
 11773-030

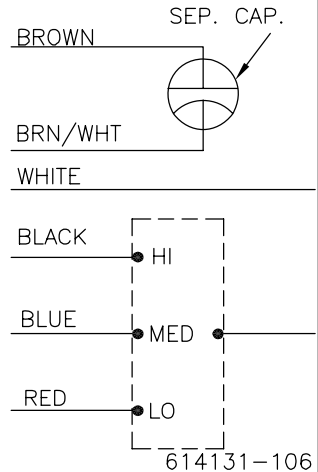
ESCALA: NONE HOJA: 1

版本	ECO	编制	日期	批准	日期
E	0025575	A. ARREOLA	05-01-2012	D. BALDERRAMA	05-01-2012



SEE NOTE 2

MODEL NO.: F48SJ4L3  
 CUST. P/N: [ ]  
 HP: 1/3  
 ROT: CCWLE  
 RPM: 1625/3 SPD.  
 TYPE: UF  
 FRAME: 48Y  
 VOLTS: 208-230  
 PH: 1  
 AMPS: 2.0 (2.8 MAX.)  
 HZ: 60  
 INS: A  
 AMB: 50°C  
 DUTY: AIR OVER  
 CAP.: 5 MFD/370V  
 ENCL: SEMI-ENCL.  
 CSA LOGO  
 UL LOGO  
 THERMALLY PROTECTED



614131-106

	29[737]/31[787]	
	35[889]/37[940]	.25[6.4]
	35[889]/37[940]	.25[6.4]
	35[889]/37[940]	.60[15.2]
	35[889]/37[940]	.60[15.2]
	35[889]/37[940]	.60[15.2]
	35[889]/37[940]	.60[15.2]


CUST . DISTRIBUTION SERVICES

C23010	25.2 OZ. FT.	EX11259	E46412	PRGY2	LR43341	260-0-0

- 形位公差
- 平面度
- 直线度
- ∠ 倾斜度
- ⊥ 垂直度
- // 平行度
- 圆度
- ⊘ 圆柱度
- △ 面轮廓度
- ∩ 线轮廓度
- ↗ 圆跳动
- ⊕ 位置度
- ⊙ 同轴度
- ≡ 对称度

ASME Y14.5M 1994

REGAL-BELOIT CORPORATION (RBC) 在个别领域为客户提供技术支持。鉴于RBC未收到任何涉及电机使用和应用环境的数据，电机的适用性由客户自己决定。

未注公差尺寸仅供参考。

绘图: R. RHODUS 02-25-1997  
 批准: R. BROW 04-13-1995  
 第三角投影  
 机密: 本图纸及相关信息所有权归REGAL-BELOIT CORPORATION。未经REGAL-BELOIT CORPORATION书面授权, 不得泄露、复制、传播或作其他用途。—版权所有



名称: MODEL-RFHP-48FR OUTLINE  
 图幅: C 图号: 11773-030  
 比例: NONE 页号: 1