

4

3

2

1

GENERAL INFORMATION:

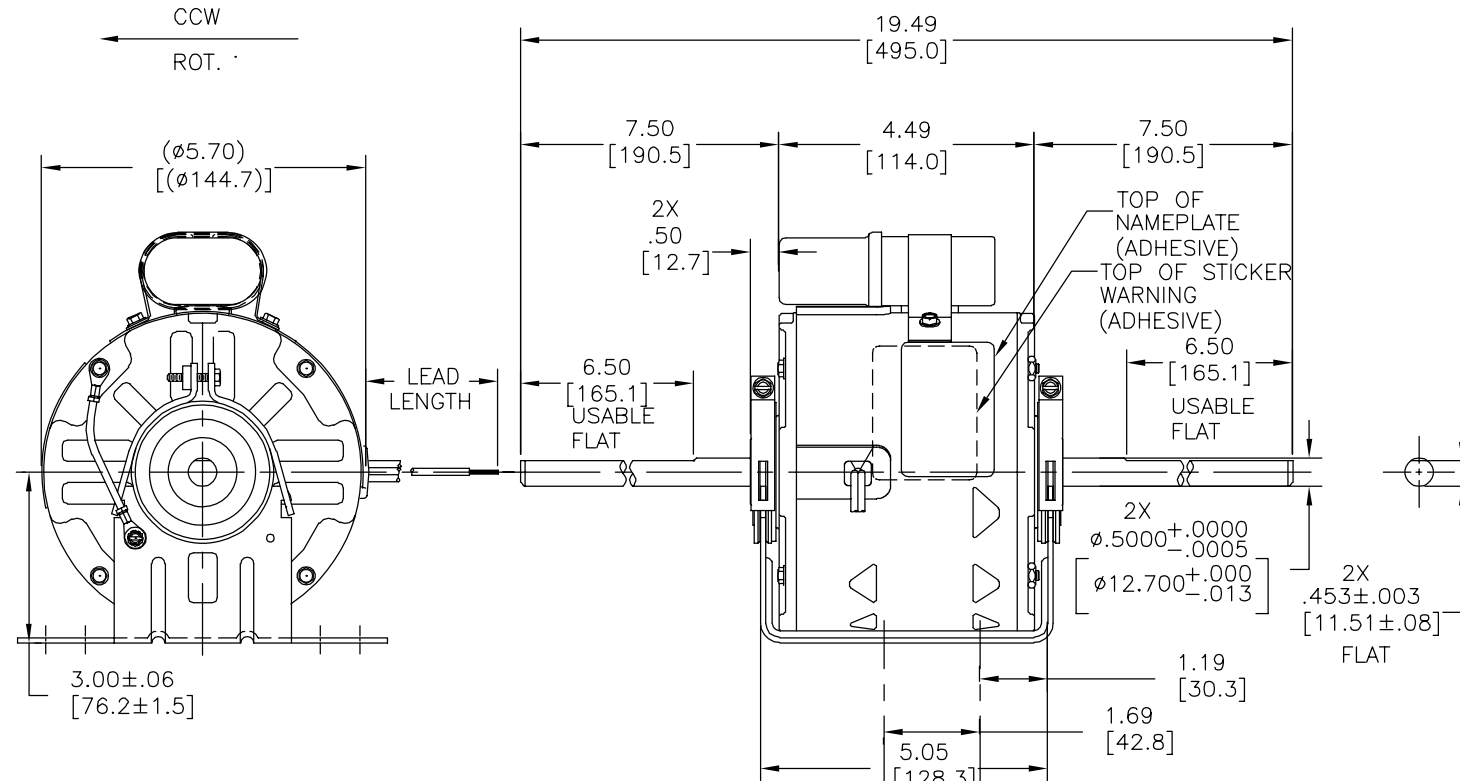
SHAFT RUNOUT: .001[.03] T.I.R. PER INCH LENGTH OF EXTENSION.
 END PLAY: .010 TO .063 [.25 TO 16.0]
 BEARINGS: SLEEVE
 MOUNTING POSITION: HORIZONTAL

ELECTRICAL DATA:

OVERLOAD PROTECTOR: AUTOMATIC RESET (T.I. 7AM 036)
 LEADS: NO. 18 GA., .03[.8] THK., 125°C INSUL.
 GROUND LEAD: NO. 18 GA., .03[.8] THK., GREEN INSUL.

NOTES:
 1. DISTRIBUTION: CUST. P/N: DSB1034H
 GRAINGER: CUST. P/N: 4UU35

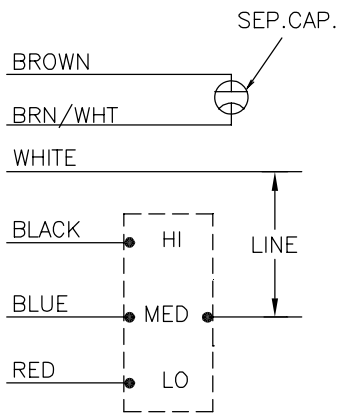
REV	ECO	REV BY	DATE	APPD	DATE
B	0025543	A. ARREOLA	04-26-2012	D.BALDERRAMA	04-26-2011



NAMEPLATE DATA:

EXTERNAL CONNECTION DIAGRAM

MODEL NO.: F48V78A01
 CUST. P/N: []
 HP: 1/3
 ROT: CCWLE
 RPM: 1625/3 SPD
 TYPE: UF
 FRAME: 48Y
 VOLTS: 230
 PH: 1
 AMPS: 2.0
 HZ: 60
 INS: B
 AMB: 40 °C
 DUTY: AIR OVER
 CAP.: 7.5 MFD/370V
 ENCL: SEMI-ENCL
 UL & CSA LOGO
 THERMALLY PROTECTED



GREEN (GRD)	CONNECTED TO BASE	#10 EYELET
BROWN	CONNECTED TO BASE	.25[6.4] FLAG
BROWN/WHITE	CONNECTED TO BASE	.25[6.4] FLAG
WHITE	21.5/23.5[546/597]	.50[12.7] SKIN
BLACK	21.5/23.5[546/597]	.50[12.7] SKIN
BLUE	21.5/23.5[546/597]	.50[12.7] SKIN
RED	21.5/23.5[546/597]	.50[12.7] SKIN

COLOR	LENGTH	TERMINAL OR STRIP LENGTH
-------	--------	--------------------------

MAIN FRAME - OLE	SEMI-ENCLOSED
END FRAME - OLE	OPEN
MAIN FRAME - LE	SEMI-ENCLOSED
END FRAME - LE	OPEN

CUSTOMER	DISTRIBUTION SERVICES
----------	-----------------------

PERFORMANCE CURVE NO.	TORQUE @1625 RPM (25°C)	APPROVED SAMPLE	UL COMPONENT FILE #	CCN #	CSA FILE #	CLASS #
C32405	21.1 OZ. FT.	0443456B	E46412	PRGY2	LR43341	4211-01

GEOMETRIC CHARACTERISTICS & SYMBOLS
 ▽ FLATNESS
 — STRAIGHTNESS
 < ANGLARITY
 ⊥ PERPENDICULARITY (SQUARENESS)
 ∥ PARALLELISM
 ○ ROUNDNESS (CIRCULARITY)
 ∅ CYLINDRICITY
 △ PROFILE OF ANY SURFACE
 ∩ PROFILE OF ANY LINE
 ↗ RUNOUT
 ⊕ TRUE POSITION
 ⊙ CONCENTRICITY
 = SYMMETRY
 ASME Y14.5M 1994

REGAL-BELOIT CORPORATION (RBC) PROVIDES TECHNICAL ASSISTANCE TO OUR CUSTOMERS IN SEVERAL AREAS. SINCE RBC DOES NOT RECEIVE ALL DATA CONCERNING THE USE AND APPLICATION OF THE MOTOR, THE SUITABILITY OF THE MOTOR FOR THE APPLICATION MUST BE DETERMINED BY THE CUSTOMER.
 DIMENSIONS WITHOUT TOLERANCES ARE FOR REFERENCE ONLY.

DR BY: DZ 02-21-2011
 APPD: DZ 02-21-2011
 THIRD ANGLE PROJECTION
 EDS DATE 11-11-2011
 FORMAT REV G
 CONFIDENTIAL: THIS DRAWING AND ITS INFORMATION ARE THE EXCLUSIVE AND CONFIDENTIAL PROPERTY OF REGAL-BELOIT CORPORATION AND ARE NOT TO BE DISCLOSED, DUPLICATED, DISTRIBUTED OR OTHERWISE USED WITHOUT THE WRITTEN CONSENT OF REGAL-BELOIT CORPORATION. -ALL RIGHTS RESERVED.

REGAL-BELOIT CORPORATION

DESCRIPTION: MODEL-RFHP-48FR OUTLINE

SIZE: C DWG NO: F48V78A01

SCALE: NONE SHEET: 1

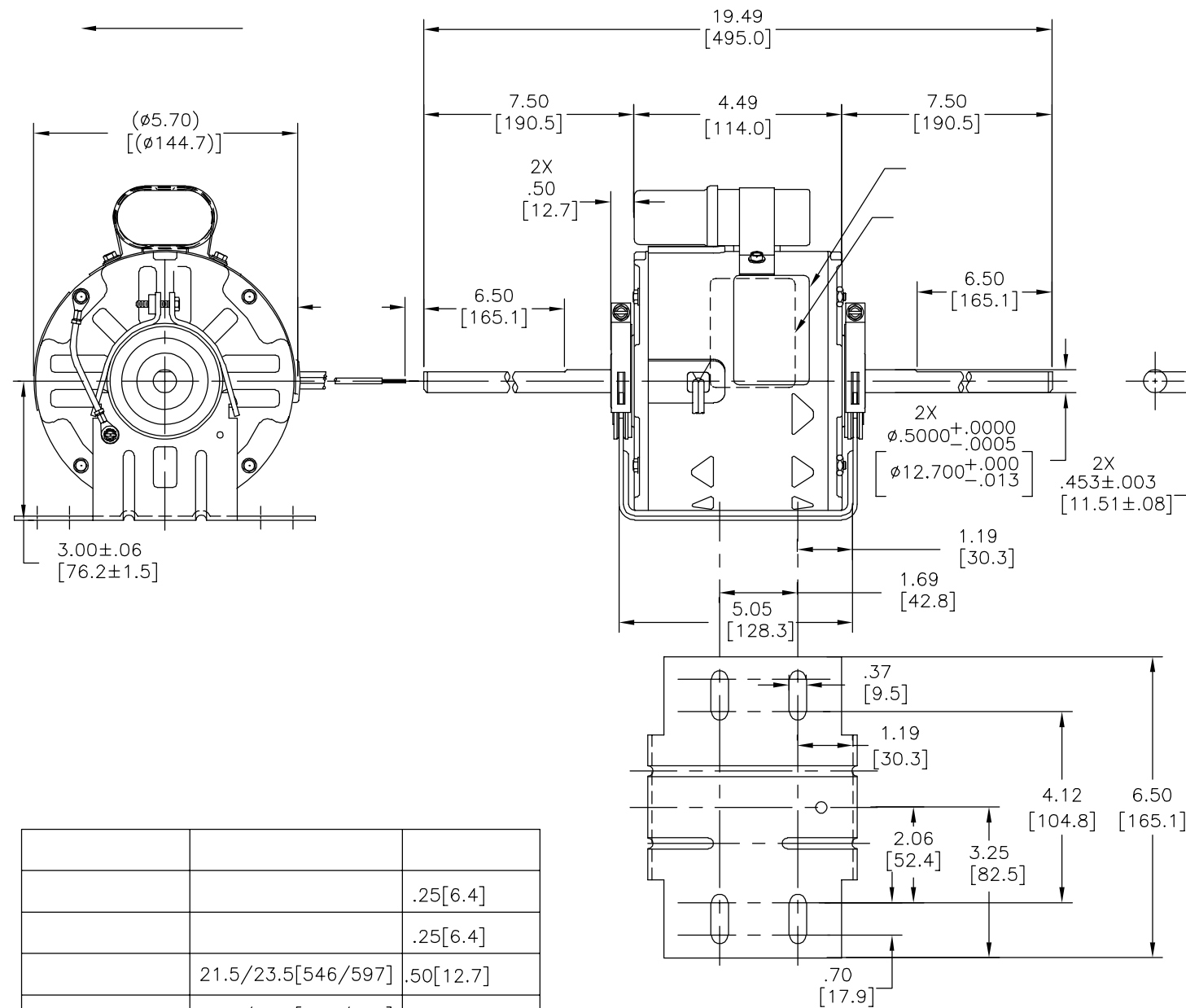
4

3

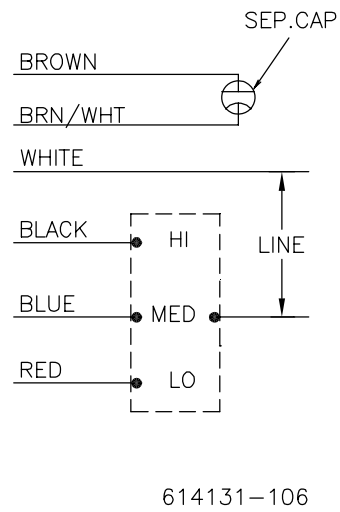
2

1

REVISION:	ECO	REVISADO POR:	FECHA:	APROBADO POR:	FECHA:
B	0025543	A. ARREOLA	04-26-2012	D.BALDERRAMA	04-26-2011



MODEL NO.: F48V78A01
 CUST. P/N:
 HP: 1/3
 ROT: CCWLE
 RPM: 1625/3 SPD
 TYPE: UF
 FRAME: 48Y
 VOLTS: 230
 PH: 1
 AMPS: 2.0
 HZ: 60
 INS: B
 AMB: 40 °C
 DUTY: AIR OVER
 CAP.: 7.5 MFD/370V
 ENCL: SEMI-ENCL
 UL & CSA LOGO
 THERMALLY PROTECTED



614131-106

CSA

C32405 21.1 OZ. FT. 0443456B E46412 PRGY2 LR43341 4211-01

CARACTERISTICAS DE GEOMETRIA Y SIMBOLOS
 ▧ PLANICIDAD
 — RECTITUD
 < ANGULARIDAD
 ⊥ PERPENDICULARIDAD (A ESCUADRA)
 // PARALELISMO
 ○ REDONDEZ (CIRCULARIDAD)
 ∅ CILINDRICIDAD
 △ PERFIL DE CUALQUIER SUPERFICIE
 ∩ PERFIL DE CUALQUIER LINEA
 ↗ VARIACION
 ⊕ POSICION REAL
 ⊙ CONCENTRICIDAD
 = SIMETRIA
 ASME Y14.5M 1994

REGAL-BELOIT CORPORATION (RBC)
 PROVEE ASISTENCIA TECNICA A NUESTROS CLIENTES EN VARIAS AREAS. DESDE QUE RBC NO RECIBE TODOS LOS DATOS EN RELACION AL USO Y A LA APLICACION DEL MOTOR, LA APLICACION ADECUADA DEL MOTOR DEBE SER DETERMINADA POR EL CLIENTE.

DIMENSIONES SIN TOLERANCIA SON DE REFERENCIA SOLAMENTE

DIBUJADO POR: DZ 02-21-2011
 APROBADO POR: DZ 02-21-2011
 TERCER ANGULO DE PROYECCION
 FECHA EDS: 11-11-2011
 REV. FORMATO: G

CONFIDENCIAL: ESTE DIBUJO Y SU INFORMACION SON PROPIEDAD DE USO EXCLUSIVO Y CONFIDENCIAL DE REGAL-BELOIT CORPORATION. Y NO DEBERAN SER REVELADOS, DUPLICADOS, DISTRIBUIDOS O USARSE DE OTRA MANERA SIN EL CONSENTIMIENTO ESCRITO DE REGAL-BELOIT CORPORATION. -TODOS LOS DERECHOS RESERVADOS.



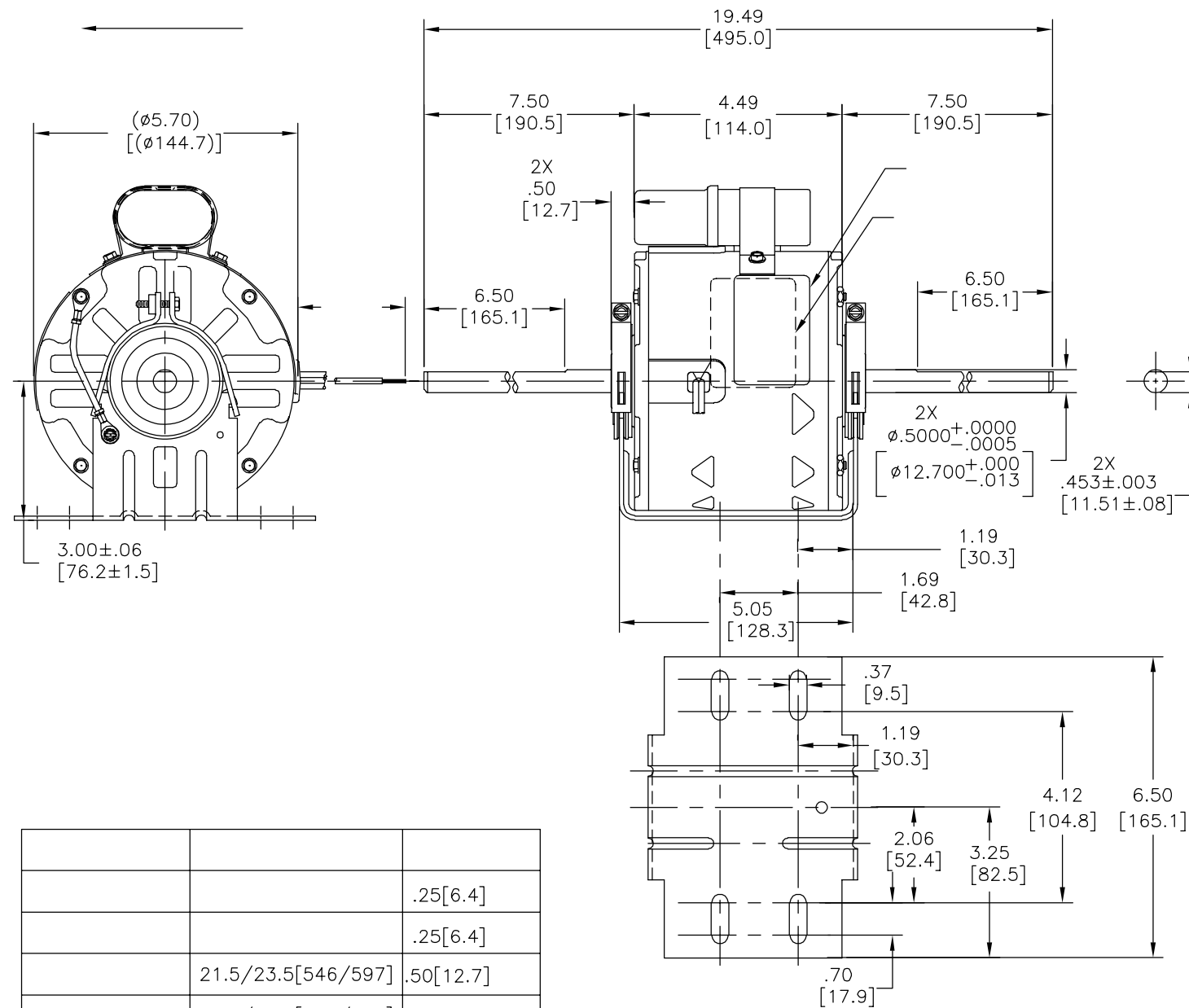
DESCRIPCION: MODEL-RFHP-48FR OUTLINE

TAMAÑO: C NUMERO DE DIBUJO: F48V78A01

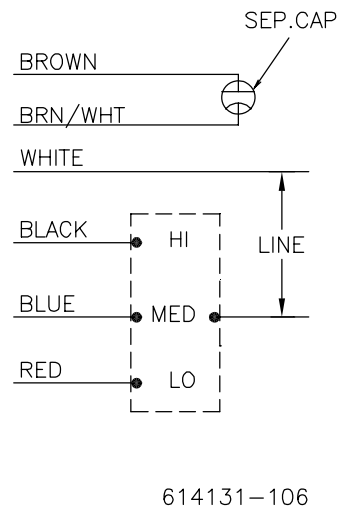
ESCALA: NONE HOJA: 1

DISTRIBUTION SERVICES

版本	ECO	编制	日期	批准	日期
B	0025543	A. ARREOLA	04-26-2012	D.BALDERRAMA	04-26-2011



MODEL NO.: F48V78A01
 CUST. P/N:
 HP: 1/3
 ROT: CCWLE
 RPM: 1625/3 SPD
 TYPE: UF
 FRAME: 48Y
 VOLTS: 230
 PH: 1
 AMPS: 2.0
 HZ: 60
 INS: B
 AMB: 40 °C
 DUTY: AIR OVER
 CAP.: 7.5 MFD/370V
 ENCL: SEMI-ENCL
 UL & CSA LOGO
 THERMALLY PROTECTED



		.25[6.4]
		.25[6.4]
	21.5/23.5[546/597]	.50[12.7]
	21.5/23.5[546/597]	.50[12.7]
	21.5/23.5[546/597]	.50[12.7]
	21.5/23.5[546/597]	.50[12.7]

						CSA
C32405	21.1 OZ. FT.	0443456B	E46412	PRGY2	LR43341	4211-01

- 形位公差
- 平面度
- 直线度
- ∠ 倾斜度
- ⊥ 垂直度
- ∥ 平行度
- 圆度
- ⊘ 圆柱度
- ⊖ 面轮廓度
- ⊖ 线轮廓度
- ↗ 圆跳动
- ⊕ 位置度
- ⊙ 同轴度
- ≡ 对称度

ASME Y14.5M 1994

REGAL-BELOIT CORPORATION (RBC) 在个别领域为客户提供技术支持。鉴于RBC未收到任何涉及电机使用和应用环境的数据，电机的适用性由客户自己决定。
 未注公差尺寸仅供参考。

绘图:	DZ	02-21-2011
批准:	DZ	02-21-2011
第三角投影		图纸格式发布日期 11-11-2011 图纸格式版本 G
机密: 本图纸及相关信息所有权归REGAL-BELOIT CORPORATION。未经REGAL-BELOIT CORPORATION书面授权, 不得泄露、复制、传播或作其他用途。—版权所有		

名称 MODEL-RFHP-48FR OUTLINE	
图幅 C	图号 F48V78A01
比例 NONE	页号 1

4

3

2

1

4

3

2

1