

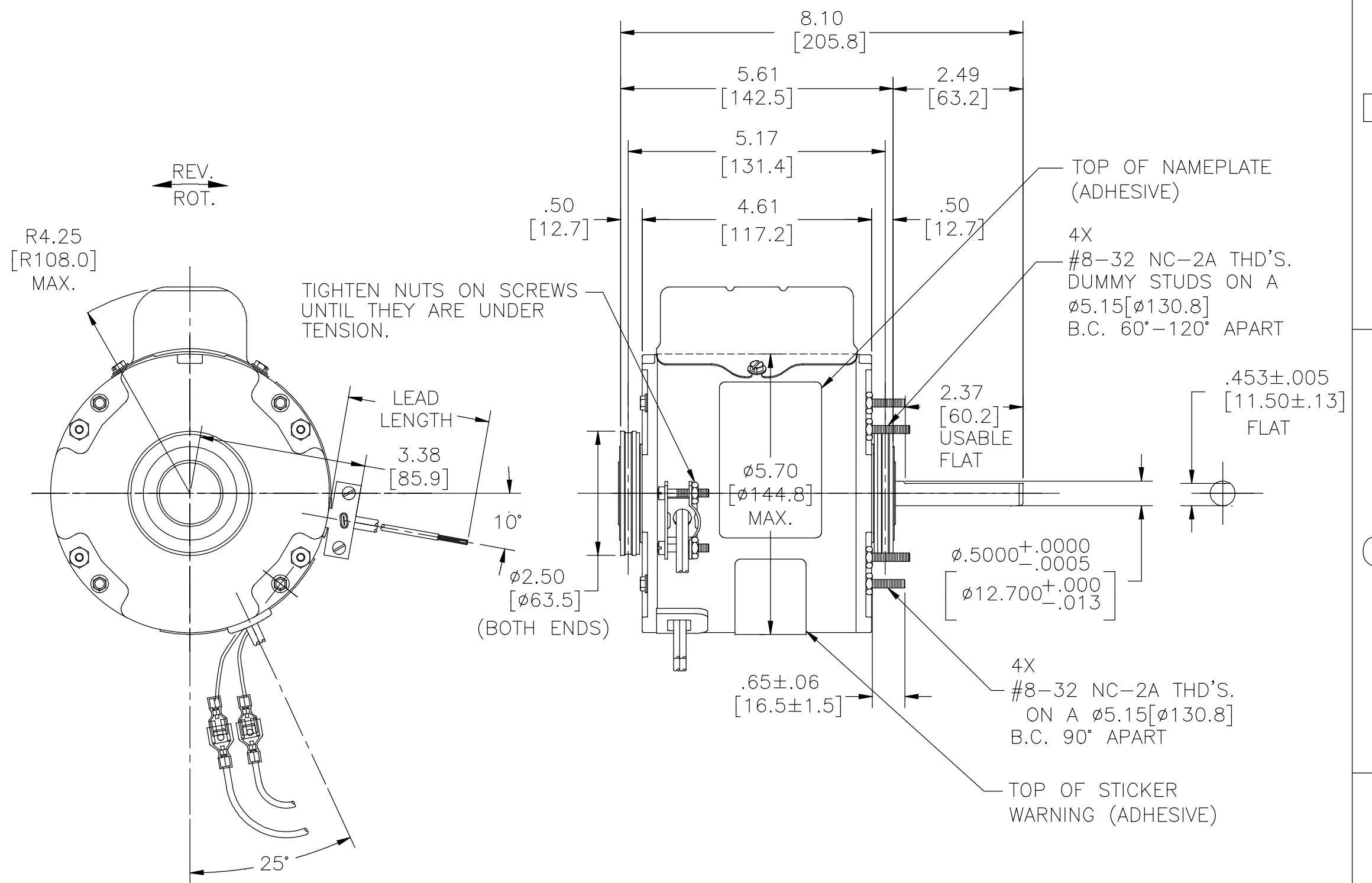
GENERAL INFORMATION:

SHAFT RUNOUT: .001[.03] T.I.R. PER INCH LENGTH OF EXTENSION.
 END PLAY: .010[.25] TO .063[1.60]
 BEARINGS: SLEEVE
 MOUNTING POSITION: HORIZONTAL

ELECTRICAL DATA:

OVERLOAD PROTECTOR: AUTOMATIC RESET (T.I. 7AM 032)

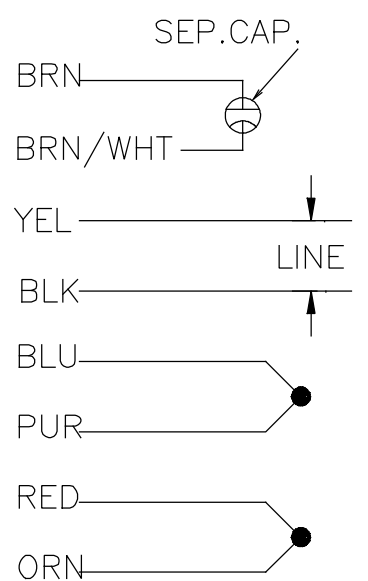
LEADS: NO. 18 GA., .03[.8] THK. XLP, 125°C INSUL.



NAMEPLATE DATA:

MODEL NO.: F48E60A01
 CUST. P/N: US1036NB
 HP: 1/3
 ROT.: REVERSIBLE
 RPM: 1075
 TYPE: UF
 FRAME: 48Y
 VOLTS: 115
 PH: 1
 AMPS: 5.3
 HZ: 60
 INS.: A
 AMB.: 40° C
 DUTY: AIR OVER
 CAP.: 5 MFD/370V
 ENCL: ENCLOSED
 CSA LOGO
 UL LOGO
 THERMALLY PROTECTED

EXTERNAL CONNECTION DIAGRAM



SHOWN FOR CCWLE ROT.
 FOR CWLE INTERCHANGE
 PUR. & ORN LEADS

614131-124

BLUE	5.0/7.0 [127/178]	PRE-INSUL. FEMALE SPADE TERM.
PURPLE	5.0/7.0 [127/178]	PRE-INSUL. MALE TAB TERM.
RED	5.0/7.0 [127/178]	PRE-INSUL. FEMALE SPADE TERM.
ORANGE	5.0/7.0 [127/178]	PRE-INSUL. MALE TAB TERM.
BROWN/WHITE	CONNECTED TO CAPACITOR	.25[6.4] FLAG
BROWN	CONNECTED TO CAPACITOR	.25[6.4] FLAG
BLACK	58.0/62.0 [1473/1575]	.60[15.2] SKIN
YELLOW	58.0/62.0 [1473/1575]	.60[15.2] SKIN
COLOR	LENGTH	TERMINAL OR STRIP LENGTH

LEAD DATA

MAIN FRAME - OLE	ENCLOSED
END FRAME - OLE	ENCLOSED
MAIN FRAME - LE	ENCLOSED
END FRAME - LE	ENCLOSED

ENCLOSURE

CUSTOMER	DISTRIBUTION SERVICE
----------	----------------------

NOTE:
 (1) MOTOR SHIPPED CONNECTED FOR CCWLE ROTATION.

DRAWING REVISION	REVISION BY	DATE
G	NANCY LIU	10-18-2018
ECO	APPROVED BY	DATE
ECO-0155006	TRICIA NIEDERHOLTMAYER	10-18-2018
ECO DESCRIPTION		
SEE ECO		

COPYRIGHT REGAL BELOIT AMERICA, INC. ALL RIGHTS RESERVED. PROPRIETARY AND CONFIDENTIAL INFORMATION - THIS DOCUMENT IS THE PROPERTY OF REGAL BELOIT AMERICA, INC. (OWNER) AND CONTAINS OWNER'S PROPRIETARY INFORMATION. ANY PERSON, CORPORATION OR OTHER FIRM RECEIVING IT IS DEEMED, BY RECEIVING IT, TO AGREE THAT IT, AND/OR ANY PART OF IT, SHALL NOT BE DISCLOSED TO ANY PERSON, CORPORATION OR OTHER ENTITY, DUPLICATED, AND/OR USED, EXCEPT AS EXPRESSLY APPROVED IN WRITING IN ADVANCE BY OWNER. THIS DOCUMENT SHALL BE RETURNED TO OWNER UPON REQUEST. IT MAY BE SUBJECT TO CERTAIN RESTRICTIONS UNDER APPLICABLE EXPORT CONTROL LAWS AND REGULATIONS.

DRAWN BY:	C.ZHANG
DATE:	02-16-2012
APPROVED BY:	B.C.SHEN
DATE:	02-16-2012
PROCESS/FINISH	

REGAL Regal Beloit America, Inc.

DESCRIPTION
 MODEL-RFHP-48FR
 OUTLINE

MATERIAL
 -
 SIZE DWG NO
 C US1036NB

SHEET
 1