

4

3

2

1

REV	ECO	REV BY	DATE	APPD	DATE
D	0025525	E.SINECIO	04-23-2012	R.RASCON	04-23-2012

GENERAL INFORMATION:

SHAFT RUNOUT: .001 [.03] T.I.R. PER INCH LENGTH OF EXTENSION

END PLAY: .010 TO .063 [.25 TO 1.60]

BEARINGS: SLEEVE

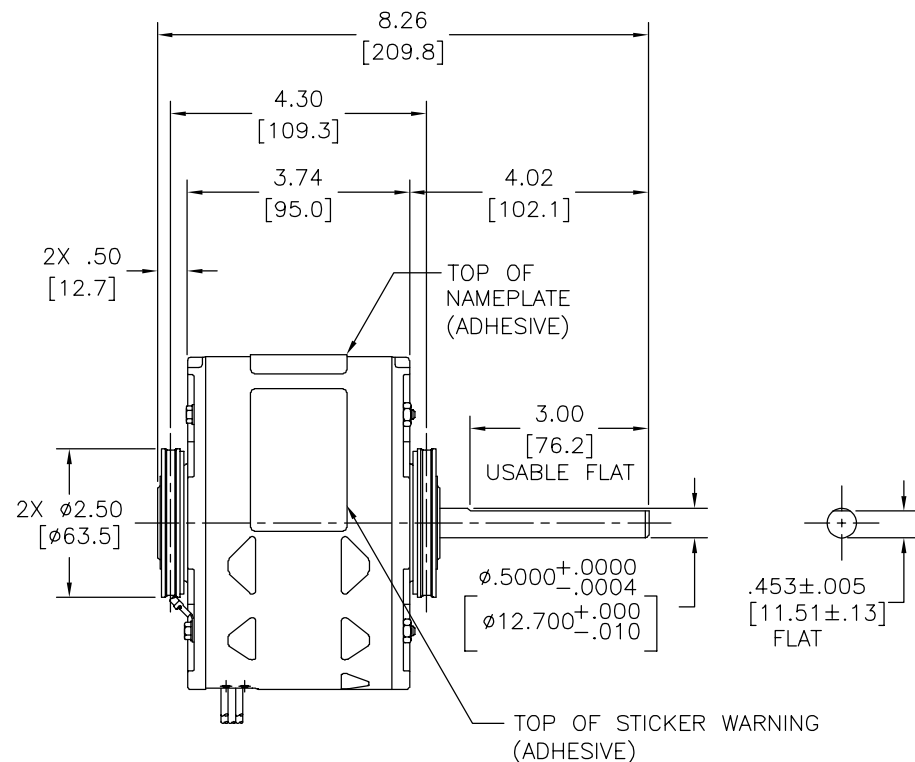
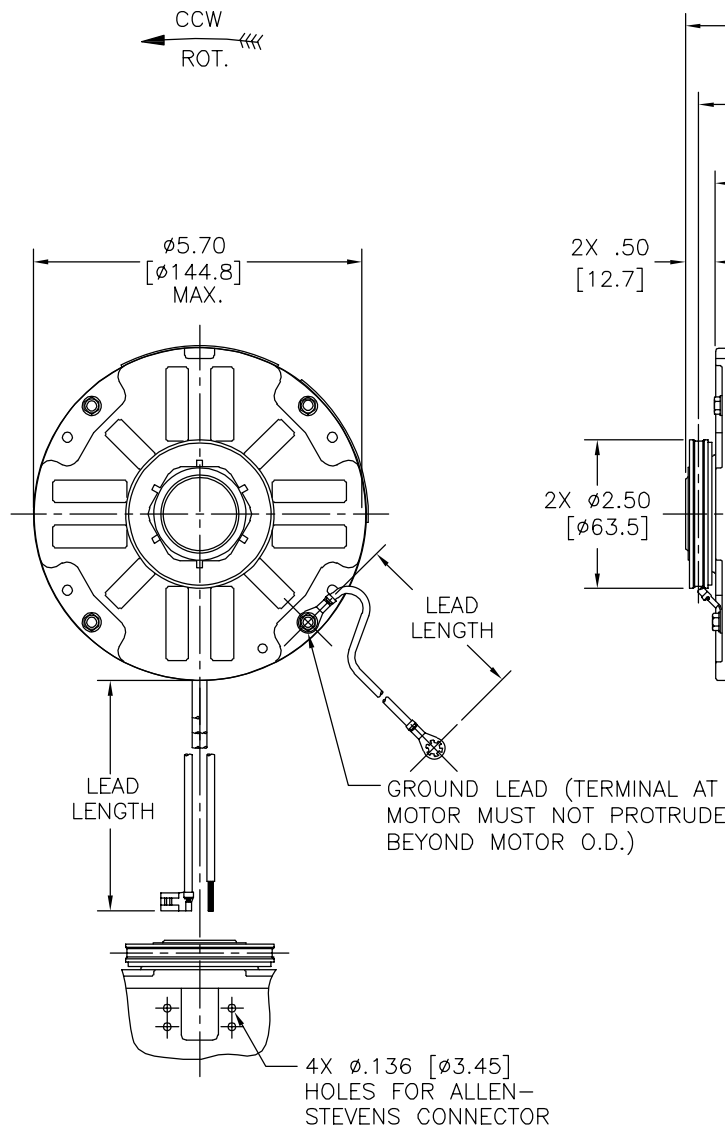
MOUNTING POSITION: HORIZONTAL

ELECTRICAL DATA:

OVERLOAD PROTECTOR: AUTOMATIC RESET (T.I. 7AM 036)

LEADS: NO. 18 GA., .06 [1.5] THK. XLP 125°C INSUL.

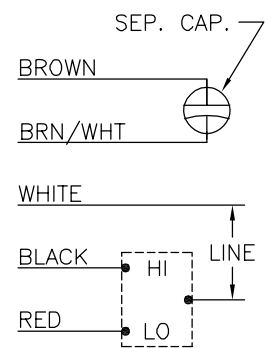
GROUND LEAD: NO. 16 GA., .03 [.8] THK. (GREEN/YELLOW) INSUL.



NAMEPLATE DATA:

EXTERNAL CONNECTION DIAGRAM

MODEL NO.: F48Z73A01
 CUST. P/N: 446A
 HP: 1/6, 1/8
 ROT.: CCWLE
 RPM: 1050/2 SPD
 TYPE: UF
 FRAME: 48Y
 VOLTS: 208-230
 PH: 1
 AMPS: 1.0, .6
 HZ: 60
 INS.: B
 AMB.: 40° C
 DUTY: AIR OVER
 CAP.: 5 MFD/370 V
 ENCL: SEMI-ENCL.
 UL LOGO
 CSA LOGO
 THERMALLY PROTECTED



614131-253

COLOR	LENGTH	TERMINAL OR STRIP LENGTH
GREEN/YELLOW (GROUND)	11.0/13.0 [279/330]	#10 EYELET
BROWN	29.0/31.0 [737/787]	.25 [6.4] FLAG
BROWN/WHITE	29.0/31.0 [737/787]	.25 [6.4] FLAG
WHITE	29.0/31.0 [737/787]	.50 [12.7] SKIN
BLACK	29.0/31.0 [737/787]	.50 [12.7] SKIN
RED	29.0/31.0 [737/787]	.50 [12.7] SKIN

LEAD DATA

MAIN FRAME - OLE	SEMI-ENCL.
END FRAME - OLE	OPEN
MAIN FRAME - LE	SEMI-ENCL.
END FRAME - LE	OPEN

CUSTOMER	DISTRIBUTION SERVICE
----------	----------------------

PERFORMANCE CURVE NO.	TORQUE @ 1050 RPM (25°C)	APPROVED SAMPLE	UL COMPONENT FILE #	CCN #	CSA FILE #	CLASS #
C32742	14.0 OZ. FT.	0701086A	E46412	PRGY2	LR43341	4211-01

GEOMETRIC CHARACTERISTICS & SYMBOLS

- FLATNESS
- STRAIGHTNESS
- ANGULARITY
- PERPENDICULARITY (SQUARENESS)
- PARALLELISM
- ROUNDNESS (CIRCULARITY)
- CYLINDRICITY
- PROFILE OF ANY SURFACE
- PROFILE OF ANY LINE
- RUNOUT
- TRUE POSITION
- CONCENTRICITY
- SYMMETRY

ASME Y14.5M 1994

REGAL-BELOIT CORPORATION (RBC) PROVIDES TECHNICAL ASSISTANCE TO OUR CUSTOMERS IN SEVERAL AREAS. SINCE RBC DOES NOT RECEIVE ALL DATA CONCERNING THE USE AND APPLICATION OF THE MOTOR, THE SUITABILITY OF THE MOTOR FOR THE APPLICATION MUST BE DETERMINED BY THE CUSTOMER.

DIMENSIONS WITHOUT TOLERANCES ARE FOR REFERENCE ONLY.

DR BY: J.RUPPERT 07-24-2007

APPD: J.DOSEC 04-24-2007

THIRD ANGLE PROJECTION

EDS DATE 02-22-2008
 FORMAT REV G

CONFIDENTIAL: THIS DRAWING AND ITS INFORMATION ARE THE EXCLUSIVE AND CONFIDENTIAL PROPERTY OF REGAL-BELOIT CORPORATION AND ARE NOT TO BE DISCLOSED, DUPLICATED, DISTRIBUTED OR OTHERWISE USED WITHOUT THE WRITTEN CONSENT OF REGAL-BELOIT CORPORATION. -ALL RIGHTS RESERVED.



DESCRIPTION	MODEL-RFHP-48FR OUTLINE
SIZE	C
DWG NO	F48Z73A01
SCALE	NONE
SHEET	1

4

3

2

1

4

3

2

1

REVISION:	ECO	REVISADO POR:	FECHA:	APROBADO POR:	FECHA:
D	0025525	E.SINECIO	04-23-2012	R.RASCON	04-23-2012

INFORMACION GENERAL:

OSCILACION DE FLECHA: .001 [.03] T.I.R. PER INCH LENGTH OF EXTENSION

JUEGO AXIAL: .010 A .063 [.25 A 1.60]

BALEROS: CHUMACERA RIGIDA

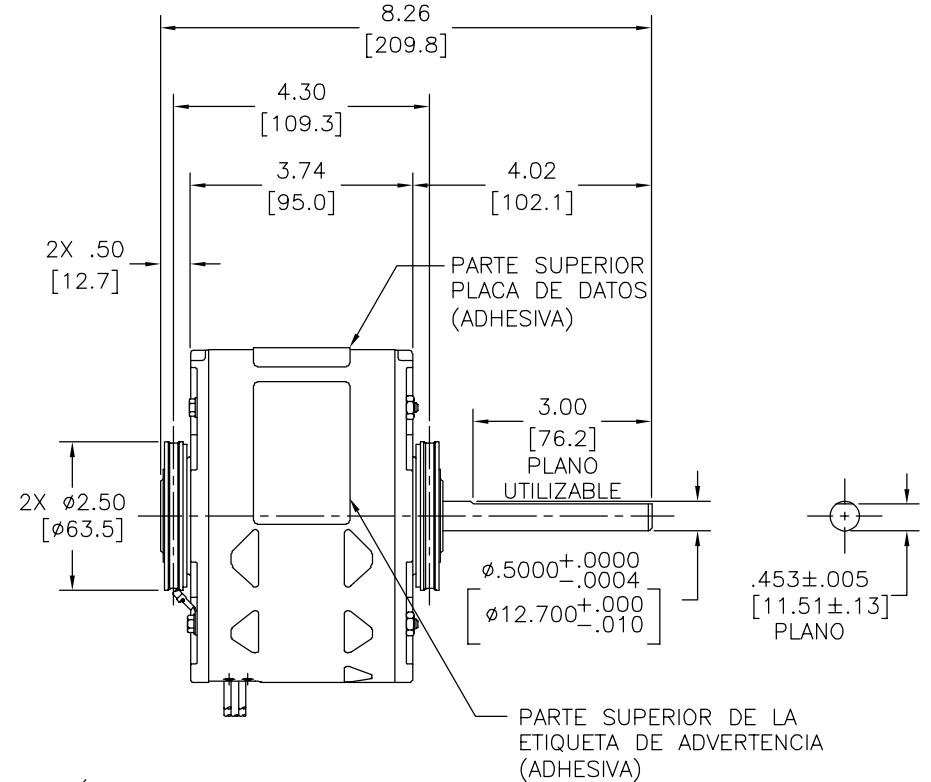
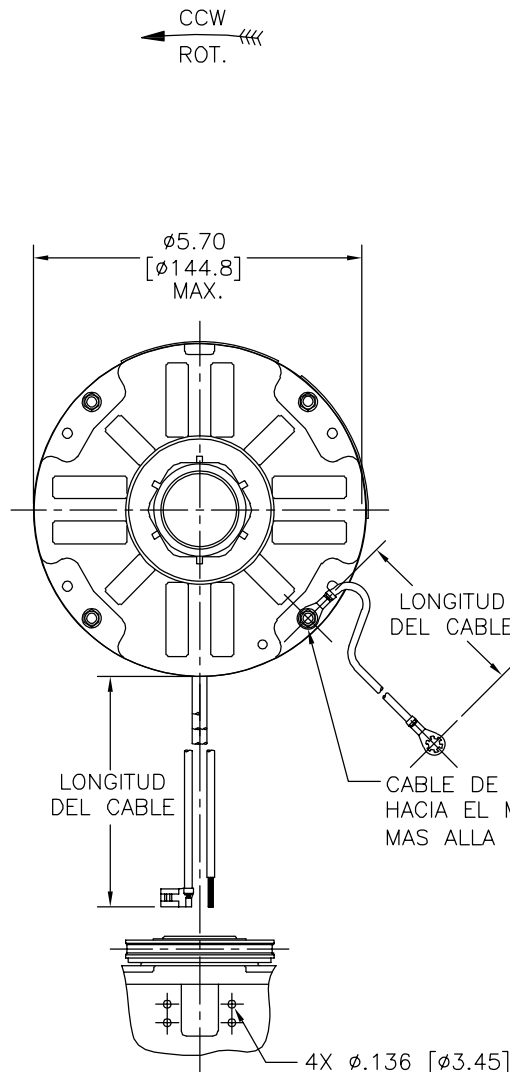
POSICION DEL MONTAJE: HORIZONTAL

INFORMACION ELECTRICA:

PROTECTOR DE SOBRECARGA: REINICIO AUTOMATIC (T.I. 7AM 036)

CABLES: NO. 18 GA., .06 [1.5] THK. XLP 125°C AISLAM.

CABLE DE TIERRA: NO. 16 GA., .03 [.8] THK. (VERDE/AMARILLO) AISLAM.



VERDE/AMARILLO (TIERRA)	11.0/13.0 [279/330]	OJAL #10
CAFE	29.0/31.0 [737/787]	.25 [6.4] BANDERA
CAFE/BLANCO	29.0/31.0 [737/787]	.25 [6.4] BANDERA
BLANCO	29.0/31.0 [737/787]	.50 [12.7] DEL PIEL
NEGRO	29.0/31.0 [737/787]	.50 [12.7] DEL PIEL
ROJO	29.0/31.0 [737/787]	.50 [12.7] DEL PIEL
COLOR	LONGITUD	TERMINAL O LONGITUD DE DESFORRE

CARCASA - LOC	SEMI-ENCERRADO
TAPA - LOC	ABIERTA
CARCASA - LC	SEMI-ENCERRADO
TAPA - LC	ABIERTA

CLIENTE	DISTRIBUTION SERVICE
---------	----------------------

INFORMACION DE ETIQUETA:	DIAGRAMA DE CONEXION EXTRNA
MODEL NO.: F48Z73A01 CUST. P/N: 446A HP: 1/6, 1/8 ROT.: CCWLE RPM: 1050/2 SPD TYPE: UF FRAME: 48Y VOLTS: 208-230 PH: 1 AMPS: 1.0, .6 HZ: 60 INS.: B AMB.: 40° C DUTY: AIR OVER CAP.: 5 MFD/370 V ENCL: SEMI-ENCL. UL LOGO CSA LOGO THERMALLY PROTECTED	

614131-253

CURVAS DE FUNCIONAMIENTO	TORSION @ 1050 RPM (25°C)	MUESTRA APROBADA	COMPONENTE UL	CSA
C32742	14.0 OZ. FT.	0701086A	#ARCHIVO PRGY2	CLASE # 4211-01

- CARACTERISTICAS DE GEOMETRIA Y SIMBOLOS
- PLANICIDAD
 - RECTITUD
 - ∠ ANGULARIDAD
 - ⊥ PERPENDICULARIDAD (A ESCUADRA)
 - // PARALELISMO
 - REDONDEZ (CIRCULARIDAD)
 - ∅ CILINDRICIDAD
 - △ PERFIL DE CUALQUIER SUPERFICIE
 - ∧ PERFIL DE CUALQUIER LINEA
 - ∩ VARIACION
 - ⊕ POSICION REAL
 - ⊙ CONCENTRICIDAD
 - ≡ SIMETRIA
- ASME Y14.5M 1994

REGAL-BELOIT CORPORATION (RBC) PROVEE ASISTENCIA TECNICA A NUESTROS CLIENTES EN VARIAS AREAS, DESDE QUE RBC NO RECIBE TODOS LOS DATOS EN RELACION AL USO Y A LA APLICACION DEL MOTOR, LA APLICACION ADECUADA DEL MOTOR DEBE SER DETERMINADA POR EL CLIENTE.

DIMENSIONES SIN TOLERANCIA SON DE REFERENCIA SOLAMENTE

DIBUJADO POR: J.RUPPERT 07-24-2007

APROBADO POR: J.DOSEC 04-24-2007

TERCER ANGULO DE PROYECCION

FECHA EDS: 02-22-2008
REV. FORMATO: G

CONFIDENCIAL: ESTE DIBUJO Y SU INFORMACION SON PROPIEDAD DE USO EXCLUSIVO Y CONFIDENCIAL DE REGAL-BELOIT CORPORATION. Y NO DEBERAN SER REVELADOS, DUPLICADOS, DISTRIBUIDOS O USARSE DE OTRA MANERA SIN EL CONSENTIMIENTO ESCRITO DE REGAL-BELOIT CORPORATION. -TODOS LOS DERECHOS RESERVADOS.

REGAL-BELOIT CORPORATION

DESCRIPCION: MODEL-RFHP-48FR OUTLINE

TAMAÑO: C NUMERO DE DIBUJO: F48Z73A01

ESCALA: NONE HOJA: 1

4

3

2

1

4

3

2

1

总技术要求:

轴跳动: .001[.03]/1[25.4]外伸轴

端部窜动量: .010 到 .063 [.25 到 1.60]

轴承: 含油轴承

安装位置: 水平

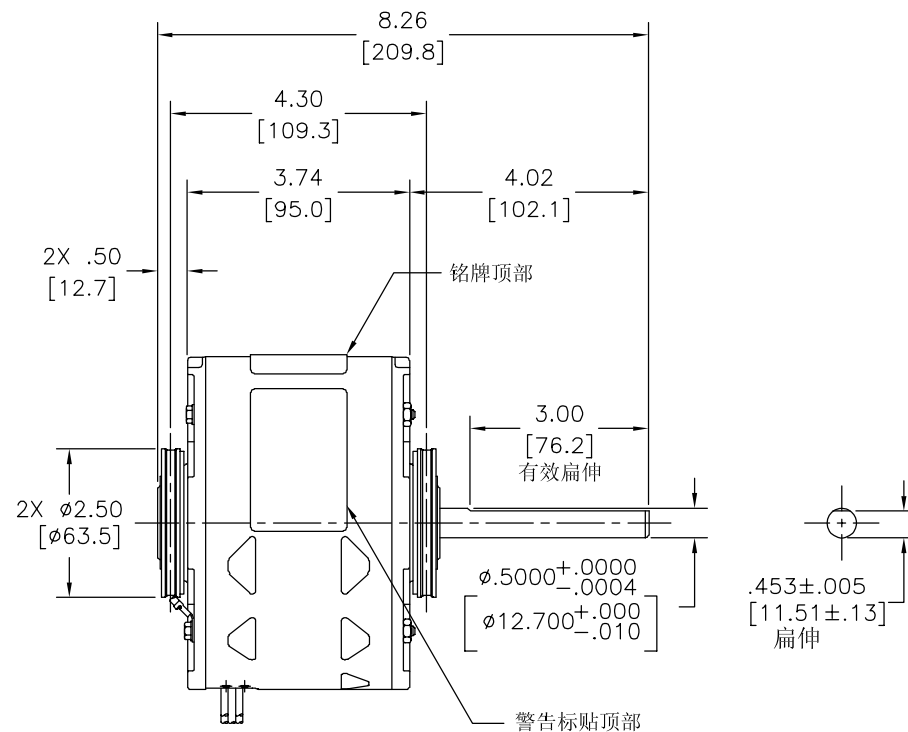
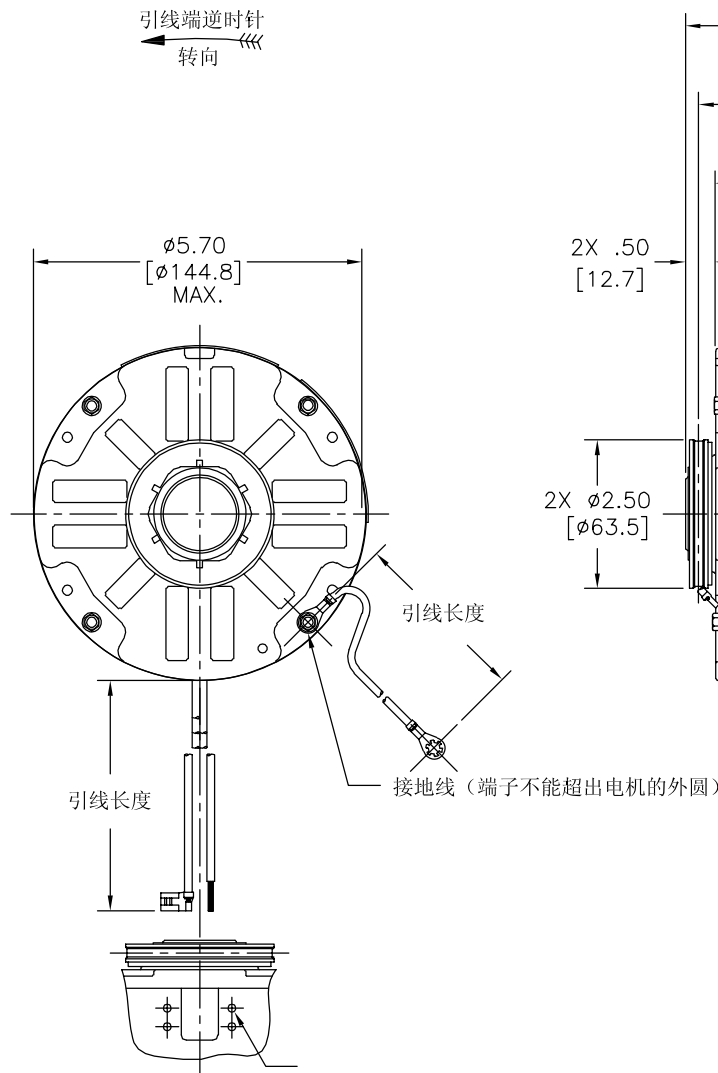
电气数据:

过载保护: 自动复位 (T.I. 7AM 036)

引线: 18# (美制标准), 厚.06[1.5] XLP 125° C 绝缘

接地线: 16# (美制标准), 厚.03[0.8]绿色绝缘

版本	ECO	编制	日期	批准	日期
D	0025525	E.SINECIO	04-23-2012	R.RASCON	04-23-2012



绿色 (接地线)	11.0/13.0 [279/330]	#10金属圈
棕	29.0/31.0 [737/787]	.25 [6.4] 旗形插
棕/白	29.0/31.0 [737/787]	.25 [6.4] 旗形插
白	29.0/31.0 [737/787]	.50 [12.7]剥皮
黑	29.0/31.0 [737/787]	.50 [12.7]剥皮
红	29.0/31.0 [737/787]	.50 [12.7]剥皮
颜色	长度	端子或剥线长度

无引线端机壳	
无引线端端盖	开放
有引线端机壳	
有引线端端盖	开放

用户	DISTRIBUTION SERVICE
----	----------------------

REGAL-BELOIT CORPORATION (RBC) 在个别领域为客户提供技术支持。鉴于RBC未收到任何涉及电机使用和应用环境的数据, 电机的适用性由客户自己决定。

未注公差尺寸仅供参考。

绘图: J.RUPPERT 07-24-2007
批准: J.DOSEC 04-24-2007
第三角投影
图纸格式发布日期 02-22-2008
图纸格式版本 G
机密: 本图纸及相关信息所有权归REGAL-BELOIT CORPORATION。未经REGAL-BELOIT CORPORATION书面授权, 不得泄露、复制、传播或作其他用途。—版权所有

名称: MODEL-RFHP-48FR OUTLINE
图幅: C 图号: F48Z73A01
比例: NONE 页号: 1

铭牌数据	外部数据线
MODEL NO.: F48Z73A01 CUST. P/N: 446A HP: 1/6, 1/8 ROT.: CCWLE RPM: 1050/2 SPD TYPE: UF FRAME: 48Y VOLTS: 208-230 PH: 1 AMPS: 1.0, .6 HZ: 60 INS.: B AMB.: 40° C DUTY: AIR OVER CAP.: 5 MFD/370 V ENCL: SEMI-ENCL. UL LOGO CSA LOGO THERMALLY PROTECTED	SEP. CAP. BROWN BRN/WHT WHITE BLACK HI RED LO LINE

性能曲线编号	转矩在 1050 RPM 25° C	批准样品	UL部件		CSA	
C32742	14.0 OZ. FT.	0701086A	文件号	指南	文件号	指南
			E46412	PRGY2	LR43341	4211-01

- 形位公差
- 平面度
- 直线度
- ∠ 倾斜度
- ⊥ 垂直度
- // 平行度
- 圆度
- ⊘ 圆柱度
- △ 面轮廓度
- ∩ 线轮廓度
- ↗ 圆跳动
- ⊕ 位置度
- ⊙ 同轴度
- ≡ 对称度

ASME Y14.5M 1994

4

3

2

1

D

D

C

C

B

B

A

A