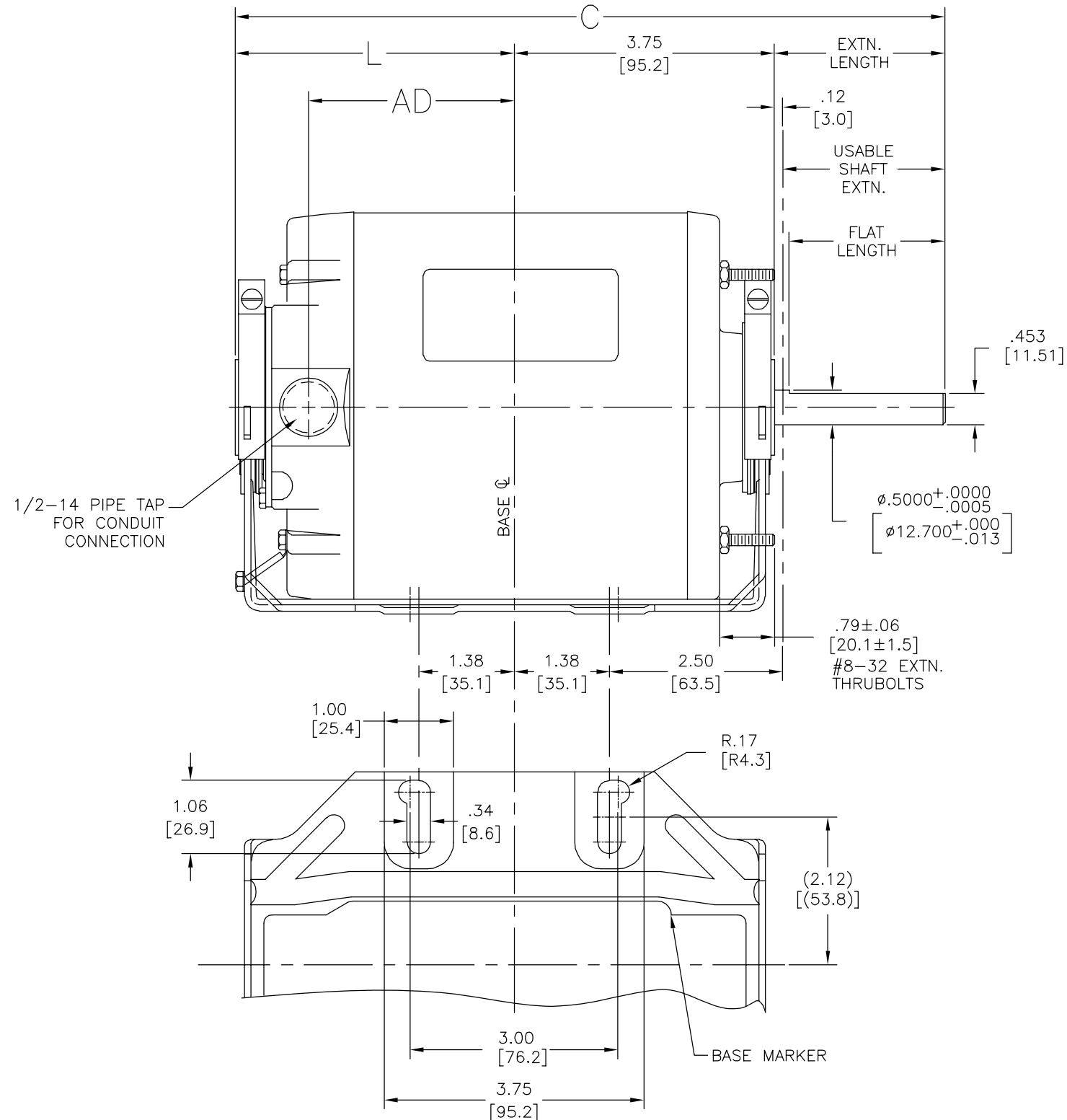
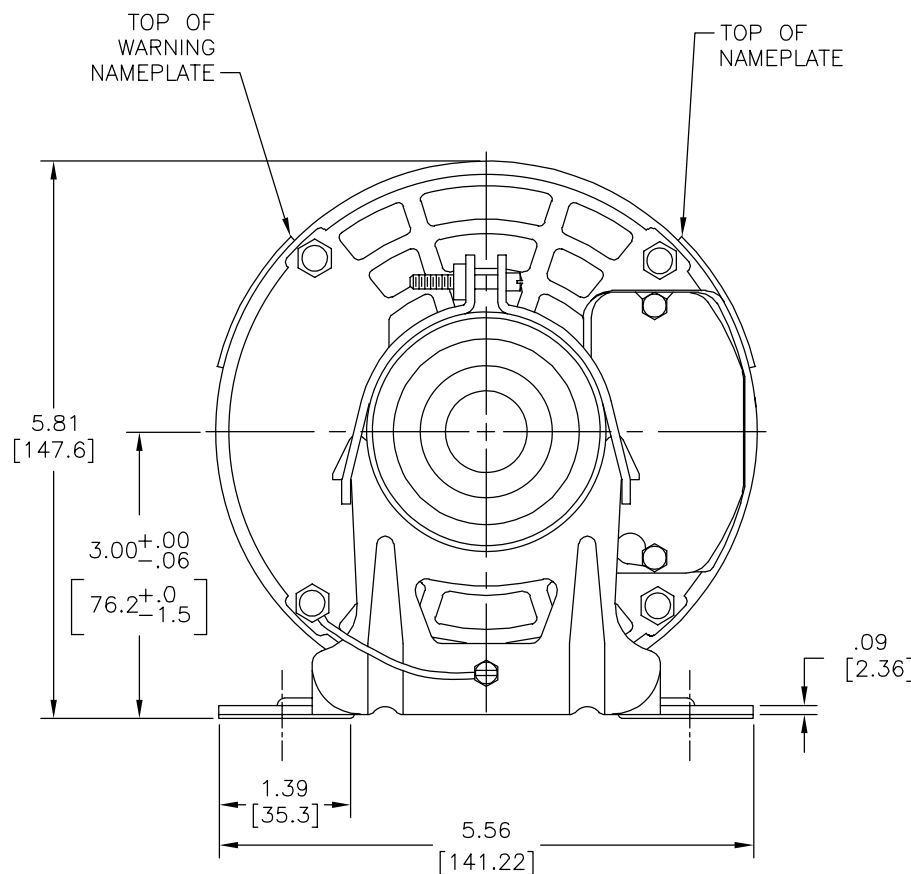


REV	ECO	REV BY	DATE	APPD	DATE
E	0025400	J.M.Ramirez	04-13-2012	R.Rascon	04-13-2012



FIRST MOTOR REF	GRAINGER MODEL NUMBER	FRAME LENGTH (REF)	C	L	AD	EXTN. LENGTH	FLAT LENGTH	USABLE SHAFT EXTN.
316P299		4.812 [122.22]	9.40 [162.6]	4.03 [102.4]	2.97 [75.4]	1.62 [41.1]	1.12 [28.4]	1.50 [38.1]
S48B57B74		4.812 [122.22]	9.40 [162.6]	4.03 [102.4]	2.97 [75.4]	1.62 [41.1]	1.12 [28.4]	1.50 [38.1]
RB2024		4.812 [122.22]	9.40 [162.6]	4.03 [102.4]	2.97 [75.4]	1.62 [41.1]	1.12 [28.4]	1.50 [38.1]
RB2014	4UE37	4.312 [109.52]	9.25 [235.0]	3.53 [89.7]	2.47 [62.7]	1.88 [47.8]	1.30 [33.0]	1.76 [44.7]

GEOMETRIC CHARACTERISTICS & SYMBOLS

- FLATNESS
- STRAIGHTNESS
- ∠ ANGULARITY
- ⊥ PERPENDICULARITY (SQUARENESS)
- // PARALLELISM
- ROUNDNESS (CIRCULARITY)
- ⊘ CYLINDRICITY
- △ PROFILE OF ANY SURFACE
- ∩ PROFILE OF ANY LINE
- ↯ RUNOUT
- ⊕ TRUE POSITION
- ◎ CONCENTRICITY
- ≡ SYMMETRY

ASME Y14.5M 1994

UNLESS OTHERWISE SPECIFIED DIM. TOLERANCES ARE AS FOLLOWS:

INCH X XX XXX XXXX
 ±.1 ±.02 ±.005 ±.0005
 mm ±0.5 ±0.13 ±0.013

ANG. ±.50 DEG

REMOVE BURRS & BREAK SHARP EDGES:
 INCH .003-.015 mm 0.1-0.4

CORNER FILLETS TO:
 INCH .020 mm 0.5

MACHINE SURFACES:
 INCH 125 mm 3.2

METRIC DIMS. SHOWN IN [BRACKETS]

DR BY: Rhodus 06-09-1992

APPD:

THIRD ANGLE PROJECTION

EDS DATE 11-11-2011
 FORMAT REV G

CONFIDENTIAL: THIS DRAWING AND ITS INFORMATION ARE THE EXCLUSIVE AND CONFIDENTIAL PROPERTY OF REGAL-BELOIT CORPORATION AND ARE NOT TO BE DISCLOSED, DUPLICATED, DISTRIBUTED OR OTHERWISE USED WITHOUT THE WRITTEN CONSENT OF REGAL-BELOIT CORPORATION. -ALL RIGHTS RESERVED.

REGAL-BELOIT CORPORATION

DESCRIPTION: MODEL-RFHP-48FR OUTLINE

SIZE C DWG NO 11668-010

SCALE NONE SHEET 1

