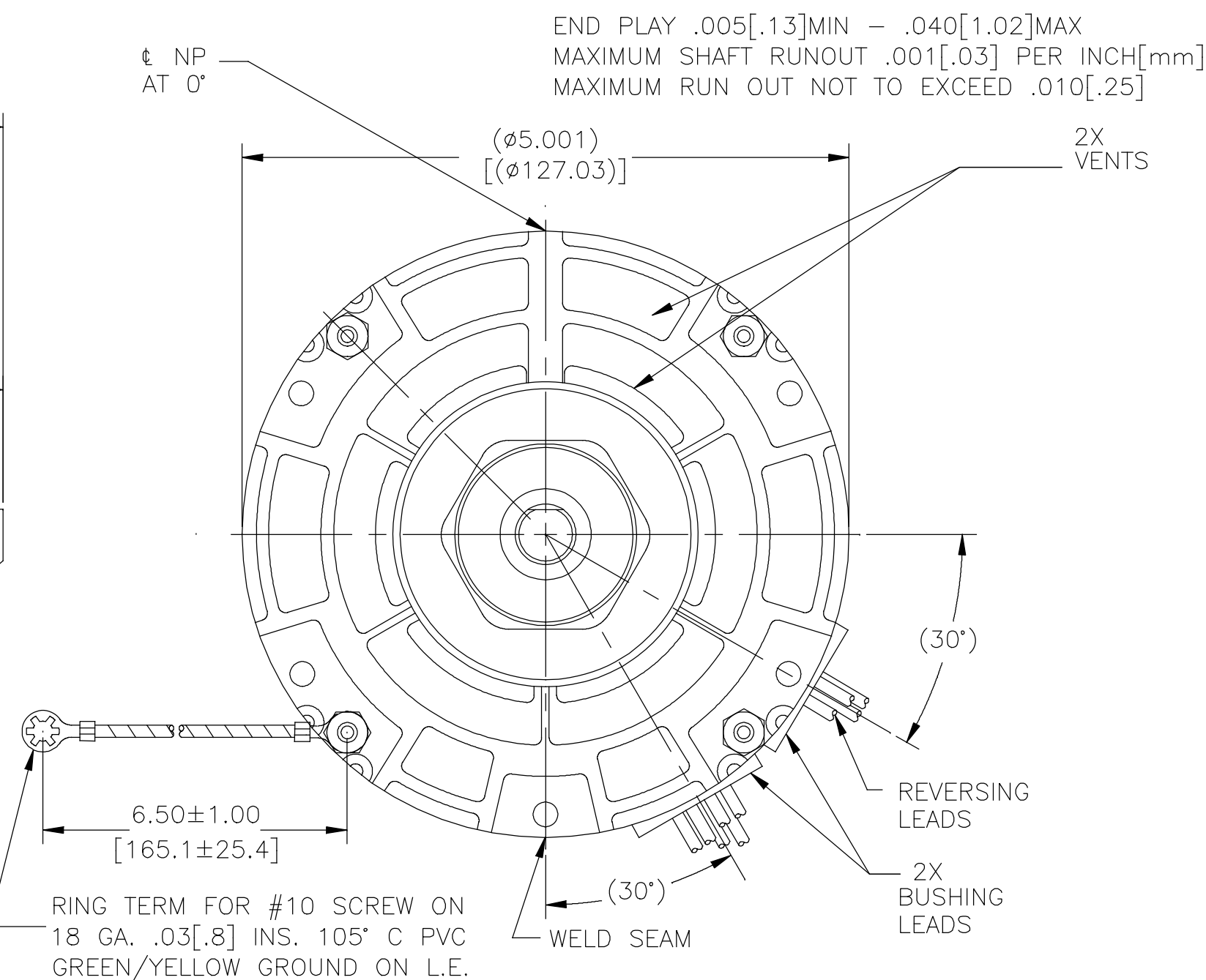
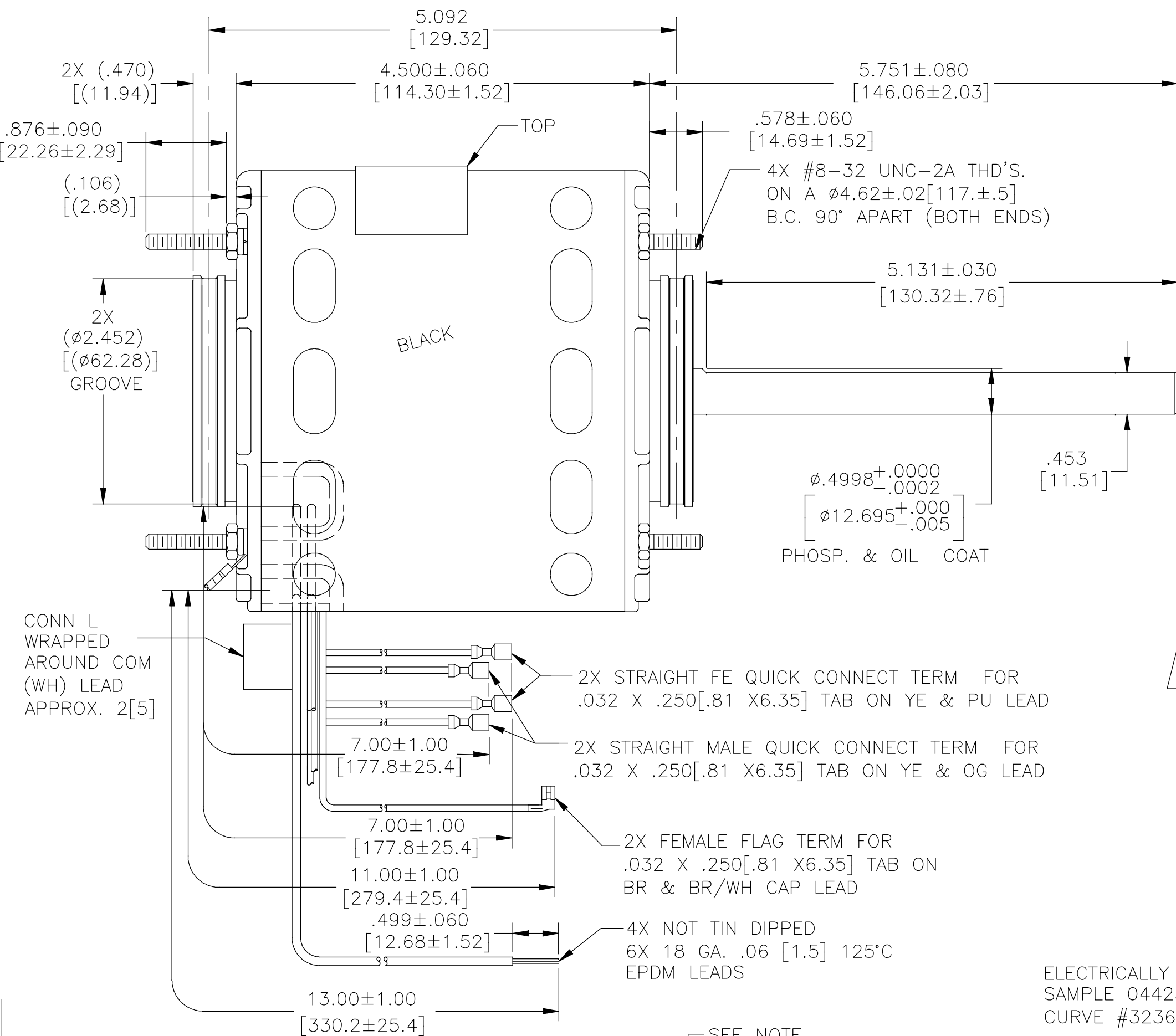


CUSTOMER IS SOLELY RESPONSIBLE FOR MOTOR PERFORMANCE AND SUITABILITY IN APPLICATIONS FOR CUSTOMER'S USES.



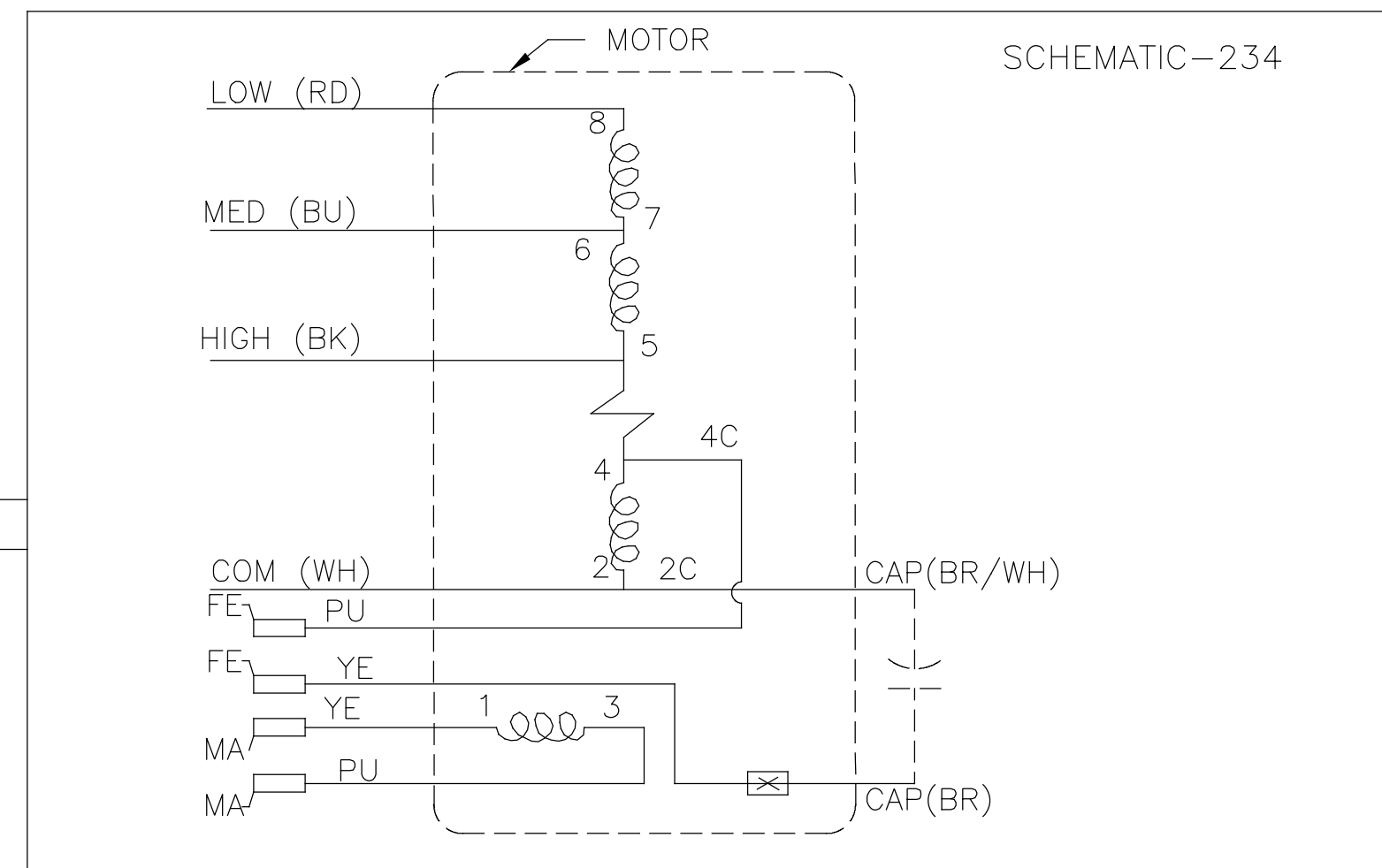
ROT.: REVERSIBLE
NAMEPLATE DATA:

TIPP CITY, OHIO
THERMALLY PROTECTED

SER. DATE & PO# PLT LTR MOD DE2E220N'
VOLTS 115 HZ 60 AMPS 1.9
RPM 1625 SP3 PH1 CAP 5MFD/370VAC
INS CLB AMB 40C HP 1/8 AO ← ROT REV →
BRG SLV ASSEMBLED IN MEXICO

CONN LABEL
63T7433-305

CCWLE	PLUG IN YELLOW LEAD TO PURPLE LEAD
CWLE	PLUG IN PURPLE LEAD TO PURPLE LEAD



NOTE:
DISTRIBUTION: CUST. P/N: 9712
GRAINGER: CUST. P/N: 4UY16

DRAWING REVISION G	REVISION BY HANNA.ZOU	DATE 07-25-2018	DRAWN BY: L.BERNAL DATE: 10-17-2012 APPROVED BY: A.BAUGHMAN DATE: 10-17-2012 PROCESS/FINISH	REGAL™ Regal Beloit America, Inc.
ECO ECO-0149422	APPROVED BY DEXIAN.LI	DATE 07-25-2018		
ECO DESCRIPTION SEE ECO	DESCRIPTION MODEL-RFHP-42FR OUTLINE			
THIRD ANGLE PROJECTION			SIZE DWG NO C DE2E7220	SHEET 1

COPYRIGHT REGAL BELOIT AMERICA, INC. ALL RIGHTS RESERVED. PROPRIETARY AND CONFIDENTIAL INFORMATION - THIS DOCUMENT IS THE PROPERTY OF REGAL BELOIT AMERICA, INC. (OWNER) AND CONTAINS OWNER'S PROPRIETARY INFORMATION. ANY PERSON, CORPORATION OR OTHER FIRM RECEIVING IT IS DEEMED, BY RECEIVING IT, TO AGREE THAT IT, AND/OR ANY PART OF IT, SHALL NOT BE DISCLOSED TO ANY PERSON, CORPORATION OR OTHER ENTITY, DUPLICATED, AND/OR USED, EXCEPT AS EXPRESSLY APPROVED IN WRITING IN ADVANCE BY OWNER. THIS DOCUMENT SHALL BE RETURNED TO OWNER UPON REQUEST. IT MAY BE SUBJECT TO CERTAIN RESTRICTIONS UNDER APPLICABLE EXPORT CONTROL LAWS AND REGULATIONS.