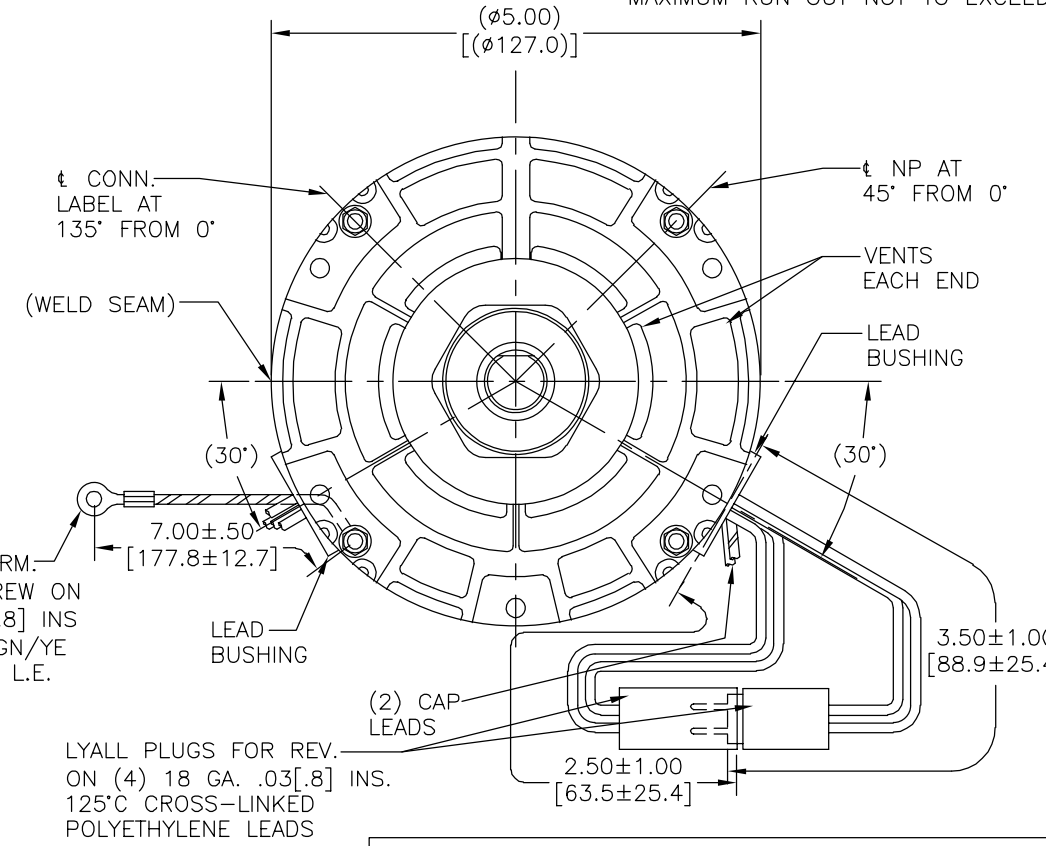
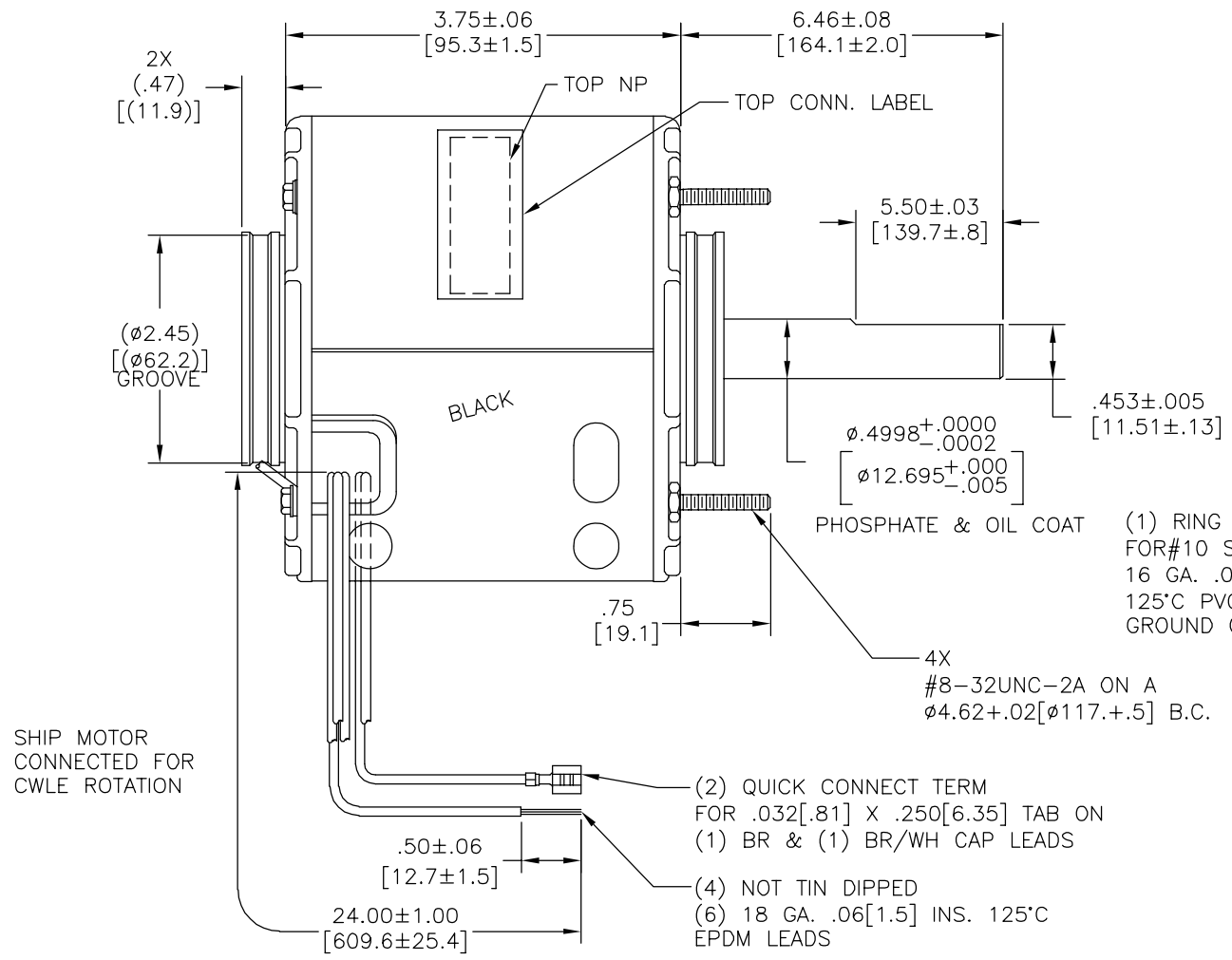


CUSTOMER IS SOLELY RESPONSIBLE FOR MOTOR PERFORMANCE AND SUITABILITY IN APPLICATIONS FOR CUSTOMER'S USES.

REV	ECO	REV BY	DATE	APPD	DATE
G	0029021	E.SINECIO	10-18-2012	G.ALVIDREZ	10-18-2012

ENDPLAY .005[.13] MIN - .040[1.02] MAX  
 MAXIMUM SHAFT RUNOUT .001[.03] PER INCH  
 MAXIMUM RUN OUT NOT TO EXCEED .010[.25]

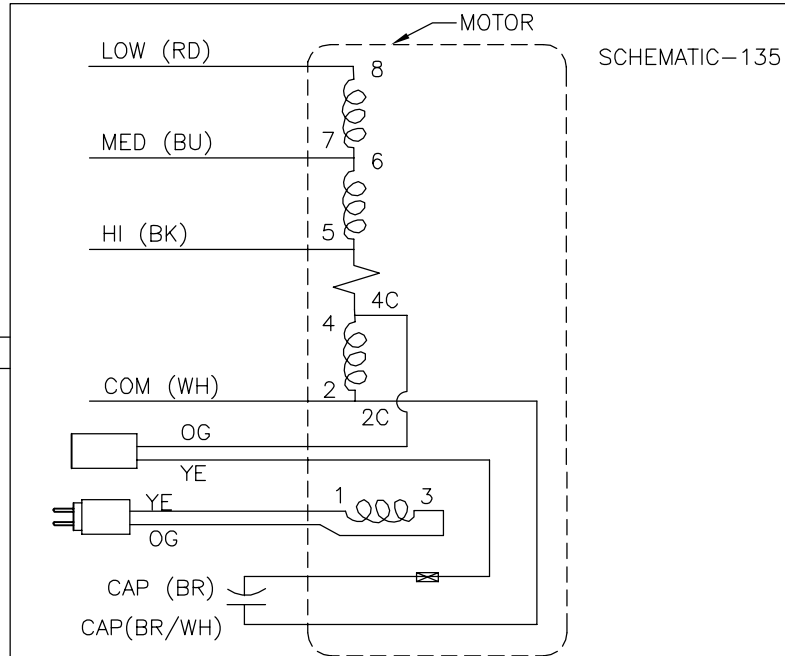


SHIP MOTOR CONNECTED FOR CWLE ROTATION

(1) RING TERM. FOR #10 SCREW ON 16 GA. .03[.8] INS 125°C PVC GN/YE GROUND ON L.E.

NOTE:  
 1. DISTRIBUTION PART NUMBER: 9644  
 GRAINGER PART NUMBER: 4MB16

ELECTRICALLY PER SAMPLE 0443047B CURVE # 32254



ROT.: - REVERSIBLE

NAMEPLATE DATA:

**Century** TIPP CITY, OHIO THERMALLY PROTECTED

SER. DATE & PO# PLT LTR MOD DE3E280N'

VOLTS 115 HZ 60 AMPS 2.5

RPM1075 SP PH 1 CAP 5MFD 370VAC

INS CLB AMB40°C HP CONT AO ← REV →

BRG SLV ASSEMBLED IN MEXICO

BK-HI 2.5A 1/8HP

BU-MED 1.6A 1/12HP

RD-LOW 1.3A 1/14HP

WH-COM BR & BR/WH CAP

CONN. LABEL 63T7432-18

GEOMETRIC CHARACTERISTICS & SYMBOLS	
□	FLATNESS
-	STRAIGHTNESS
∠	ANGULARITY
⊥	PERPENDICULARITY (SQUARENESS)
//	PARALLELISM
○	ROUNDNESS (CIRCULARITY)
⊘	CYLINDRICITY
△	PROFILE OF ANY SURFACE
∧	PROFILE OF ANY LINE
↗	RUNOUT
⊕	TRUE POSITION
◎	CONCENTRICITY
≡	SYMMETRY

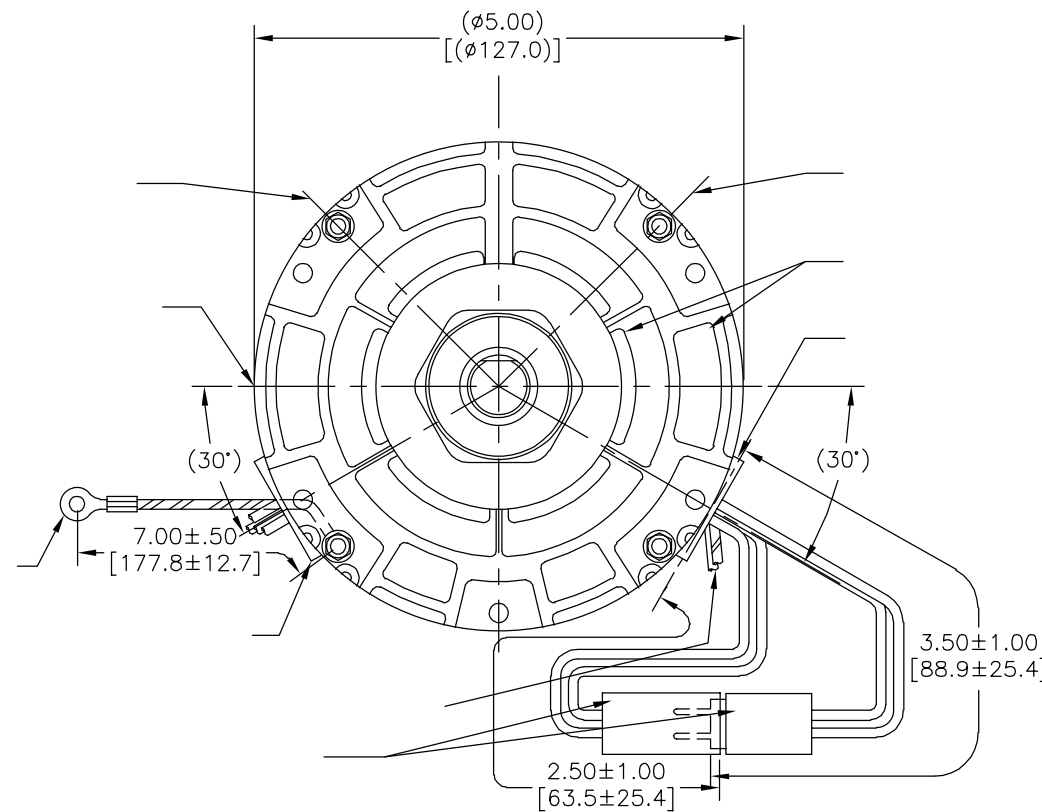
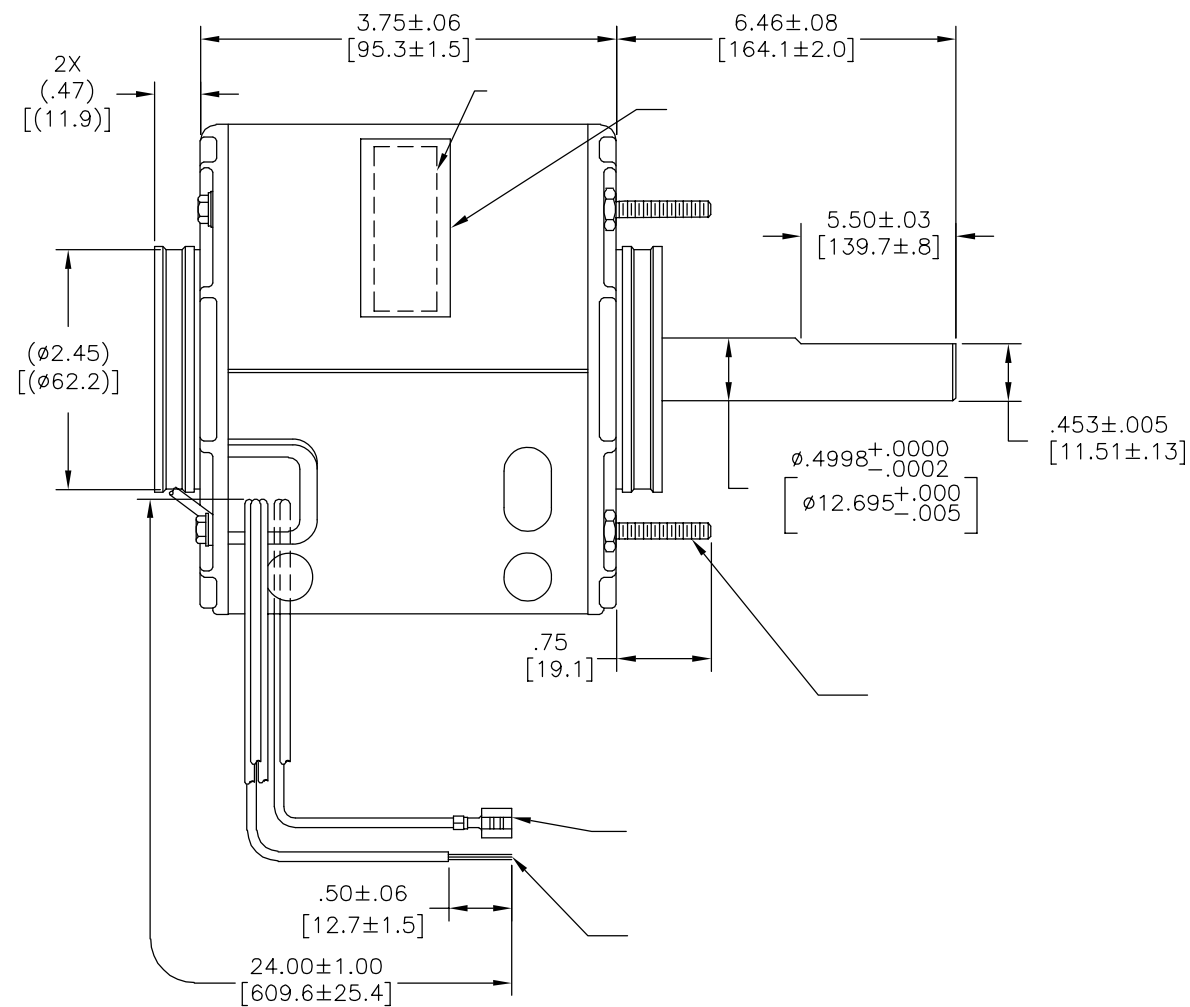
ASME Y14.5M 1994

UNLESS OTHERWISE SPECIFIED DIM. TOLERANCES ARE AS FOLLOWS:	
INCH	±.1 ±.02 ±.005 ±.0005
mm	±0.5 ±0.13 ±0.013
ANG. ±.50 DEG	
REMOVE BURRS & BREAK SHARP EDGES:	
INCH	.003-.015 mm 0.1-0.4
CORNER FILLETS TO:	
INCH	.020 mm 0.5
MACHINE SURFACES:	
INCH	125 mm 3.2
METRIC DIMS. SHOWN IN [BRACKETS]	

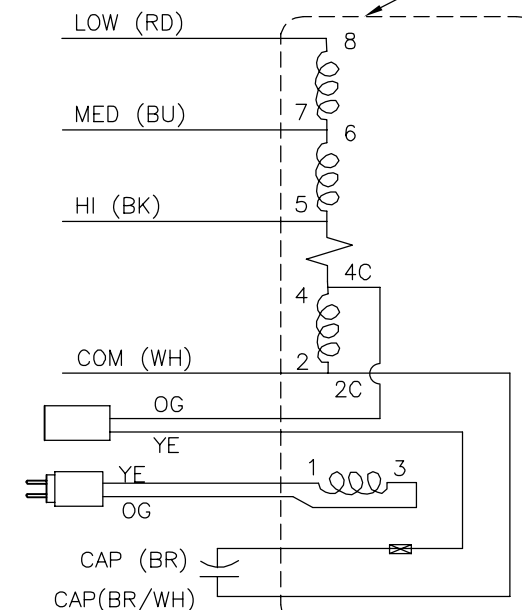
DR BY:	K.GORDON	07-22-2004
APPD:		
THIRD ANGLE PROJECTION	EDS DATE 11-11-2011	FORMAT REV H
CONFIDENTIAL: THIS DRAWING AND ITS INFORMATION ARE THE EXCLUSIVE AND CONFIDENTIAL PROPERTY OF REGAL-BELOIT CORPORATION AND ARE NOT TO BE DISCLOSED, DUPLICATED, DISTRIBUTED OR OTHERWISE USED WITHOUT THE WRITTEN CONSENT OF REGAL-BELOIT CORPORATION. -ALL RIGHTS RESERVED.		

<b>REGAL</b>	<b>REGAL-BELOIT CORPORATION</b>
DESCRIPTION	
MODEL-RFHP-42FR OUTLINE	
SIZE	C
DWG NO	DE3E7280
SCALE	NONE
SHEET	1

REVISION:	ECO	REVISADO POR:	FECHA:	APROBADO POR:	FECHA:
G	0029021	E.SINECIO	10-18-2012	G.ALVIDREZ	10-18-2012



**Century** TIPP CITY, OHIO THERMALLY PROTECTED  
 SER. DATE & PO# PLT LTR MOD DE3E280N  
 VOLTS 115 HZ 60 AMPS 2.5  
 RPM1075 SP PH 1 CAP 5MFD 370VAC  
 INS CLB AMB40°C HP CONT AO ←REV→  
 BRG SLV ASSEMBLED IN MEXICO  
 BK-HI 2.5A 1/8HP  
 BU-MED 1.6A 1/12HP  
 RD-LOW 1.3A 1/14HP  
 WH-COM BR & BR/WH CAP



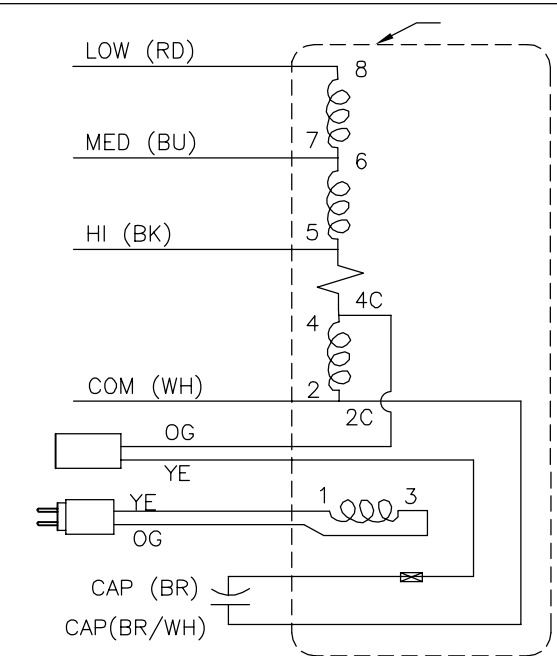
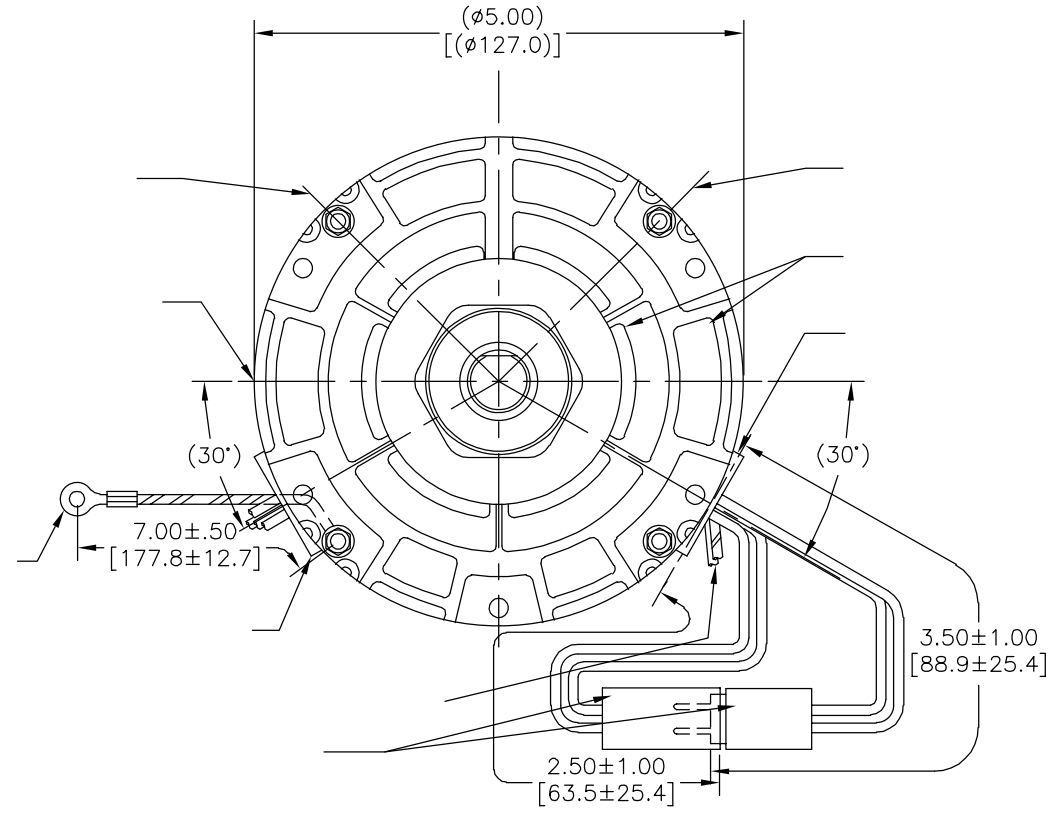
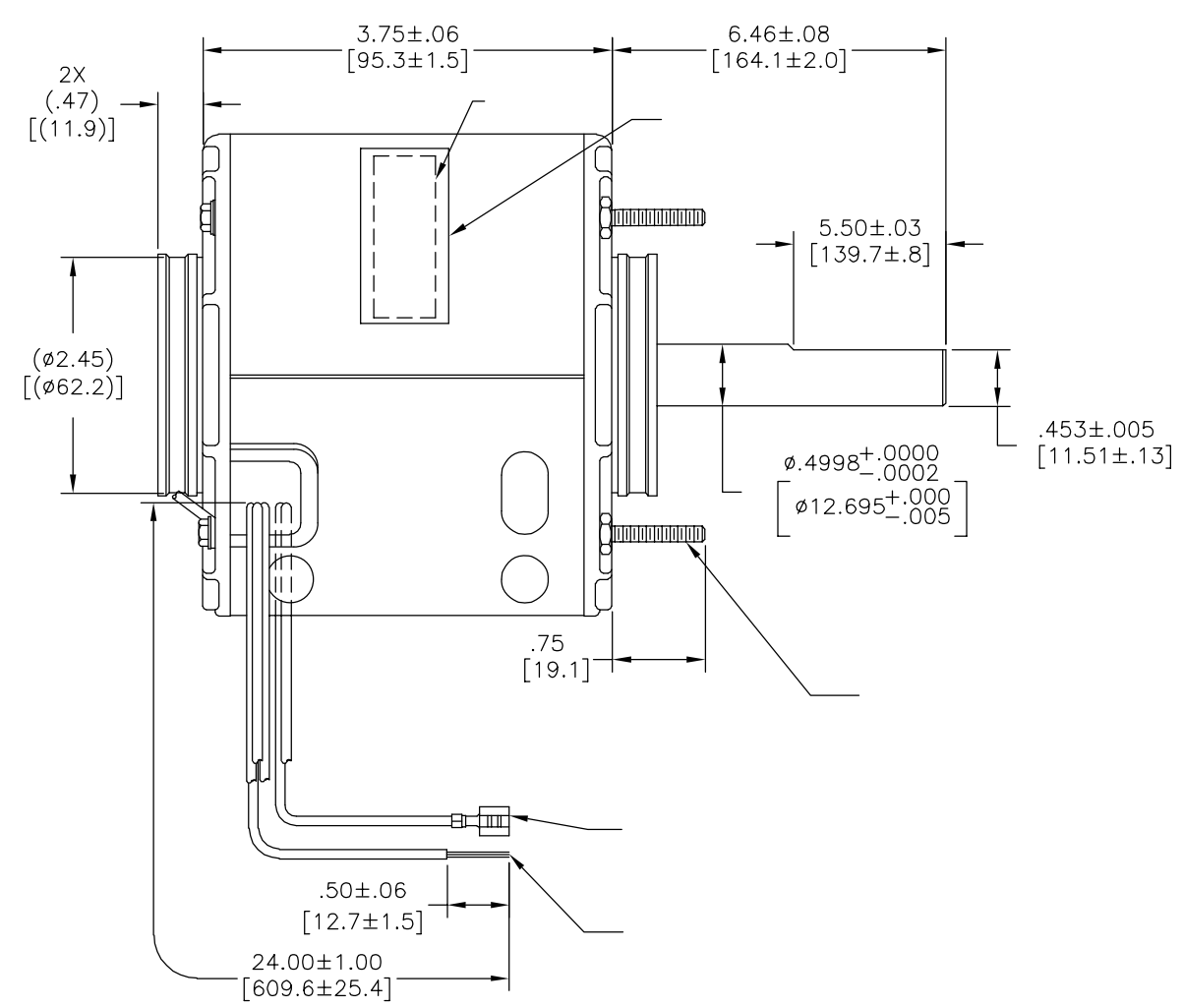
CARACTERISTICAS DE GEOMETRIA Y SIMBOLOS  
 □ PLANICIDAD  
 — RECTITUD  
 < ANGULARIDAD  
 ⊥ PERPENDICULARIDAD (A ESCUADRA)  
 // PARALELISMO  
 ○ REDONDEZ (CIRCULARIDAD)  
 ∅ CILINDRICIDAD  
 △ PERFIL DE CUALQUIER SUPERFICIE  
 ∟ PERFIL DE CUALQUIER LINEA  
 ∠ VARIACION  
 ⊕ POSICION REAL  
 ⊙ CONCENTRICIDAD  
 = SIMETRIA  
 ASME Y14.5M 1994

A MENOS QUE SE ESPECIFIQUE DE OTRA MANERA, LAS TOLERANCIAS DE LAS DIMS; SON LAS SIGUIENTES:  
 PULG ±.1 ±.02 ±.005 ±.0005  
 mm ±0.5 ±0.13 ±0.013  
 ANG. ±50 GRADOS  
 ELIMINAR REBABAS Y ORILLAS FILOSAS DEL BORDE.  
 PULG .003-.015 mm 0.1-0.4  
 FILETEAR ESQUINA: PULG .020 mm 0.5  
 MAQUINAR SUPERFICIES  
 PULG 125 mm 3.2  
 DIMS METRICAS MOSTRADAS [PARENTESIS]

DIBUJADO POR: K.GORDON 07-22-2004  
 APROBADO POR:  
 TERCER ANGULO DE PROYECCION  
 FECHA EDS: 11-11-2011  
 REV. FORMATO: H  
 CONFIDENCIAL: ESTE DIBUJO Y SU INFORMACION SON PROPIEDAD DE USO EXCLUSIVO Y CONFIDENCIAL DE REGAL-BELOIT CORPORATION. Y NO DEBERAN SER REVELADOS, DUPLICADOS, DISTRIBUIDOS O USARSE DE OTRA MANERA SIN EL CONSENTIMIENTO ESCRITO DE REGAL-BELOIT CORPORATION. -TODOS LOS DERECHOS RESERVADOS.

**REGAL REGAL-BELOIT CORPORATION**  
 DESCRIPCION: MODEL-RFHP-42FR OUTLINE  
 TAMAÑO: C NUMERO DE DIBUJO: DE3E7280  
 ESCALA: NONE HOJA: 1

版本	ECO	编制	日期	批准	日期
G	0029021	E.SINECIO	10-18-2012	G.ALVIDREZ	10-18-2012



**Century** TIPP CITY, OHIO  
 THERMALLY PROTECTED  
 SER. DATE & PO# PLT LTR MOD DE3E280N'  
 VOLTS 115 HZ 60 AMPS 2.5  
 RPM1075 SP PH 1 CAP 5MFD 370VAC  
 INS CLB AMB40°C HP CONT AO ←REV→  
 BRG SLV ASSEMBLED IN MEXICO  
 BK-HI 2.5A 1/8HP  
 BU-MED 1.6A 1/12HP  
 RD-LOW 1.3A 1/14HP  
 WH-COM BR & BR/WH CAP

- 形位公差
- 平面度
- 直线度
- ∠ 倾斜度
- ⊥ 垂直度
- // 平行度
- 圆度
- ⊘ 圆柱度
- ⌒ 面轮廓度
- △ 线轮廓度
- ↗ 圆跳动
- ⊕ 位置度
- ⊙ 同轴度
- ≡ 对称度

ASME Y14.5M 1994

除另有注明  
 尺寸公差如下:  
 英寸 X XX XXX XXXX  
 ±.1 ±.02 ±.005 ±.0005  
 毫米 ±0.5 ±0.13 ±0.013  
 角度 ±.50 度  
 清理毛刺和尖棱  
 英寸 .003-.015 毫米 0.1-0.4  
 内圆角  
 英寸 .020 毫米 0.5  
 表面粗糙度  
 英制 125 米制 3.2  
 米制尺寸显示在L

绘图: K.GORDON 07-22-2004  
 批准:  
 第三角投影  
 机密: 本图纸及相关信息所有权归REGAL-BELOIT CORPORATION  
 未经REGAL-BELOIT CORPORATION书面授权, 不得泄露、  
 复制、传播或作其他用途。—版权所有

**REGAL** REGAL-BELOIT CORPORATION  
 名称: MODEL-RFHP-42FR  
 OUTLINE  
 图幅: C 图号: DE3E7280  
 比例: NONE 页号: 1