

GENERAL INFORMATION:

SHAFT RUNOUT: .001 [.03] T.I.R. PER INCH LENGTH OF EXTENSION

END PLAY: .010 [.25] TO .063 [1.60]

BEARINGS: SLEEVE

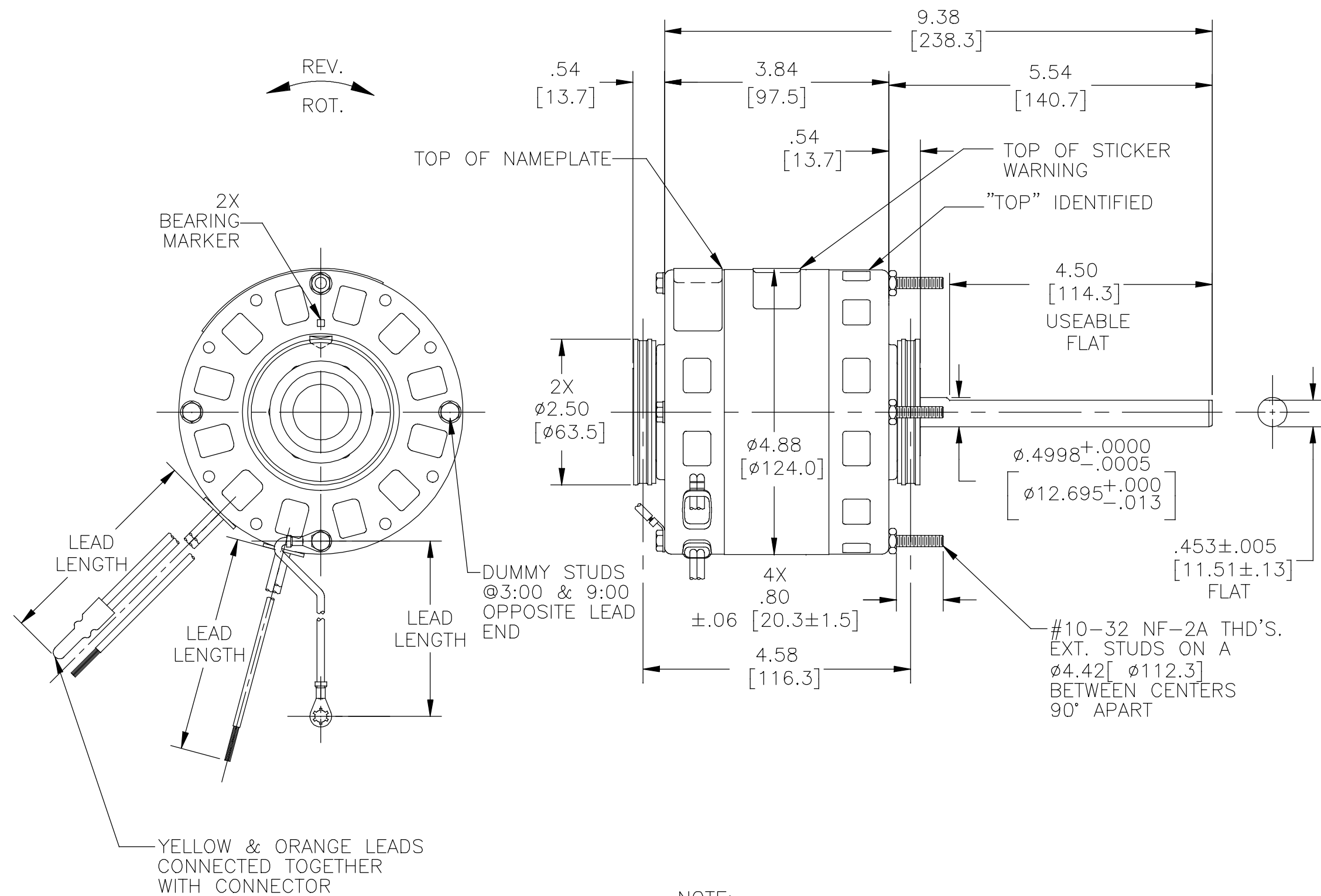
MOUNTING POSITION: HORIZONTAL

ELECTRICAL DATA:

OVERLOAD PROTECTOR: AUTOMATIC RESET (SENSATA 7AM 034)

LEADS: NO. 18 GA. .03 [.8] THK., 125°C INSUL.

GROUND LEAD: NO. 18 GA., .03 [.8] THK., (GREEN) INSUL.



NOTE:
DISTRIBUTION PART NUMBER: B6507V1
GRAINGER PART NUMBER: 4MB20

GREEN (GRD)	9.0/11.0 [229/279]	#10 EYELET
YELLOW	34.5/37.5 [876/952]	.60 [15.2] SKIN
ORANGE	34.5/37.5 [876/952]	.60 [15.2] SKIN
BROWN	34.5/37.5 [876/952]	.60 [15.2] SKIN
RED	34.5/37.5 [876/952]	.60 [15.2] SKIN
BLUE	34.5/37.5 [876/952]	.60 [15.2] SKIN
BLACK	34.5/37.5 [876/952]	.60 [15.2] SKIN
PURPLE	34.5/37.5 [876/952]	.60 [15.2] SKIN
COLOR	LENGTH	TERMINAL OR STRIP LENGTH

REGAL-BELOIT CORPORATION (RBC) PROVIDES TECHNICAL ASSISTANCE TO OUR CUSTOMERS IN SEVERAL AREAS. SINCE RBC DOES NOT RECEIVE ALL DATA CONCERNING THE USE AND APPLICATION OF THE MOTOR, THE SUITABILITY OF THE MOTOR FOR THE APPLICATION MUST BE DETERMINED BY THE CUSTOMER.

DIMENSIONS WITHOUT TOLERANCES ARE FOR REFERENCE ONLY.

MAIN FRAME - OLE	OPEN
END FRAME - OLE	OPEN
MAIN FRAME - LE	OPEN
END FRAME - LE	OPEN

CUSTOMER	DISTRIBUTION SERVICE
----------	----------------------

NAMEPLATE DATA:

MODEL NO.: F42F13A01
CUST. P/N: []
HP: 1/5, 1/6, 1/10
ROT: REVERSIBLE
RPM: 1075
TYPE: FLL
FRAME: 42Y
VOLTS: 230
PH: 1
AMPS: 1.3, 0.9, 0.7
HZ: 60
INS: B
AMB: 40°C
DUTY: AIR OVER
CAP.: 7.5 MFD/370V
UL & CSA LOGO
THERMALLY PROTECTED TYPE C

EXTERNAL CONNECTION DIAGRAM

SEE NOTE

PERFORMANCE CURVE NO.	TORQUE @ 1086 RPM (50°C)	APPROVED SAMPLE	UL COMPONENT FILE #	CSA GUIDE #
670406	17.0 OZ. FT.	-	E46412 PRGY2	LR43341 4211-01

DRAWING REVISION F	REVISION BY J. RUPERT	DATE 07-02-2018
ECO-0145867	APPROVED BY J. RUPERT	DATE 07-02-2018

ECO DESCRIPTION CORRECTED NAMEPLATE DATA

COPYRIGHT REGAL BELOIT AMERICA, INC. ALL RIGHTS RESERVED. PROPRIETARY AND CONFIDENTIAL INFORMATION - THIS DOCUMENT IS THE PROPERTY OF REGAL BELOIT AMERICA, INC. (OWNER) AND CONTAINS OWNER'S PROPRIETARY INFORMATION. ANY PERSON, CORPORATION OR OTHER FIRM RECEIVING IT IS DEEMED TO HAVE AGREED TO ACCEPT THAT IT, AND/OR ANY PART OF IT, SHALL NOT BE DISCLOSED TO ANY PERSON, CORPORATION OR OTHER ENTITY, DUPLICATED, AND/OR USED, EXCEPT AS EXPRESSLY APPROVED IN WRITING IN ADVANCE BY OWNER. THIS DOCUMENT SHALL BE RETURNED TO OWNER UPON REQUEST. IT MAY BE SUBJECT TO CERTAIN RESTRICTIONS UNDER APPLICABLE EXPORT CONTROL LAWS AND REGULATIONS.

ENCLOSURE

DRAWN BY: J. RUPERT
DATE: 08-05-2004

APPROVED BY: J. RUPERT
DATE: 08-05-2004

REFERENCE: 11674-033

THIRD ANGLE PROJECTION

REGAL™ Regal Beloit America, Inc.

DESCRIPTION: MODEL RFHP-42FR OUTLINE

MATERIAL: [] PROCESS/FINISH: []

SIZE DWG NO: C B6507V1

SHEET 1