

4

3

2

1

GENERAL INFORMATION:

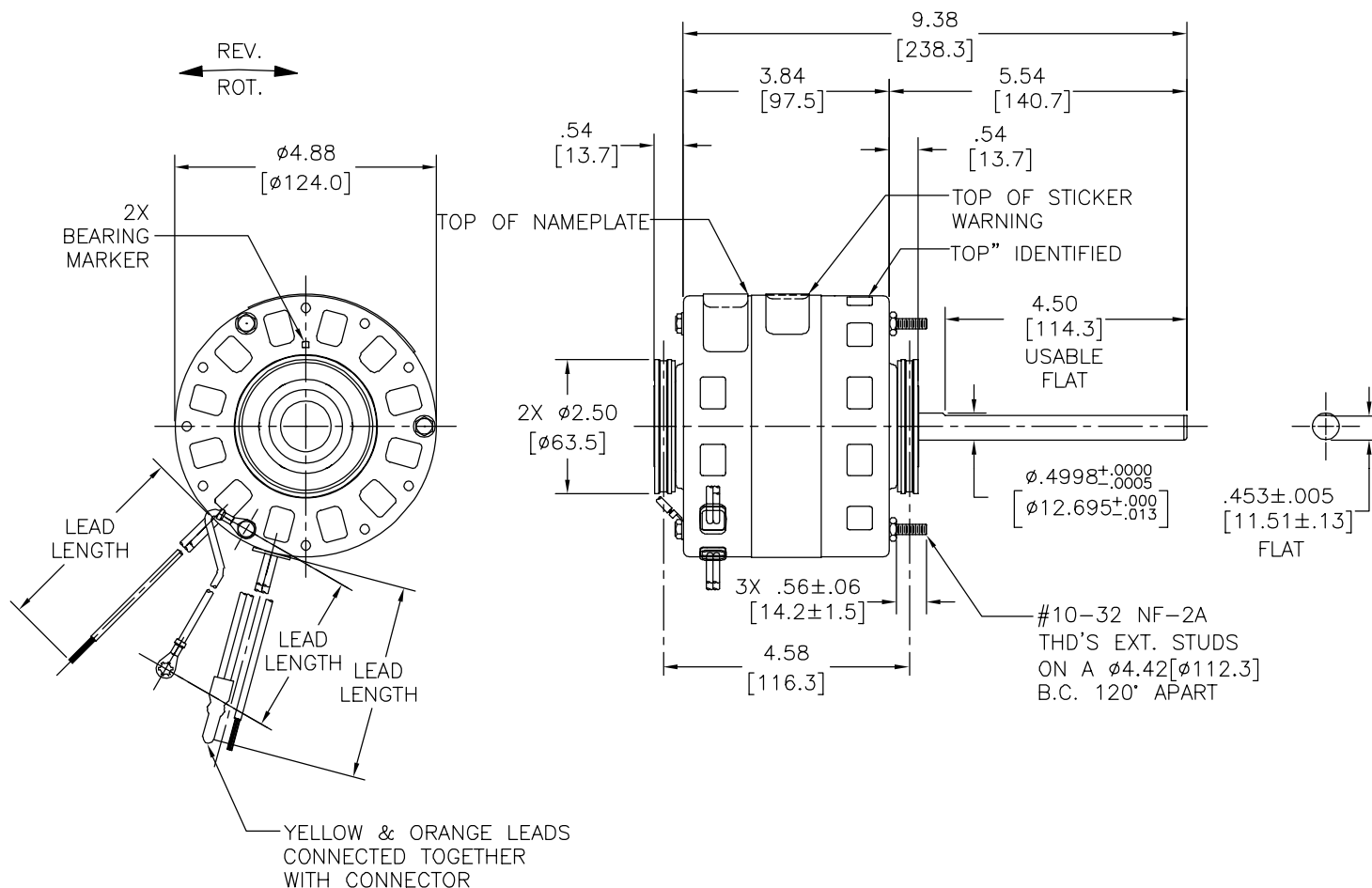
SHAFT RUNOUT: .001 [.03] T.I.R. PER INCH LENGTH OF EXTENSION  
 END PLAY: .010[.25] TO .063[1.60]  
 BEARINGS: SLEEVE  
 MOUNTING POSITION: HORIZONTAL

ELECTRICAL DATA:

OVERLOAD PROTECTOR: AUTOMATIC RESET (T.I. 7AM 304)  
 LEADS: NO. 18 GA., .03 [.8] THK., 125°C INSUL.  
 GROUND LEAD: NO. 18 GA., .03 [.8] THK., GREEN INSUL.

NOTE:  
 DISTRIBUTION: CUST. P/N: B6507  
 GRAINGER: CUST. P/N: 4KA44

REV	ECO	REV BY	DATE	APPD	DATE
D	0026376	F.NAVARRO	05-28-2012	R.RASCON	05-25-2012

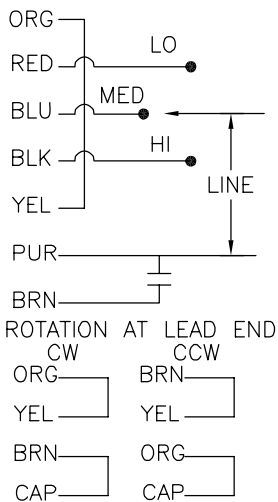


NAMEPLATE DATA:

MODEL NO.: 322P496  
 CUST. P/N: [ ]  
 HP: 1/5, 1/6, 1/10  
 ROT.: REVERSIBLE  
 RPM: 1075  
 TYPE: FLL  
 FRAME: 42Y  
 VOLTS: 230  
 PH: 1  
 AMPS: 1.3, 0.9, 0.7  
 HZ: 60  
 INS.: B  
 AMB.: 40°C  
 DUTY: AIR OVER  
 CAP.: 7.5 MFD/370V  
 UL & CSA LOGO  
 THERMALLY PROTECTED  
 TYPE C

SEE NOTE

EXTERNAL CONNECTION DIAGRAM



GREEN(GRD)	9.0/11.0 [229/279]	# 10	EYELET
YELLOW	34.5/37.5 [876/953]	.60 [15.2]	SKIN
ORANGE	34.5/37.5 [876/953]	.60 [15.2]	SKIN
BROWN	34.5/37.5 [876/953]	.60 [15.2]	SKIN
BLACK	34.5/37.5 [876/953]	.60 [15.2]	SKIN
PURPLE	34.5/37.5 [876/953]	.60 [15.2]	SKIN
BLUE	34.5/37.5 [876/953]	.60 [15.2]	SKIN
RED	34.5/37.5 [876/953]	.60 [15.2]	SKIN
COLOR	LENGTH	TERMINAL OR STRIP LENGTH	

MAIN FRAME - OLE	OPEN
END FRAME - OLE	OPEN
MAIN FRAME - LE	OPEN
END FRAME - LE	OPEN

CUSTOMER	DISTRIBUTION SERVICE
----------	----------------------

PERFORMANCE CURVE NO.	TORQUE @ 1075 RPM (25°C)	APPROVED SAMPLE	UL COMPONENT FILE #	CCN #	CSA FILE #	CLASS #
670406	17.0 OZ. FT.	-	E46412	PRGY2	LR43341	260-Ø-0

GEOMETRIC CHARACTERISTICS & SYMBOLS  
 ▢ FLATNESS  
 - STRAIGHTNESS  
 < ANGLARITY  
 ⊥ PERPENDICULARITY (SQUARENESS)  
 // PARALLELISM  
 ○ ROUNDNESS (CIRCULARITY)  
 ∅ CYLINDRICITY  
 △ PROFILE OF ANY SURFACE  
 ∇ PROFILE OF ANY LINE  
 ↑ RUNOUT  
 ⊕ TRUE POSITION  
 ⊙ CONCENTRICITY  
 = SYMMETRY  
 ASME Y14.5M 1994

REGAL-BELOIT CORPORATION (RBC) PROVIDES TECHNICAL ASSISTANCE TO OUR CUSTOMERS IN SEVERAL AREAS. SINCE RBC DOES NOT RECEIVE ALL DATA CONCERNING THE USE AND APPLICATION OF THE MOTOR, THE SUITABILITY OF THE MOTOR FOR THE APPLICATION MUST BE DETERMINED BY THE CUSTOMER.

DIMENSIONS WITHOUT TOLERANCES ARE FOR REFERENCE ONLY.

DR BY: J. RUPERT 06-13-1997  
 APPD: E. ROET 02-17-2000  
 EDS DATE 11-11-2011  
 FORMAT REV H  
 THIRD ANGLE PROJECTION  
 CONFIDENTIAL: THIS DRAWING AND ITS INFORMATION ARE THE EXCLUSIVE AND CONFIDENTIAL PROPERTY OF REGAL-BELOIT CORPORATION AND ARE NOT TO BE DISCLOSED, DUPLICATED, DISTRIBUTED OR OTHERWISE USED WITHOUT THE WRITTEN CONSENT OF REGAL-BELOIT CORPORATION. -ALL RIGHTS RESERVED.

**REGAL** REGAL-BELOIT CORPORATION

DESCRIPTION	
MODEL-RFHP-48FR OULTINE	
SIZE C	DWG NO 11674-014
SCALE NONE	SHEET 1

4

3

2

1

4

3

2

1

INFORMACION GENERAL:

OSCILACION DE FLECHA: .001 [.03] L.T.I. LONGITUD DE EXTENSION POR PULGADA

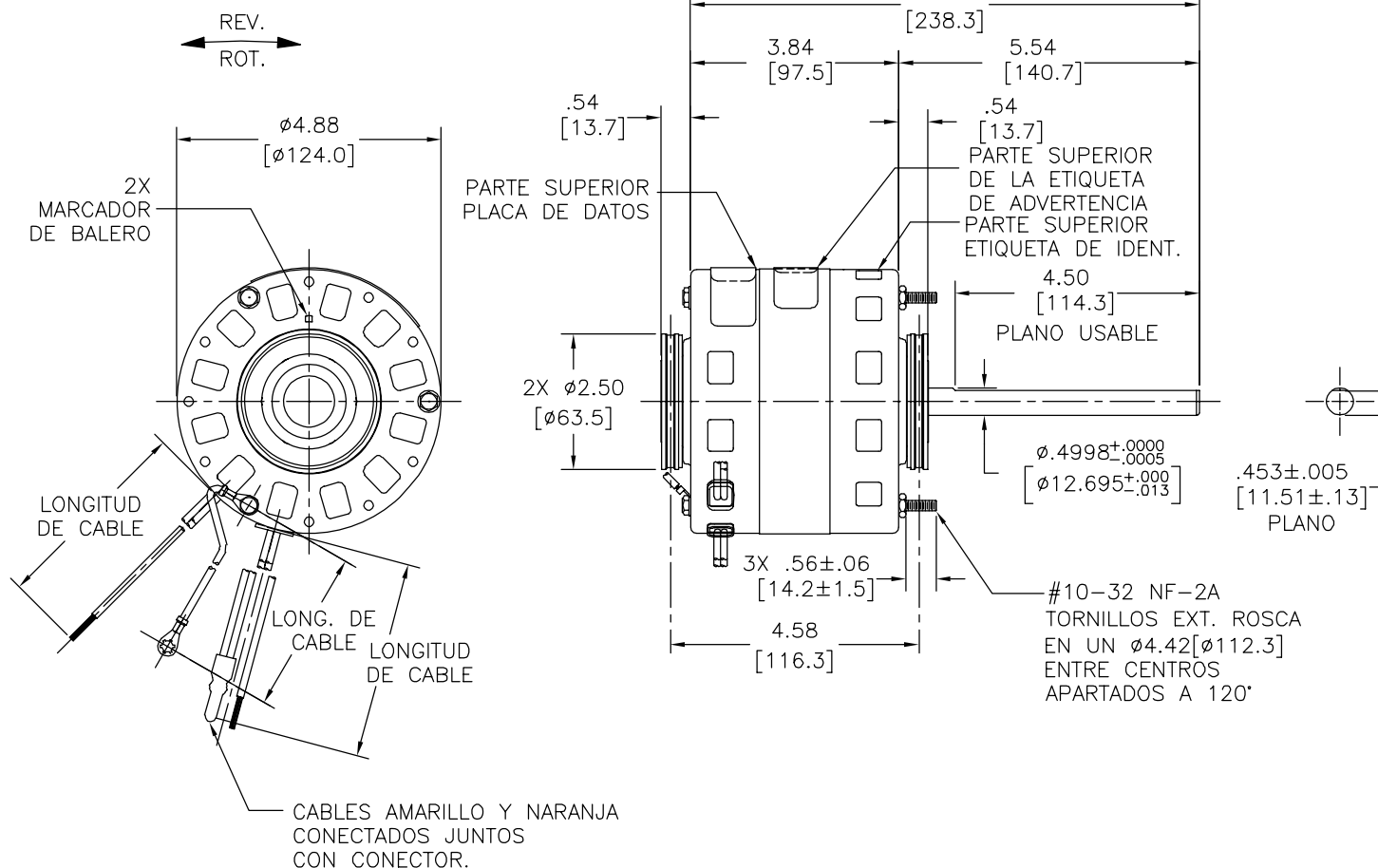
BALEROS: MANGA  
 POSICION DE MONTAJE: HORIZONTAL

DATOS ELECTRICOS:

SOBRECARGA DEL PROTECTOR: REINICIO AUTOMATICO (T.I. 7AM 304)  
 CABLES: CAL. NO. 18, .03 [.8] ESPESOR 125°C AISLANTE  
 CABLE DE TIERRA: CAL. NO. 18, .03 [.8] ESPESOR (VERDE) AISLANTE

NOTA:  
 DISTRIBUCION: N/P CLIENTE: B6507  
 GRAINGER: N/P CLIENTE: 4KA44

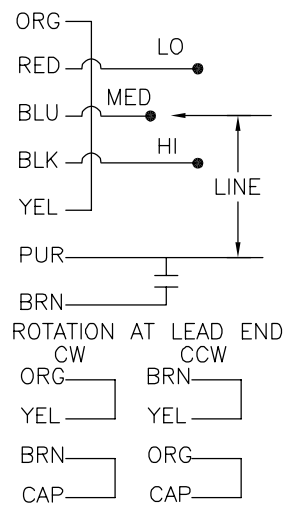
REVISION:	ECO	REVISADO POR:	FECHA:	APROBADO POR:	FECHA:
D	0026376	F.NAVARRO	05-28-2012	R.RASCON	05-25-2012



VER NOTA  
 INF. PLACA DE DATOS:

DIAGRAMA DE CONEXION EXTERNA

MODEL NO.: 322P496  
 CUST. P/N: [ ]  
 HP: 1/5, 1/6, 1/10  
 ROT.: REVERSIBLE  
 RPM: 1075  
 TYPE: FLL  
 FRAME: 42Y  
 VOLTS: 230  
 PH: 1  
 AMPS: 1.3, 0.9, 0.7  
 HZ: 60  
 INS.: B  
 AMB.: 40°C  
 DUTY: AIR OVER  
 CAP.: 7.5 MFD/370V  
 UL & CSA LOGO  
 THERMALLY PROTECTED  
 TYPE C



VERDE (TIERRA)	9.0/11.0 [229/279]	# 10 OJAL
AMARILLO	34.5/37.5 [876/953]	.60 [15.2] DESFORRE
NARANJA	34.5/37.5 [876/953]	.60 [15.2] DESFORRE
CAFE	34.5/37.5 [876/953]	.60 [15.2] DESFORRE
NEGRO	34.5/37.5 [876/953]	.60 [15.2] DESFORRE
MORADO	34.5/37.5 [876/953]	.60 [15.2] DESFORRE
AZUL	34.5/37.5 [876/953]	.60 [15.2] DESFORRE
ROJO	34.5/37.5 [876/953]	.60 [15.2] DESFORRE
COLOR	LONGITUD	TERMINAL O LONGITUD DE DESFORRE

CUERPO PPAL.-OLE	ABIERTO
TAPA FINAL - OLE	ABIERTO
CUERPO PPAL.- LE	ABIERTO
TAPA FINAL - LE	ABIERTO

CLIENTE	DISTRIBUTION SERVICE
---------	----------------------

CURVAS DE FUNCIONAMIENTO	TORSION @1075 RPM (25°C)	MUESTRA APROBADA	COMPONENTE UL	CSA
670406	17.0 OZ. FT.	-	#ARCHIVO CCN #	#ARCHIVO #CLASE
			E46412 PRGY2	LR43341 260-0-0

CARACTERISTICAS DE GEOMETRIA Y SIMBOLOS  
 □ PLANICIDAD  
 — RECTITUD  
 < ANGULARIDAD  
 ⊥ PERPENDICULARIDAD (A ESCUADRA)  
 // PARALELISMO  
 ○ REDONDEZ (CIRCULARIDAD)  
 ∅ CILINDRICIDAD  
 △ PERFIL DE CUALQUIER SUPERFICIE  
 ▲ PERFIL DE CUALQUIER LINEA  
 ↗ VARIACION  
 ⊕ POSICION REAL  
 ⊙ CONCENTRICIDAD  
 = SIMETRIA  
 ASME Y14.5M 1994

REGAL-BELOIT CORPORATION (RBC) PROVEE ASISTENCIA TECNICA A NUESTROS CLIENTES EN VARIAS AREAS, DESDE QUE RBC NO RECIBE TODOS LOS DATOS EN RELACION AL USO Y A LA APLICACION DEL MOTOR, LA APLICACION ADECUADA DEL MOTOR DEBE SER DETERMINADA POR EL CLIENTE.  
 DIMENSIONES SIN TOLERANCIA SON DE REFERENCIA SOLAMENTE

DIBUJADO POR: J. RUPERT 06-13-1997  
 APROBADO POR: E. ROET 02-17-2000  
 TERCER ANGULO DE PROYECCION  
 CONFIDENCIAL: ESTE DIBUJO Y SU INFORMACION SON PROPIEDAD DE USO EXCLUSIVO Y CONFIDENCIAL DE REGAL-BELOIT CORPORATION. Y NO DEBERAN SER REVELADOS, DUPLICADOS, DISTRIBUIDOS O USARSE DE OTRA MANERA SIN EL CONSENTIMIENTO ESCRITO DE REGAL-BELOIT CORPORATION. -TODOS LOS DERECHOS RESERVADOS.

**REGAL REGAL-BELOIT CORPORATION**  
 DESCRIPCION: MODEL-RFHP-48FR OULTINE  
 TAMAÑO: C NUMERO DE DIBUJO: 11674-014  
 ESCALA: NONE HOJA: 1

4

3

2

1

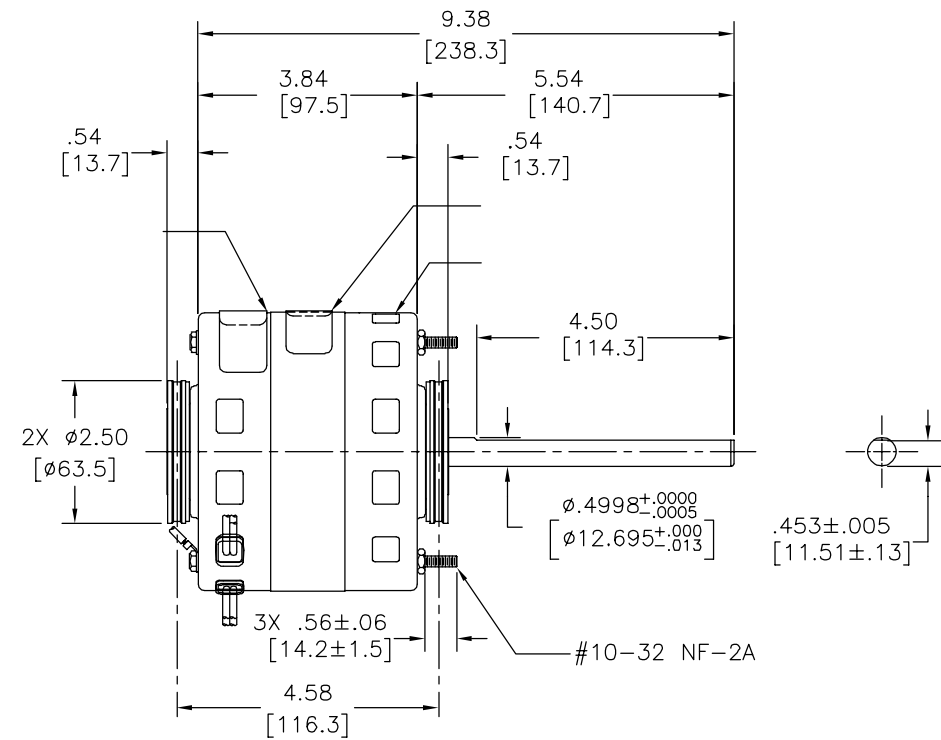
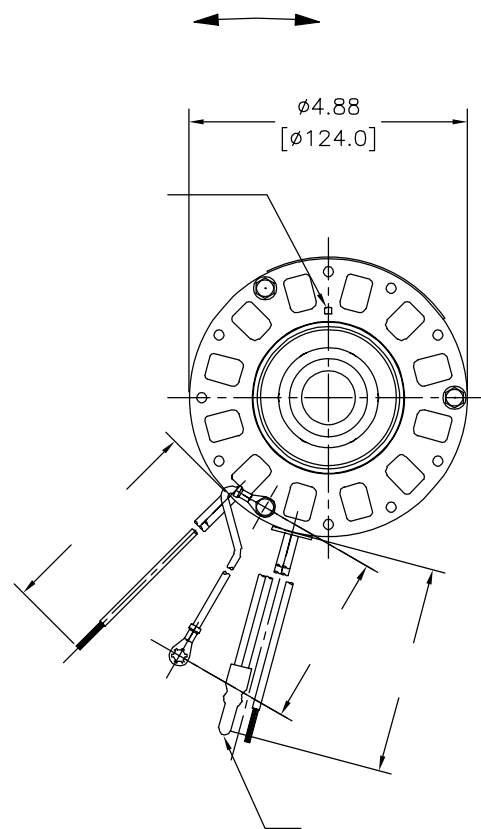
4

3

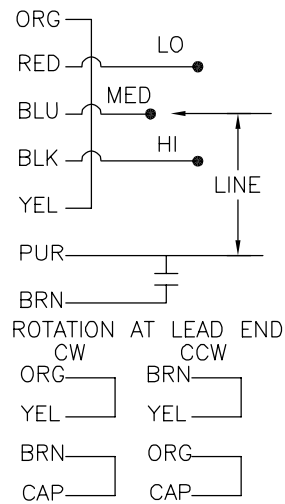
2

1

版本	ECO	编制	日期	批准	日期
D	0026376	F.NAVARRO	05-28-2012	R.RASCON	05-25-2012



MODEL NO.: 322P496  
 CUST. P/N: [ ]  
 HP: 1/5, 1/6, 1/10  
 ROT.: REVERSIBLE  
 RPM: 1075  
 TYPE: FLL  
 FRAME: 42Y  
 VOLTS: 230  
 PH: 1  
 AMPS: 1.3, 0.9, 0.7  
 HZ: 60  
 INS.: B  
 AMB.: 40°C  
 DUTY: AIR OVER  
 CAP.: 7.5 MFD/370V  
 UL & CSA LOGO  
 THERMALLY PROTECTED  
 TYPE C



	9.0/11.0 [229/279]	# 10
	34.5/37.5 [876/953]	.60 [15.2]
	34.5/37.5 [876/953]	.60 [15.2]
	34.5/37.5 [876/953]	.60 [15.2]
	34.5/37.5 [876/953]	.60 [15.2]
	34.5/37.5 [876/953]	.60 [15.2]
	34.5/37.5 [876/953]	.60 [15.2]
	34.5/37.5 [876/953]	.60 [15.2]

670406	17.0 OZ. FT.	-	E46412	CCN #	PRGY2	LR43341	CSA	260-φ-0
--------	--------------	---	--------	-------	-------	---------	-----	---------

- 形位公差
- 平面度
- 直线度
- ∠ 倾斜度
- ⊥ 垂直度
- // 平行度
- 圆度
- ⊘ 圆柱度
- ⊙ 面轮廓度
- ⌒ 线轮廓度
- ↗ 圆跳动
- ⊕ 位置度
- ⊙ 同轴度
- ≡ 对称度

ASME Y14.5M 1994

REGAL-BELOIT CORPORATION (RBC) 在个别领域为客户提供技术支持。鉴于RBC未收到任何涉及电机使用和应用环境的数据，电机的适用性由客户自己决定。

未注公差尺寸仅供参考。

绘图: J. RUPERT 06-13-1997  
 批准: E. ROET 02-17-2000  
 第三角投影  
 机密: 本图纸及相关信息所有权归REGAL-BELOIT CORPORATION。未经REGAL-BELOIT CORPORATION书面授权, 不得泄露、复制、传播或作其他用途。一版权所有



名称: MODEL-RFHP-48FR OULTINE  
 图幅: C 图号: 11674-014  
 比例: NONE 页号: 1

4

3

2

1