

4

3

2

1

GENERAL INFORMATION:

SHAFT RUNOUT: .001 [.03] T.I.R. PER INCH LENGTH OF EXTENSION

END PLAY: .010[.25] TO .063[1.60]

BEARINGS: SLEEVE

MOUNTING POSITION: HORIZONTAL

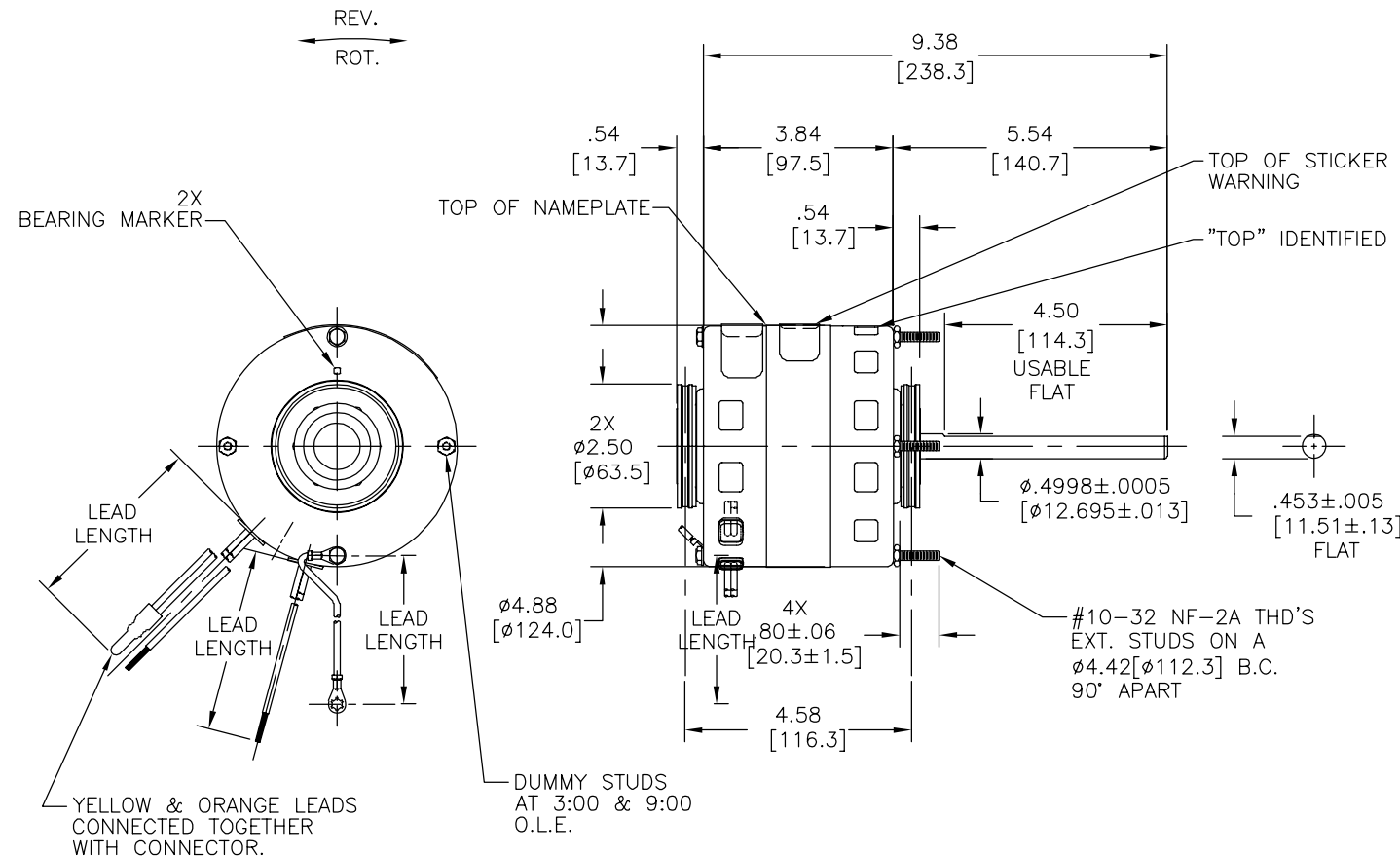
ELECTRICAL DATA:

OVERLOAD PROTECTOR: AUTOMATIC RESET T.I. 7AM 304

LEADS: NO. 18 GA., .03[.8] THK., 125°C INSUL.

GROUND LEAD: NO. 18 GA., .03 [.8] THK., GREEN INSUL.

REV	ECO	REV BY	DATE	APPD	DATE
F	0026377	T.CUI	05-28-2012	B.SHEN	05-28-2012



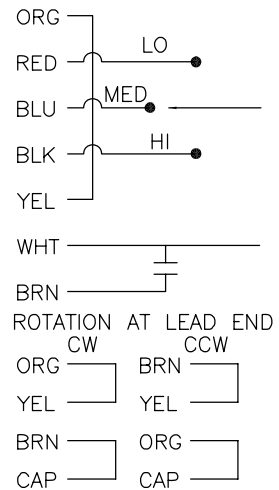
NOTES:  
1. DISTRIBUTION PART NUMBER: BL6505V1  
GRAINGER PART NUMBER: 4MB18

NAMEPLATE DATA:

SEE NOTE 1

EXTERNAL CONNECTION DIAGRAM

MODEL NO: F42F12A01  
CUST. P/N: [ ]  
HP: 1/5, 1/8, 1/10  
ROT.: REVERSIBLE  
RPM: 1075  
TYPE: FLL  
FRAME: 42Y  
VOLTS: 115  
PH: 1  
AMPS: 3.2, 2.1, 1.7  
HZ: 60  
INS.: B  
AMB: 40°C  
DUTY: AIR OVER  
CAP.: 7.5 MFD/370V  
UL & CSA LOGO  
THERMALLY PROTECTED  
TYPE C



GREEN(GRD)	9/11 [229/279]	#10 EYELET
YELLOW	34.5/37.5 [876/953]	.60[15.2] SKIN
ORANGE	34.5/37.5 [876/953]	.60[15.2] SKIN
BROWN	34.5/37.5 [876/953]	.60[15.2] SKIN
BLACK	34.5/37.5 [876/953]	.60[15.2] SKIN
WHITE	34.5/37.5 [876/953]	.60[15.2] SKIN
BLUE	34.5/37.5 [876/953]	.60[15.2] SKIN
RED	34.5/37.5 [876/953]	.60[15.2] SKIN

MAIN FR. — OLE	OPEN
END FR. — OLE	OPEN
MAIN FR. — LE	OPEN
END FR. — LE	OPEN

CUST	DISTRIBUTION SERVICES
------	-----------------------

PERFORMANCE CURVE NO.	TORQUE @ 1075 RPM (25°C)	APPROVED SAMPLE	UL COMPONENT FILE #	GUIDE #	CSA FILE #	GUIDE #
C32102	19.3 OZ. FT.	PSA7748	E46412	PRGY2	LR43341	4211-01

GEOMETRIC CHARACTERISTICS & SYMBOLS  
 ▯ FLATNESS  
 — STRAIGHTNESS  
 ∠ ANGULARITY  
 ⊥ PERPENDICULARITY (SQUARENESS)  
 // PARALLELISM  
 ○ ROUNDNESS (CIRCULARITY)  
 ∅ CYLINDRICITY  
 △ PROFILE OF ANY SURFACE  
 ∩ PROFILE OF ANY LINE  
 ↑ RUNOUT  
 ⊕ TRUE POSITION  
 ⊙ CONCENTRICITY  
 = SYMMETRY  
 ASME Y14.5M 1994

REGAL-BELOIT CORPORATION (RBC) PROVIDES TECHNICAL ASSISTANCE TO OUR CUSTOMERS IN SEVERAL AREAS. SINCE RBC DOES NOT RECEIVE ALL DATA CONCERNING THE USE AND APPLICATION OF THE MOTOR, THE SUITABILITY OF THE MOTOR FOR THE APPLICATION MUST BE DETERMINED BY THE CUSTOMER.

DIMENSIONS WITHOUT TOLERANCES ARE FOR REFERENCE ONLY.

DR BY:	J. RUPERT	08-05-2004
APPD:	J. RUPE	08-05-2004
THIRD ANGLE PROJECTION	EDS DATE 11-11-2011 FORMAT REV H	

CONFIDENTIAL: THIS DRAWING AND ITS INFORMATION ARE THE EXCLUSIVE AND CONFIDENTIAL PROPERTY OF REGAL-BELOIT CORPORATION AND ARE NOT TO BE DISCLOSED, DUPLICATED, DISTRIBUTED OR OTHERWISE USED WITHOUT THE WRITTEN CONSENT OF REGAL-BELOIT CORPORATION. —ALL RIGHTS RESERVED.

REGAL-BELOIT CORPORATION	
DESCRIPTION	OUTLINE
SIZE C	DWG NO 11674-032
SCALE NONE	SHEET 1

4

3

2

1

4

3

2

1

INFORMACION GENERAL:

OSCILACION DE FLECHA: .001 [.03] L.T.I. LONGITUD DE EXTENSION POR PULGADA

JUEGO AXIAL: .010[.25] A .063[1.60]

BALEROS: FUNDA

POSICION DE MONTAJE: HORIZONTAL

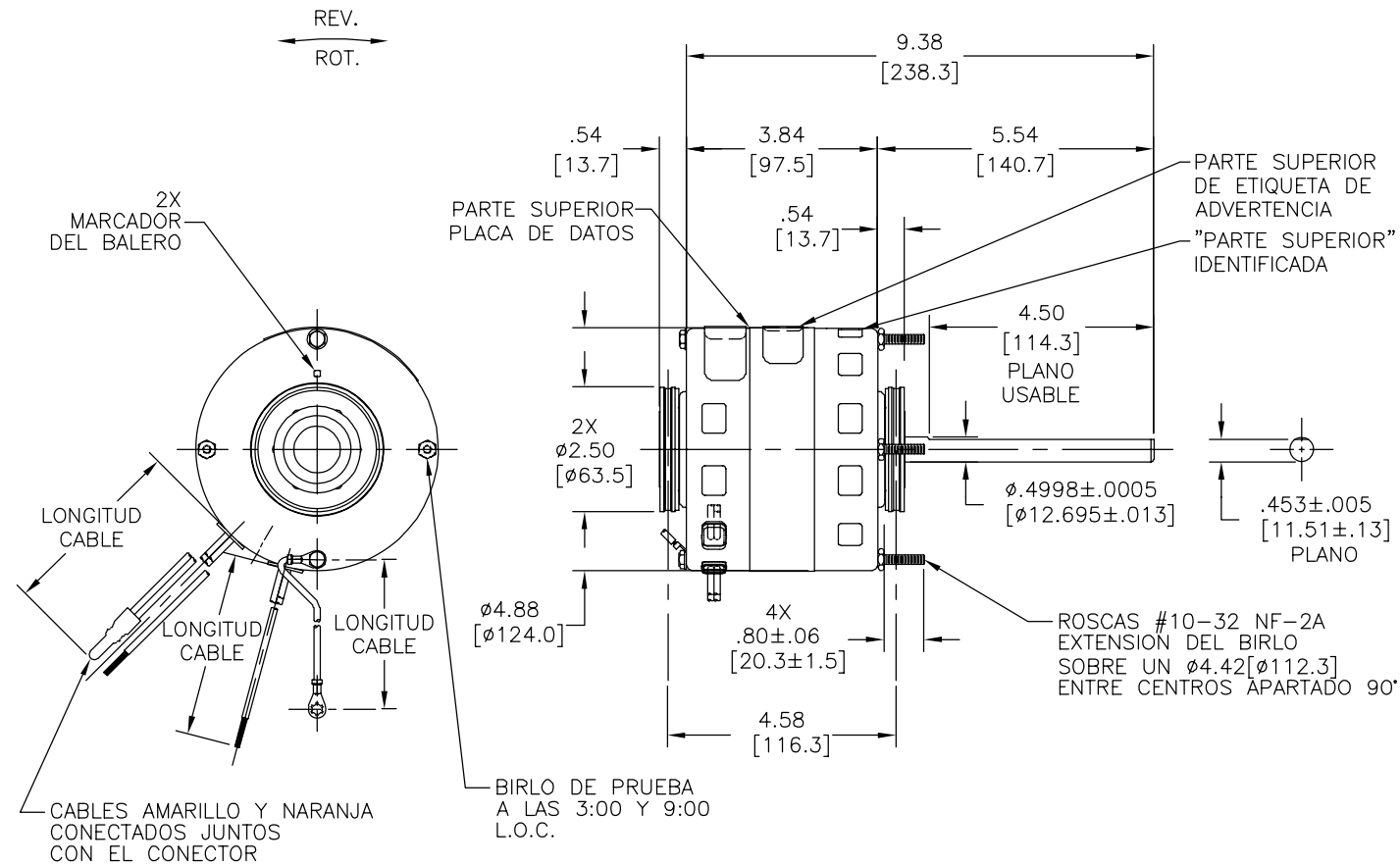
DATOS ELECTRICOS:

SOBRECARGA DEL PROTECTOR: REINICIO AUTOMATICO T.I. 7AM 304

CABLES: CAL. NO. 18, .03[.8] ESPESOR 125°C AISLANTE

CABLE DE TIERRA: CAL. NO. 18, .03 [.8] ESPESOR AISLANTE VERDE

REVISION:	ECO	REVISADO POR:	FECHA:	APROBADO POR:	FECHA:
F	0026377	T.CUI	05-28-2012	B.SHEN	05-28-2012

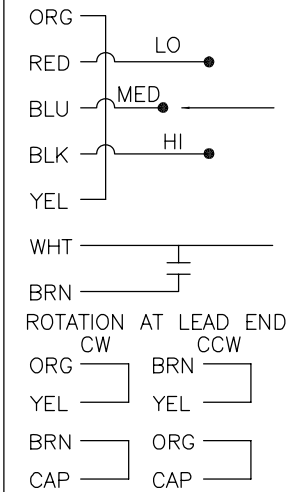


VER NOTA 1

INF. PLACA DE DATOS:

DIAGRAMA DE CONEXION EXTERNA

MODEL NO: F42F12A01  
 CUST. P/N: [ ]  
 HP: 1/5, 1/8, 1/10  
 ROT.: REVERSIBLE  
 RPM: 1075  
 TYPE: FLL  
 FRAME: 42Y  
 VOLTS: 115  
 PH: 1  
 AMPS: 3.2, 2.1, 1.7  
 HZ: 60  
 INS.: B  
 AMB: 40°C  
 DUTY: AIR OVER  
 CAP.: 7.5 MFD/370V  
 UL & CSA LOGO  
 THERMALLY PROTECTED  
 TYPE C



CURVAS DE FUNCIONAMIENTO	TORSION @1075 RPM (25°C)	MUESTRA APROBADA	COMPONENTE UL		CSA	
			#ARCHIVO	#CLASE	#ARCHIVO	#CLASE
C32102	19.3 OZ. PULG.	PSA7748	E46412	PRGY2	LR43341	4211-01

VERDE (TIERRA)	9/11 [229/279]	#10 OJILLO
AMARILLO	34.5/37.5 [876/953]	.60[15.2] FORRO
NARANJA	34.5/37.5 [876/953]	.60[15.2] FORRO
CAFE	34.5/37.5 [876/953]	.60[15.2] FORRO
NEGRO	34.5/37.5 [876/953]	.60[15.2] FORRO
BLANCO	34.5/37.5 [876/953]	.60[15.2] FORRO
AZUL	34.5/37.5 [876/953]	.60[15.2] FORRO
ROJO	34.5/37.5 [876/953]	.60[15.2] FORRO
COLOR	LONGITUD	TERMINAL O LONGITUD DE DESFORRE

NOTAS:  
 1. NUMERO DE PARTE DE DISTRIBUCION: BL6505V1  
 NUMERO DE PARTE GRAINGER: 4MB18

CUERPO PPAL.-OLE	ABIERTO
TAPA FINAL - OLE	ABIERTO
CUERPO PPAL.- LE	ABIERTO
TAPA FINAL - LE	ABIERTO

CLIENTE	DISTRIBUTION SERVICES
---------	-----------------------

CARACTERISTICAS DE GEOMETRIA Y SIMBOLOS  
 ✓ PLANICIDAD  
 — RECTITUD  
 ∠ ANGULARIDAD  
 ⊥ PERPENDICULARIDAD (A ESCUADRA)  
 // PARALELISMO  
 ○ REDONDEZ (CIRCULARIDAD)  
 ∅ CILINDRICIDAD  
 △ PERFIL DE CUALQUIER SUPERFICIE  
 ∩ PERFIL DE CUALQUIER LINEA  
 / VARIACION  
 ⊕ POSICION REAL  
 ⊙ CONCENTRICIDAD  
 = SIMETRIA  
 ASME Y14.5M 1994

REGAL-BELOIT CORPORATION (RBC) PROVEE ASISTENCIA TECNICA A NUESTROS CLIENTES EN VARIAS AREAS. DESDE QUE RBC NO RECIBE TODOS LOS DATOS EN RELACION AL USO Y A LA APLICACION DEL MOTOR, LA APLICACION ADECUADA DEL MOTOR DEBE SER DETERMINADA POR EL CLIENTE.

DIMENSIONES SIN TOLERANCIA SON DE REFERENCIA SOLAMENTE

DIBUJADO POR:	J. RUPERT	08-05-2004
APROBADO POR:	J. RUPE	08-05-2004
TERCER ANGULO DE PROYECCION		FECHA EDS: 11-11-2011 REV. FORMATO: H
CONFIDENCIAL: ESTE DIBUJO Y SU INFORMACION SON PROPIEDAD DE USO EXCLUSIVO Y CONFIDENCIAL DE REGAL-BELOIT CORPORATION. Y NO DEBERAN SER REVELADOS, DUPLICADOS, DISTRIBUIDOS O USARSE DE OTRA MANERA SIN EL CONSENTIMIENTO ESCRITO DE REGAL-BELOIT CORPORATION. -TODOS LOS DERECHOS RESERVADOS.		

<b>REGAL REGAL-BELOIT CORPORATION</b>	
DESCRIPCION: OUTLINE	
TAMAÑO: C	NUMERO DE DIBUJO: 11674-032
ESCALA: NONE	HOJA: 1

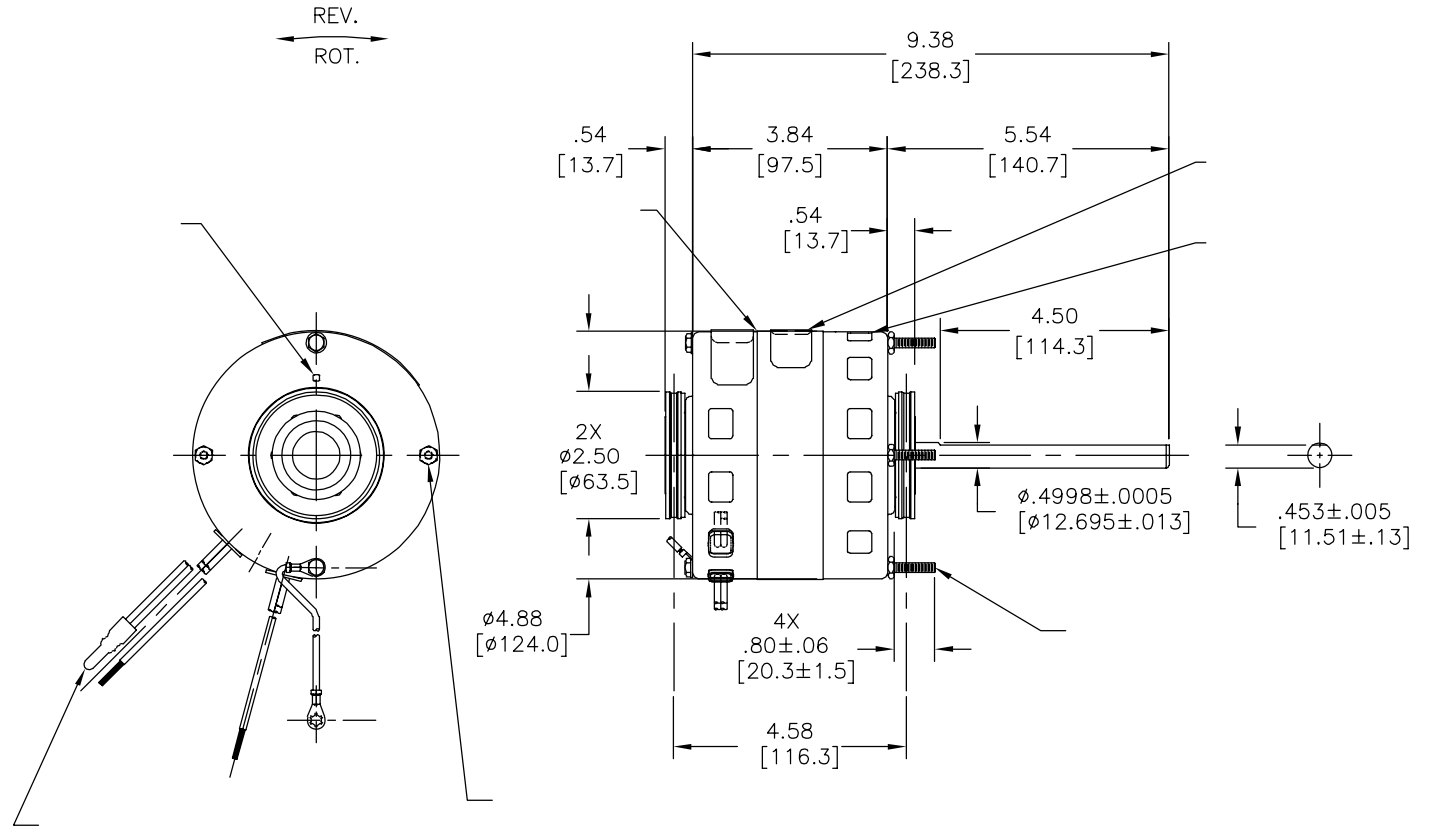
4

3

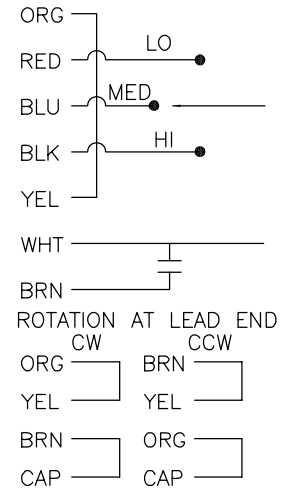
2

1

版本	ECO	编制	日期	批准	日期
F	0026377	T.CUI	05-28-2012	B.SHEN	05-28-2012



MODEL NO: F42F12A01  
 CUST. P/N: [ ]  
 HP: 1/5, 1/8, 1/10  
 ROT.: REVERSIBLE  
 RPM: 1075  
 TYPE: FLL  
 FRAME: 42Y  
 VOLTS: 115  
 PH: 1  
 AMPS: 3.2, 2.1, 1.7  
 HZ: 60  
 INS.: B  
 AMB: 40°C  
 DUTY: AIR OVER  
 CAP.: 7.5 MFD/370V  
 UL & CSA LOGO  
 THERMALLY PROTECTED  
 TYPE C



	9/11	
	[229/279]	
	34.5/37.5	
	[876/953]	
	34.5/37.5	
	[876/953]	
	34.5/37.5	
	[876/953]	
	34.5/37.5	
	[876/953]	
	34.5/37.5	
	[876/953]	
	34.5/37.5	
	[876/953]	

					CSA
C32102	PSA7748	E46412	PRGY2	LR43341	4211-01

- 形位公差
- 平面度
- 直线度
- ∠ 倾斜度
- ⊥ 垂直度
- ∥ 平行度
- 圆度
- ⊘ 圆柱度
- ⌒ 面轮廓度
- 线轮廓度
- ↗ 圆跳动
- ⊕ 位置度
- ⊙ 同轴度
- ≡ 对称度

ASME Y14.5M 1994

REGAL-BELOIT CORPORATION (RBC) 在个别领域为客户提供技术支持。鉴于RBC未收到任何涉及电机使用和应用环境的数据，电机的适用性由客户自己决定。

未注公差尺寸仅供参考。

绘图: J. RUPERT 08-05-2004  
 批准: J. RUPE 08-05-2004  
 第三角投影  
 图纸格式发布日期 11-11-2011  
 图纸格式版本 H  
 机密: 本图纸及相关信息所有权归REGAL-BELOIT CORPORATION。未经REGAL-BELOIT CORPORATION书面授权, 不得泄露、复制、传播或作其他用途。--版权所有

**REGAL REGAL-BELOIT CORPORATION**

名称: OUTLINE  
 图幅: C 图号: 11674-032  
 比例: NONE 页号: 1

D  
C  
B  
A

D  
C  
B  
A

4

3

2

1

4

3

2

1