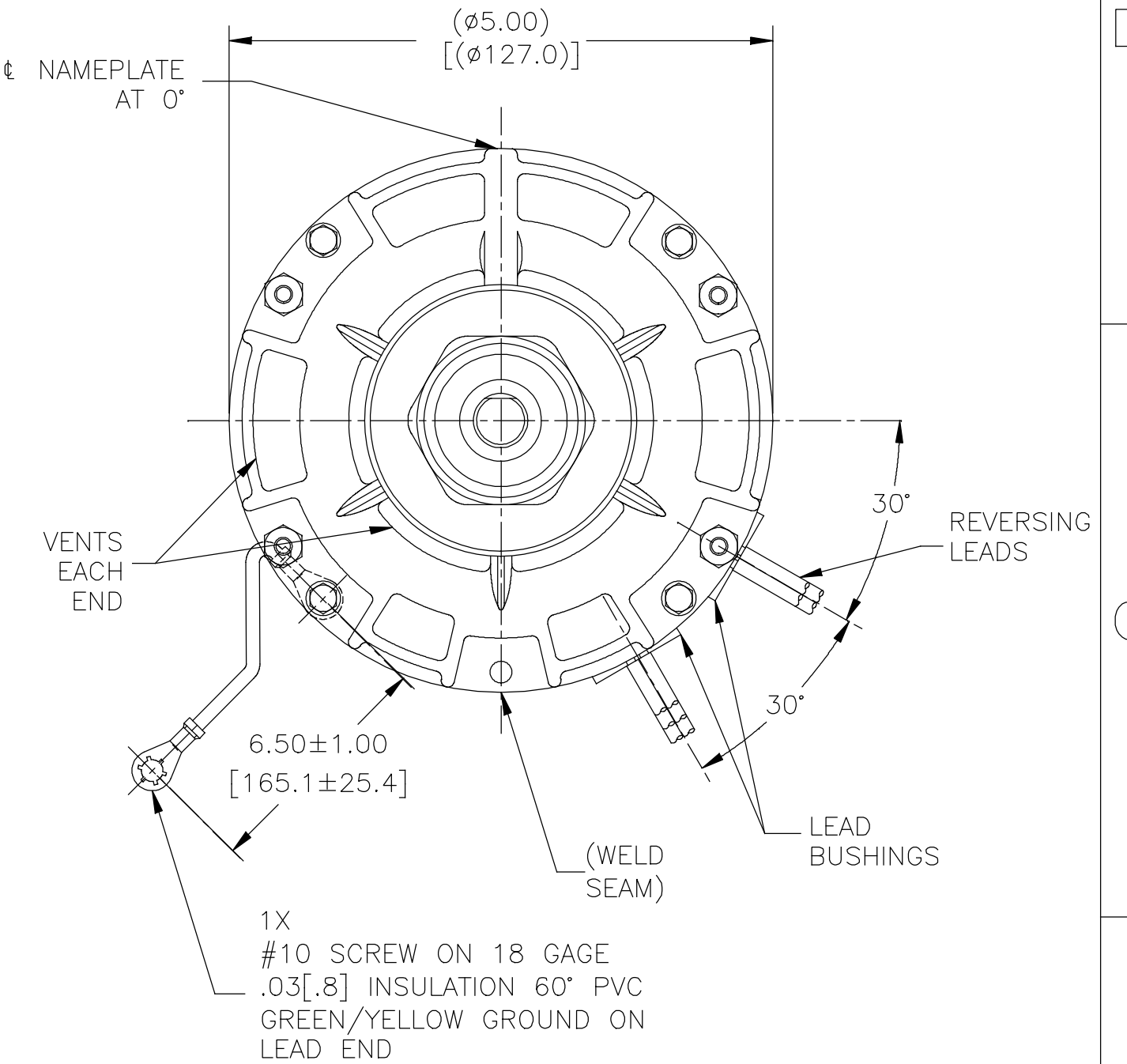
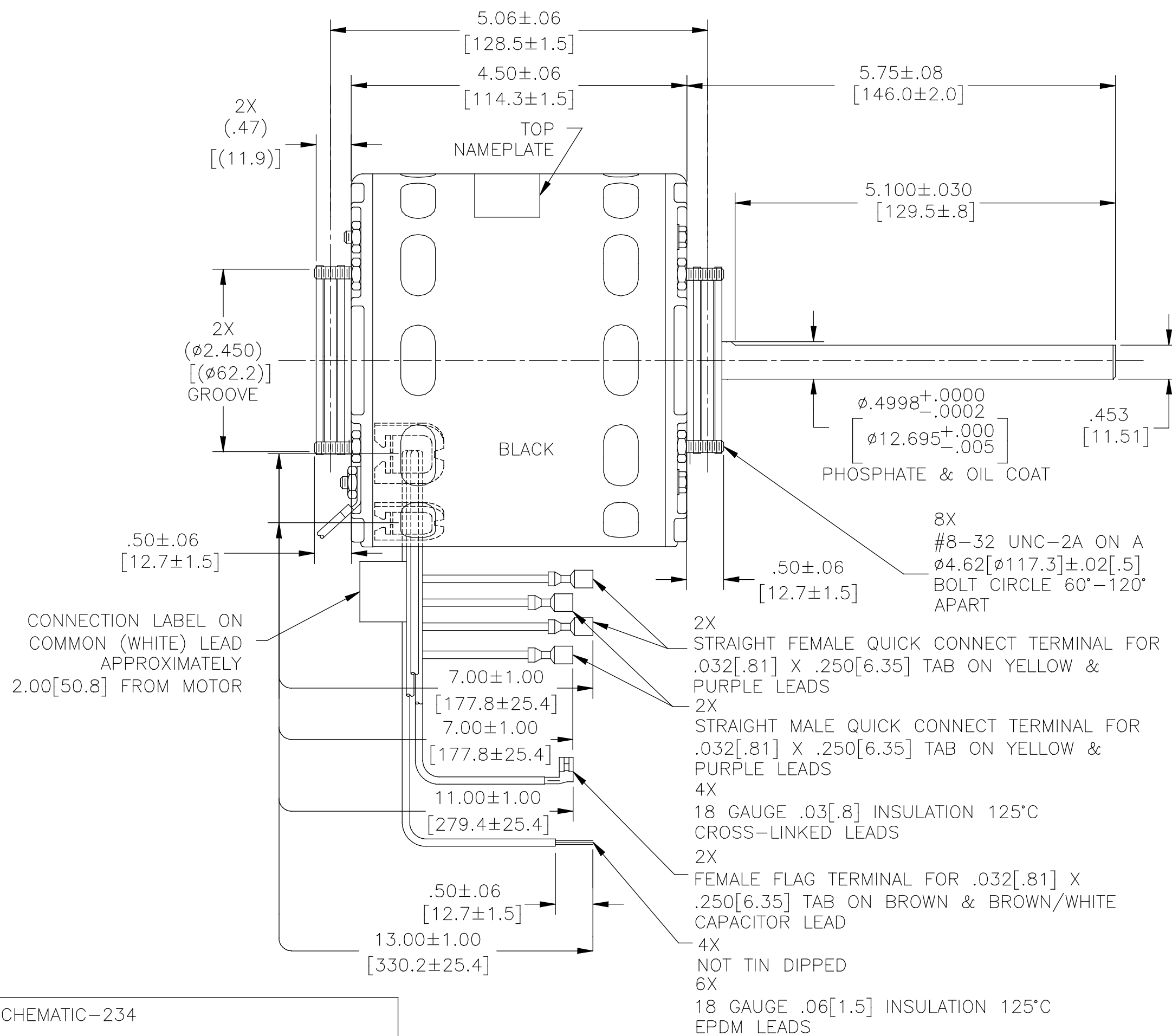


CUSTOMER IS SOLELY RESPONSIBLE FOR MOTOR PERFORMANCE AND SUITABILITY IN APPLICATIONS FOR CUSTOMER'S USES.

END PLAY .005[.13] MINIMUM - .040[1.02] MAXIMUM  
 MAXIMUM SHAFT RUNOUT .001[.02] PER INCH  
 MAXIMUM RUNOUT NOT EXCEED .010[0.25]



CONNECTION LABEL ON COMMON (WHITE) LEAD APPROXIMATELY 2.00[50.8] FROM MOTOR

NOTE:  
 DISTRIBUTION PART NUMBER: 9713  
 GRAINGER PART NUMBER: 4UY17

SEE NOTE 1

ROT: REVERSIBLE

NAMEPLATE DATA:

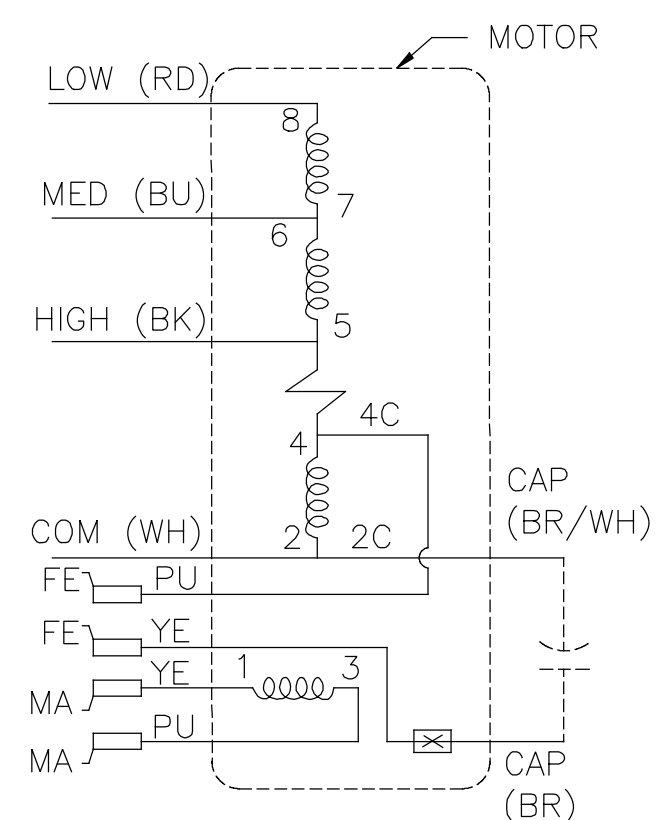


Tipp City, OH  
 THERMALLY PROTECTED



SER. DATE & PO# PMODTØE3F115N'  
 VOLTS 115 HZ60 AMPS 2.2  
 RPM 1075 SP 3 PH1 CAP 5 MFD/370 VAC  
 INS CL B AMB40°C HP 1/8 CONT. A.O. ←ROT REV→  
 BRG SLV ASSEMBLED IN MEXICO

SCHEMATIC-234



CONNECTION LABEL  
 63T7433-305

CCWLE	PLUG IN YELLOW LEAD TO PURPLE LEAD
CWLE	PLUG IN PURPLE LEAD TO PURPLE LEAD

ELECTRICALLY PER SAMPLE  
 0444419C PERFORMANCE CURVE  
 NO. C32442

DRAWING REVISION	REVISION BY	DATE
F	HANNA.ZOU	07-25-2018
ECO	APPROVED BY	DATE
ECO-0149422	DEXIAN.LI	07-25-2018

ECO DESCRIPTION  
 SEE ECO

COPYRIGHT REGAL BELOIT AMERICA, INC. ALL RIGHTS RESERVED. PROPRIETARY AND CONFIDENTIAL INFORMATION - THIS DOCUMENT IS THE PROPERTY OF REGAL BELOIT AMERICA, INC. (OWNER) AND CONTAINS OWNER'S PROPRIETARY INFORMATION. ANY PERSON, CORPORATION OR OTHER FIRM RECEIVING IT IS DEEMED, BY RECEIVING IT, TO AGREE THAT IT, AND/OR ANY PART OF IT, SHALL NOT BE DISCLOSED TO ANY PERSON, CORPORATION OR OTHER ENTITY, DUPLICATED, AND/OR USED, EXCEPT AS EXPRESSLY APPROVED IN WRITING IN ADVANCE BY OWNER. THIS DOCUMENT SHALL BE RETURNED TO OWNER UPON REQUEST. IT MAY BE SUBJECT TO CERTAIN RESTRICTIONS UNDER APPLICABLE EXPORT CONTROL LAWS AND REGULATIONS.

DRAWN BY:  
 JRUPER  
 DATE:  
 09-23-2001  
 APPROVED BY:  
 JRUPER  
 DATE:  
 09-23-2001  
 REFERENCE

REGAL™ Regal Beloit America, Inc.	
DESCRIPTION	MODEL-RFHP-42FR OUTLINE
MATERIAL	PROCESS/FINISH
THIRD ANGLE PROJECTION	SIZE DWG NO C DE3F7115
	SHEET 1