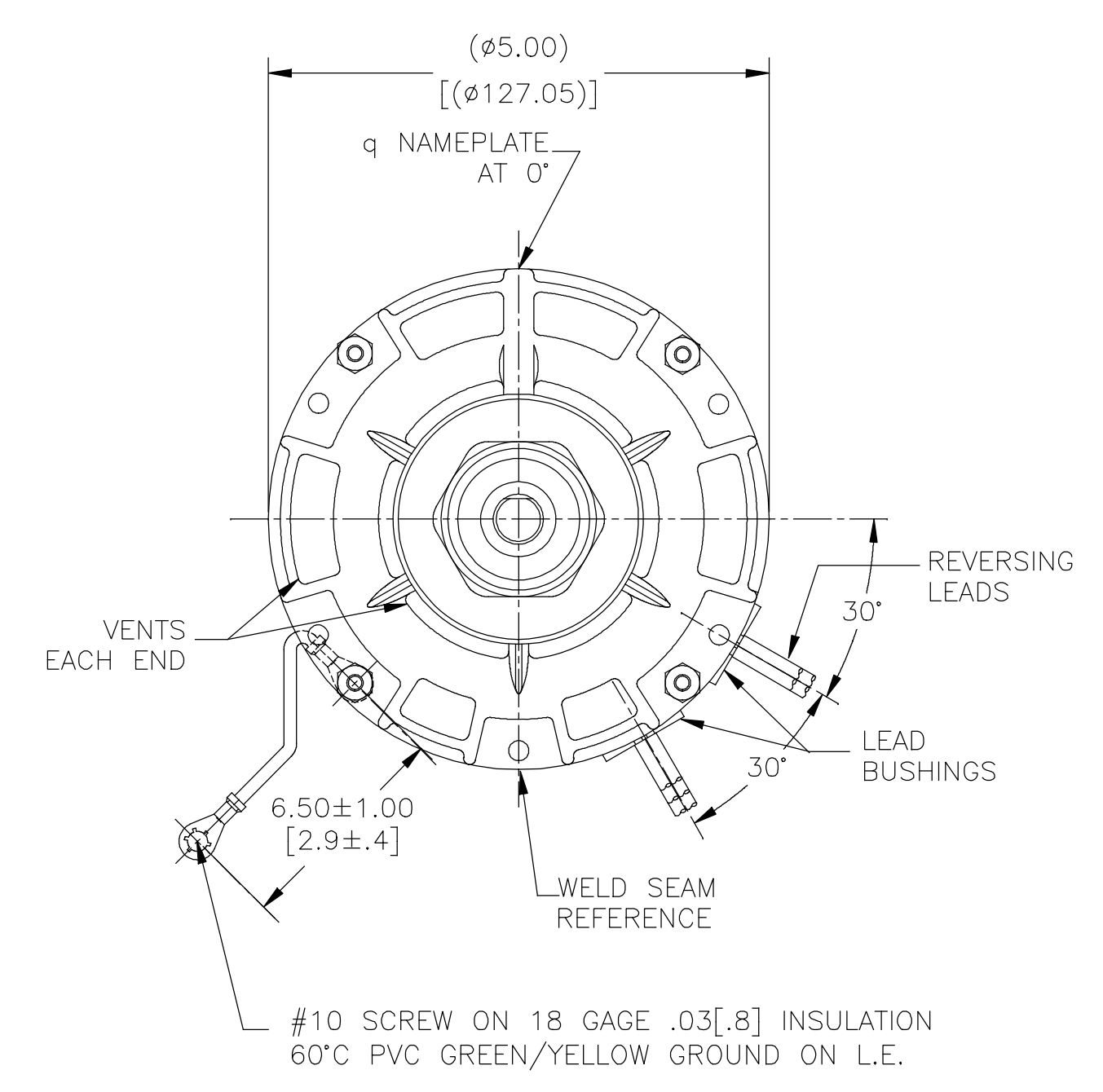
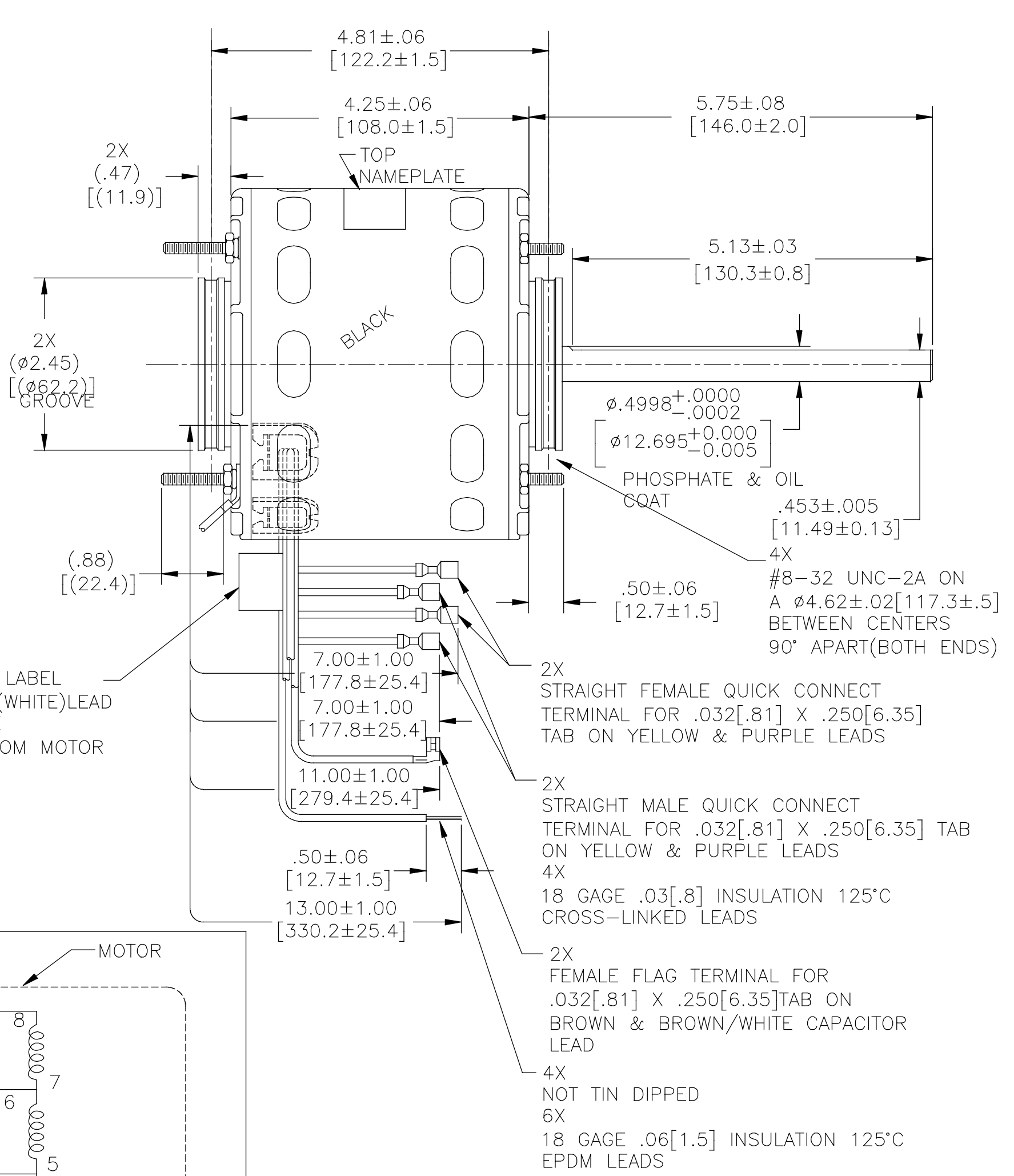


CUSTOMER IS SOLELY RESPONSIBLE FOR MOTOR PERFORMANCE AND SUITABILITY IN APPLICATIONS FOR CUSTOMER'S USES

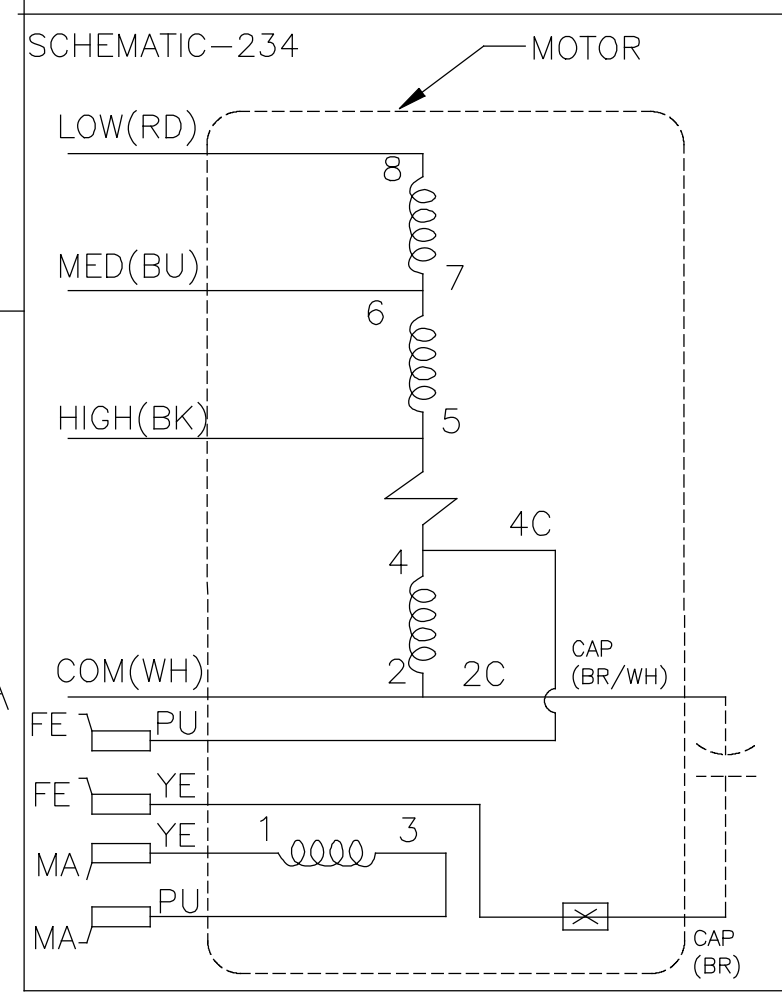
END PLAY .005[.13] MINIMUM-.040 [1.02] MAXIMUM  
 MAXIMUM SHAFT RUNOUT .001[.03]PER INCH  
 MAXIMUM RUN OUT NOT TO EXCEED .010[.25]



CONNECTION LABEL ON COMMON(WHITE)LEAD APPROXIMATE 2.00[50.8]FROM MOTOR

CONNECTION LABEL 63T7433-305

CCWLE	PLUG IN YELLOW LEAD TO PURPLE LEAD
CWLE	PLUG IN PURPLE LEAD TO PURPLE LEAD



ROT: REVERSIBLE

NAMEPLATE DATA:

**Century** Tipp City, OH THERMALLY PROTECTED

SER. DATE & PO# PLT LTR MOD DE2D205N' STK NO. 9710  
 VOLTS 208-230 HZ 60/50 AMPS .84  
 RPM 1625/3 SPD PH1 CAP 5 MDF/370 VAC  
 INS CL B AMB 40°C HP 1/10 CONT. A0 ← ROT REV →  
 BRG SLV ASSEMBLED IN MEXICO

DRAWING REVISION	REVISION BY	DATE
F	HANNA.ZOU	07-25-2018
ECO	APPROVED BY	DATE
ECO-0149422	DEXIAN.LI	07-25-2018
ECO DESCRIPTION		
SEE ECO		

COPYRIGHT REGAL BELOIT AMERICA, INC. ALL RIGHTS RESERVED. PROPRIETARY AND CONFIDENTIAL INFORMATION - THIS DOCUMENT IS THE PROPERTY OF REGAL BELOIT AMERICA, INC. (OWNER) AND CONTAINS OWNER'S PROPRIETARY INFORMATION. ANY PERSON, CORPORATION OR OTHER FIRM RECEIVING IT IS DEEMED, BY RECEIVING IT, TO AGREE THAT IT, AND/OR ANY PART OF IT, SHALL NOT BE DISCLOSED TO ANY PERSON, CORPORATION OR OTHER ENTITY, DUPLICATED, AND/OR USED, EXCEPT AS EXPRESSLY APPROVED IN WRITING IN ADVANCE BY OWNER. THIS DOCUMENT SHALL BE RETURNED TO OWNER UPON REQUEST. IT MAY BE SUBJECT TO CERTAIN RESTRICTIONS UNDER APPLICABLE EXPORT CONTROL LAWS AND REGULATIONS.

DRAWN BY:	JRUPER		Regal Beloit America, Inc.
DATE:	09-23-2001		DESCRIPTION
APPROVED BY:	JRUPER	MATERIAL	PROCESS/FINISH
DATE:	09-23-2001	THIRD ANGLE PROJECTION	SIZE DWG NO
REFERENCE			DE2D7205
			SHEET 1