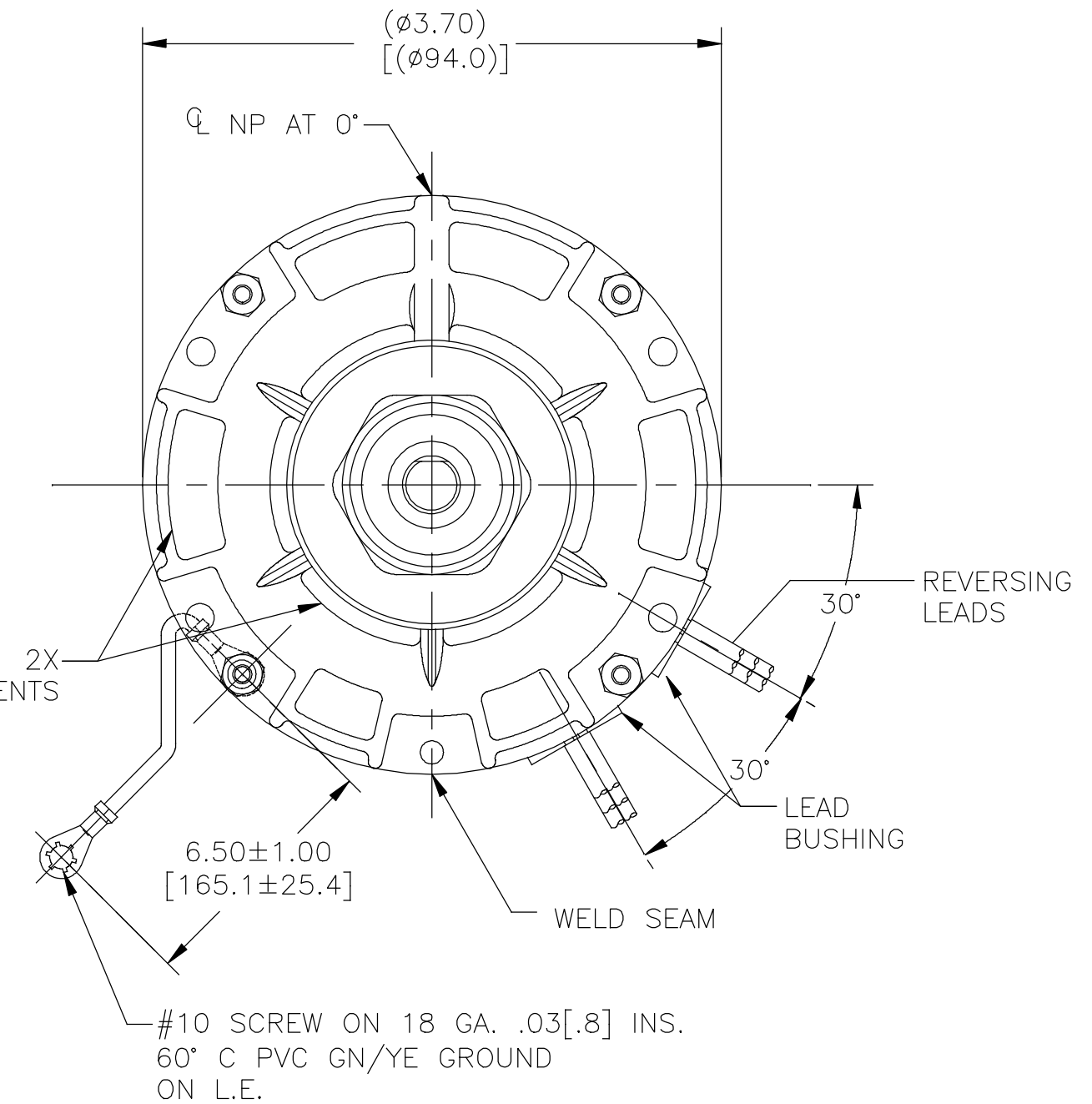
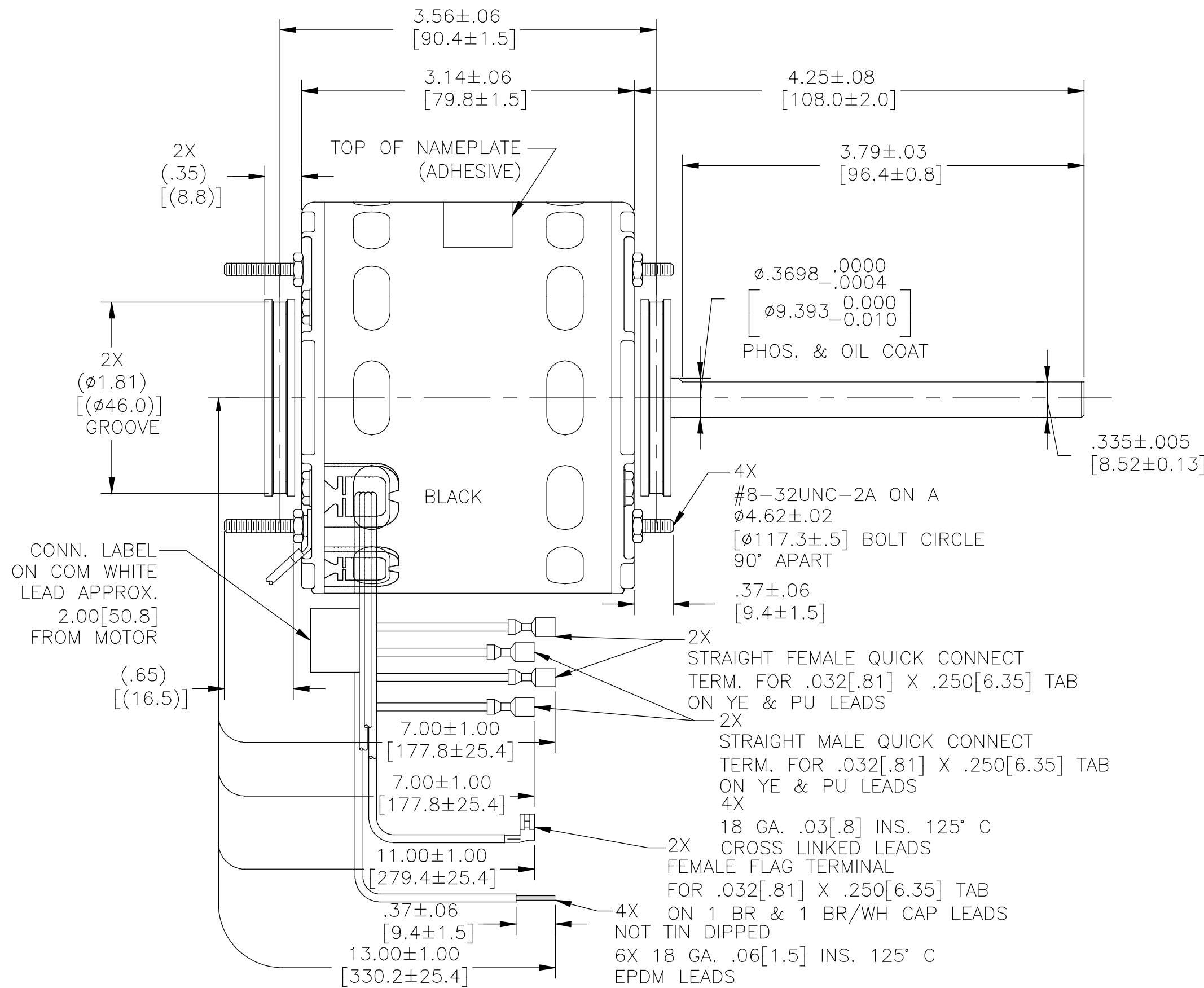


CUSTOMER IS SOLELY RESPONSIBLE FOR MOTOR PERFORMANCE AND SUITABILITY IN APPLICATIONS FOR CUSTOMER'S USES.

END PLAY .005[.13] MIN - .040[1.02] MAX
 MAX. SHAFT RUN OUT .001[.02] PER INCH
 MAX. RUN OUT NOT TO EXCEED .010[.25]



ELECTRICALLY PER SAMPLE 0442638C CURVE C32439

SCHEMATIC-234 ROT.: - REVERSIBLE

NAMEPLATE DATA:

Century Tipp City, OH THERMALLY PROTECTED **SP** **RU**

SER. DATE & P0# PLT LTR MOD DE2D206N' 9708

VOLTS 115 HZ 60 AMPS 2.1

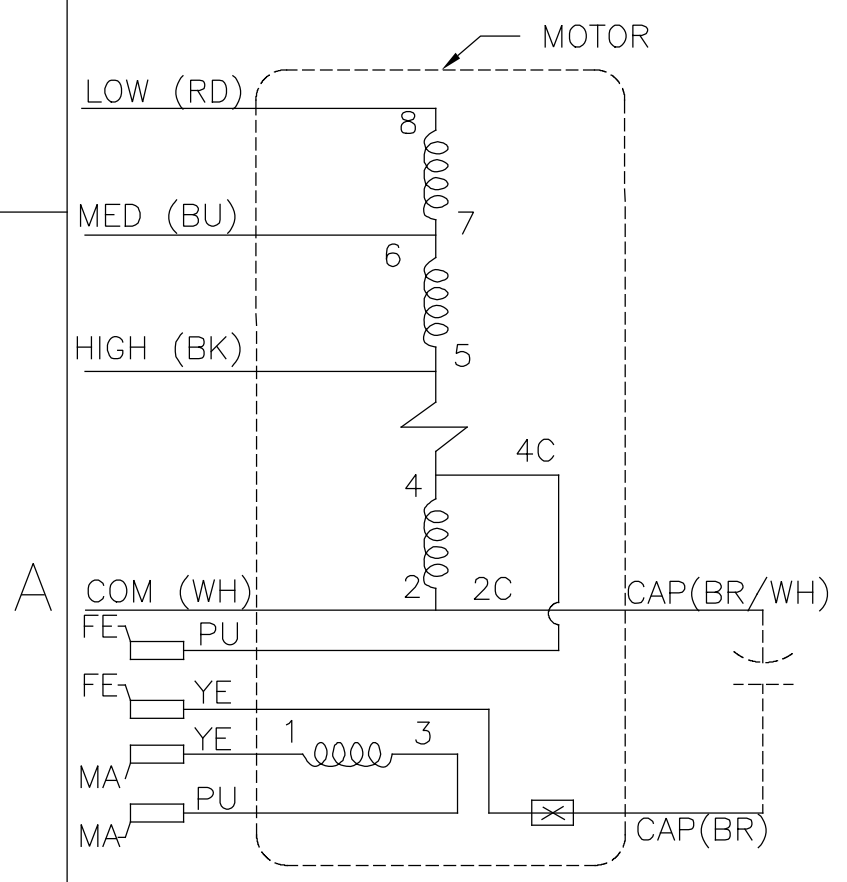
RPM 1625 SP3 PH1 CAP 5 MFD/370 VAC

INS CL B AMB40°C HP 1/10 CONT. A.O. ←ROT REV→

BRG SLV ASSEMBLED IN MEXICO

CONN. LABEL 63T7433-305

CCWLE	PLUG IN YELLOW LEAD TO PURPLE LEAD
CWLE	PLUG IN PURPLE LEAD TO PURPLE LEAD



DRAWING REVISION	REVISION BY	DATE
B	HANNA.ZOU	07-25-2018
ECO	APPROVED BY	DATE
ECO-0149422	DEXIAN.LI	07-25-2018
ECO DESCRIPTION		
SEE ECO		

COPYRIGHT REGAL BELOIT AMERICA, INC. ALL RIGHTS RESERVED. PROPRIETARY AND CONFIDENTIAL INFORMATION - THIS DOCUMENT IS THE PROPERTY OF REGAL BELOIT AMERICA, INC. (OWNER) AND CONTAINS OWNER'S PROPRIETARY INFORMATION. ANY PERSON, CORPORATION OR OTHER FIRM RECEIVING IT IS DEEMED, BY RECEIVING IT, TO AGREE THAT IT, AND/OR ANY PART OF IT, SHALL NOT BE DISCLOSED TO ANY PERSON, CORPORATION OR OTHER ENTITY, DUPLICATED, AND/OR USED, EXCEPT AS EXPRESSLY APPROVED IN WRITING IN ADVANCE BY OWNER. THIS DOCUMENT SHALL BE RETURNED TO OWNER UPON REQUEST. IT MAY BE SUBJECT TO CERTAIN RESTRICTIONS UNDER APPLICABLE EXPORT CONTROL LAWS AND REGULATIONS.

DRAWN BY:	JR
DATE:	12-02-2004
APPROVED BY:	GP
DATE:	12-02-2004
PROCESS/FINISH	-
THIRD ANGLE PROJECTION	⊕

REGAL Regal Beloit America, Inc.	
DESCRIPTION	MODEL-RFHP-42FR OUTLINE
MATERIAL	-
SIZE	DWG NO 9708
SHEET	1