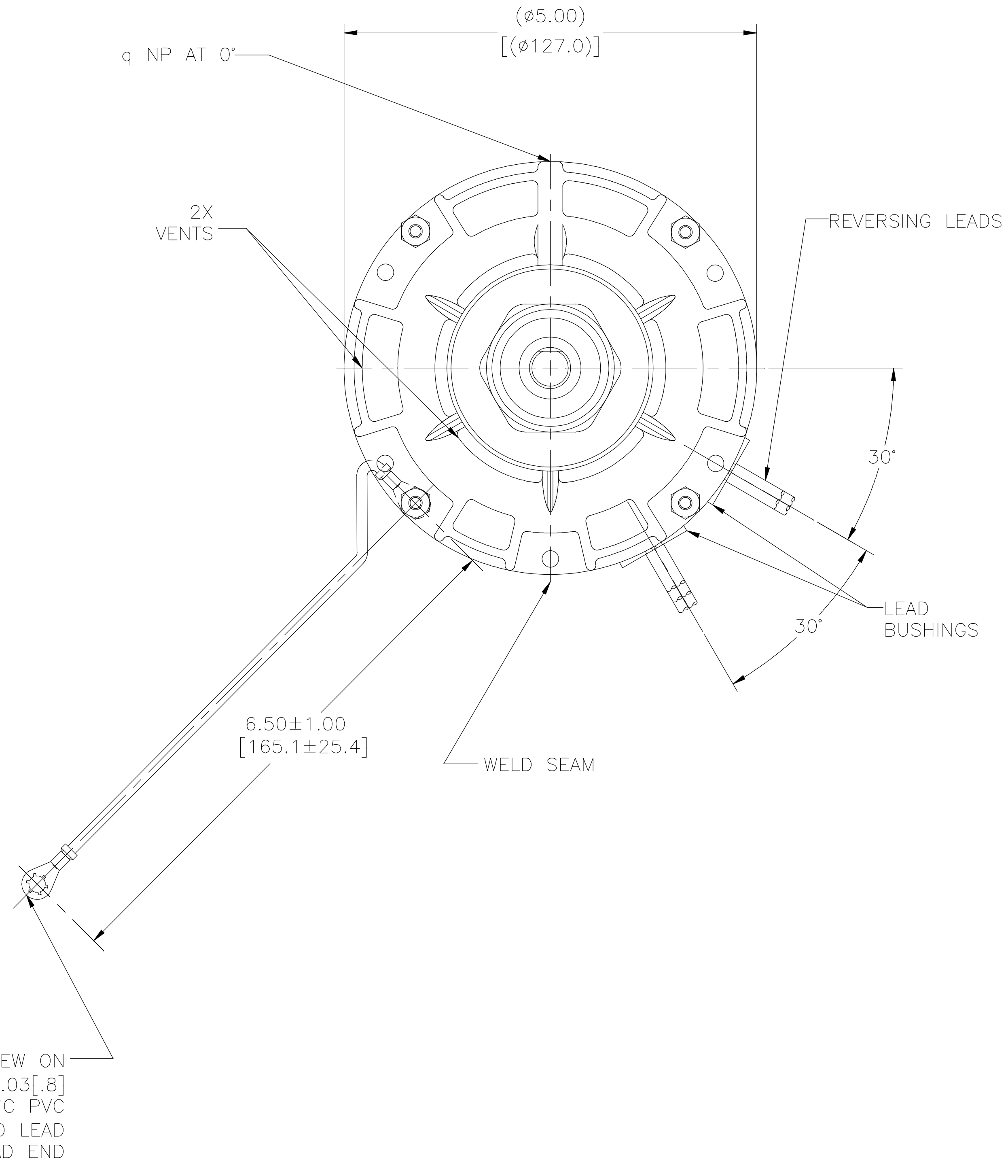
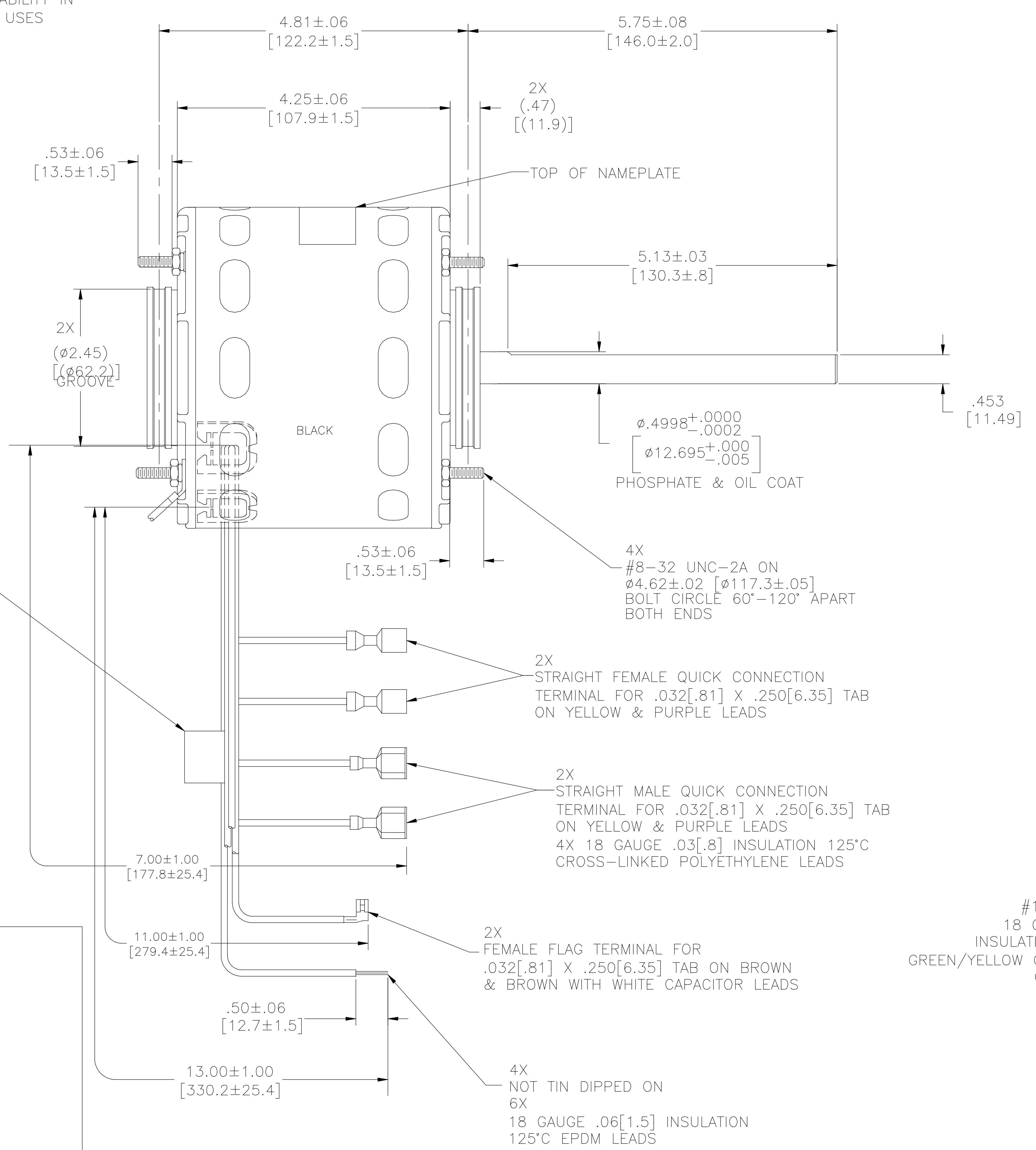
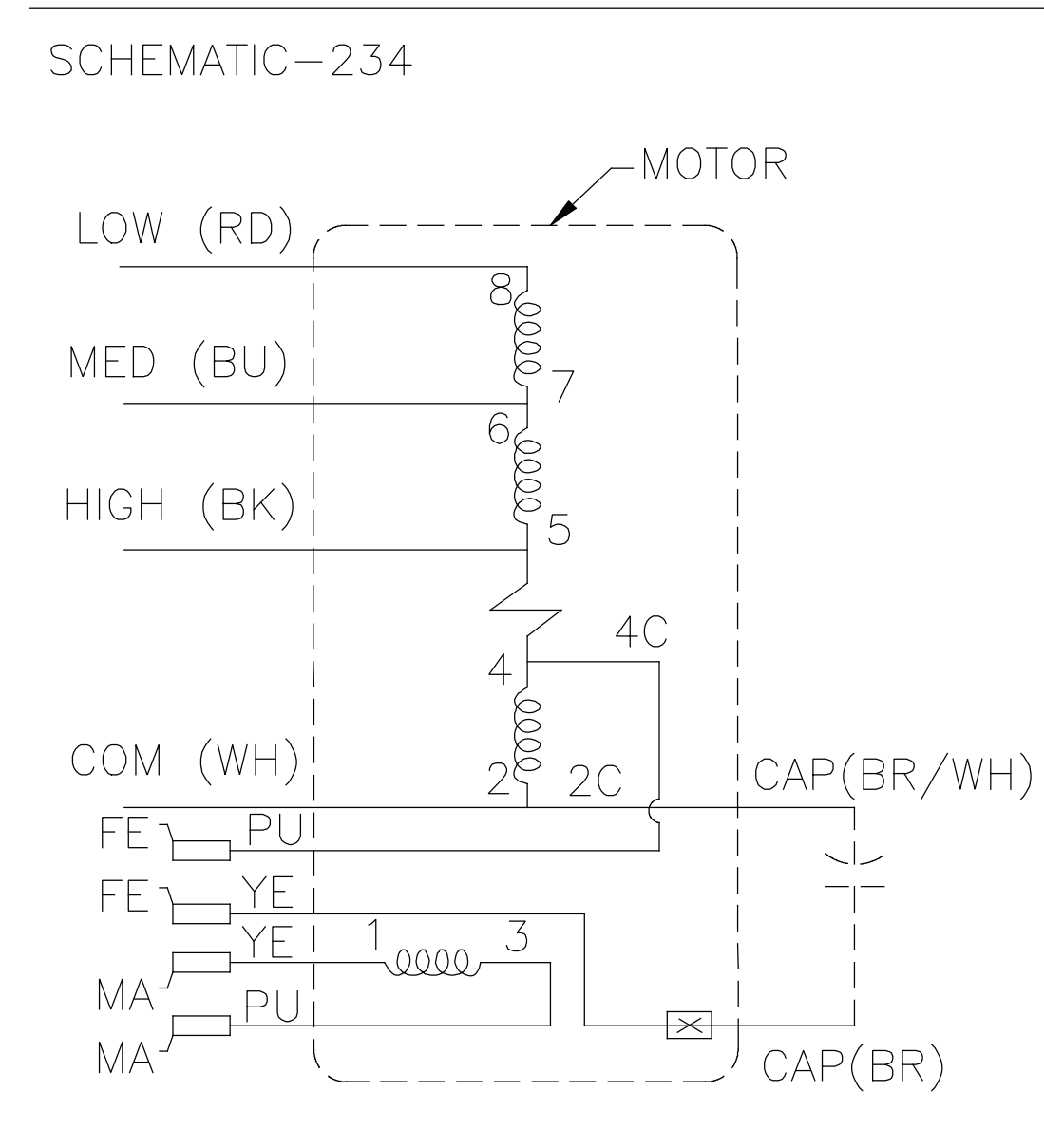


CUSTOMER IS SOLELY RESPONSIBLE FOR MOTOR PERFORMANCE AND SUITABILITY IN APPLICATIONS FOR CUSTOMER'S USES

END PLAY .005[.13] MINIMUM - .040[1.02] MAXIMUM
MAXIMUM SHAFT RUN OUT .001[.03] PER INCH
MAXIMUM RUN OUT NOT TO EXCEED .010[.25]



CONNECTION LABEL ON COMMON WHITE LEAD APPROXIMATELY 2.00[50.8] FROM MOTOR



NOTE:
1. DISTRIBUTION PART NUMBER: 9709
GRAINGER PART NUMBER: 4UY13

CCWLE	PLUG IN YELLOW LEAD TO PURPLE LEAD
CWLE	PLUG IN PURPLE LEAD TO PURPLE LEAD

CONNECTION LABEL 63T7433-305 SEE NOTE 1

ROT: REVERSIBLE

NAMEPLATE DATA:

Century Tipp City, OH THERMALLY PROTECTED **RA**

SER. DATE & PO# PLT LTR MOD DE3F113N'

VOLTS 115 HZ 60 AMPS 1.6

RPM 1075 SP3 PH1 CAP 5MFD/370 VAC

INS CL B AMB 40°C HP 1/10 CONT. A.O. ← ROT REV → ASSEMBLED IN MEXICO

BRG SLV

ELECTRICALLY PER SAMPLE 0442629B PERFORMANCE CURVE NO. C32443

DRAWING REVISION	REVISION BY	DATE
F	HANNA ZOU	07-25-2018
ECO	APPROVED BY	DATE
ECO-0149422	DEXIAN LI	07-25-2018
SEE ECO		

DRAWN BY:	JRUPER
DATE:	12-06-2004
APPROVED BY:	
DATE:	12-06-2004
REFERENCE:	
THIRD ANGLE PROJECTION	
SIZE	D
DWG NO	DE3F7113
SHEET	1

COPYRIGHT REGAL BELLOIT AMERICA, INC. ALL RIGHTS RESERVED. INFORMATION AND COMMERCIAL INFORMATION: THIS DOCUMENT IS THE PROPERTY OF REGAL BELLOIT AMERICA, INC. IT IS LOANED TO YOU BY REGAL BELLOIT AMERICA, INC. AND IS NOT TO BE REPRODUCED, COPIED, OR TRANSMITTED IN ANY FORM OR BY ANY MEANS, ELECTRONIC OR MECHANICAL, INCLUDING PHOTOCOPYING, RECORDING, OR BY ANY INFORMATION STORAGE AND RETRIEVAL SYSTEM, WITHOUT THE WRITTEN PERMISSION OF REGAL BELLOIT AMERICA, INC. ANY UNAUTHORIZED USE OF THIS DOCUMENT IS PROHIBITED. REGAL BELLOIT AMERICA, INC. SHALL BE HELD HARMLESS FROM ANY AND ALL DAMAGES, INCLUDING REASONABLE ATTORNEY'S FEES, ARISING FROM ANY SUCH UNAUTHORIZED USE. REGAL BELLOIT AMERICA, INC. SHALL BE HELD HARMLESS FROM ANY AND ALL DAMAGES, INCLUDING REASONABLE ATTORNEY'S FEES, ARISING FROM ANY SUCH UNAUTHORIZED USE.