

GENERAL INFORMATION:

SHAFT RUNOUT: .001[.03] T.I.R. PER INCH LENGTH OF EXTENSION.

END PLAY: .010 TO .063 [.25 TO 16.0]

BEARINGS: SLEEVE

MOUNTING POSITION: HORIZONTAL

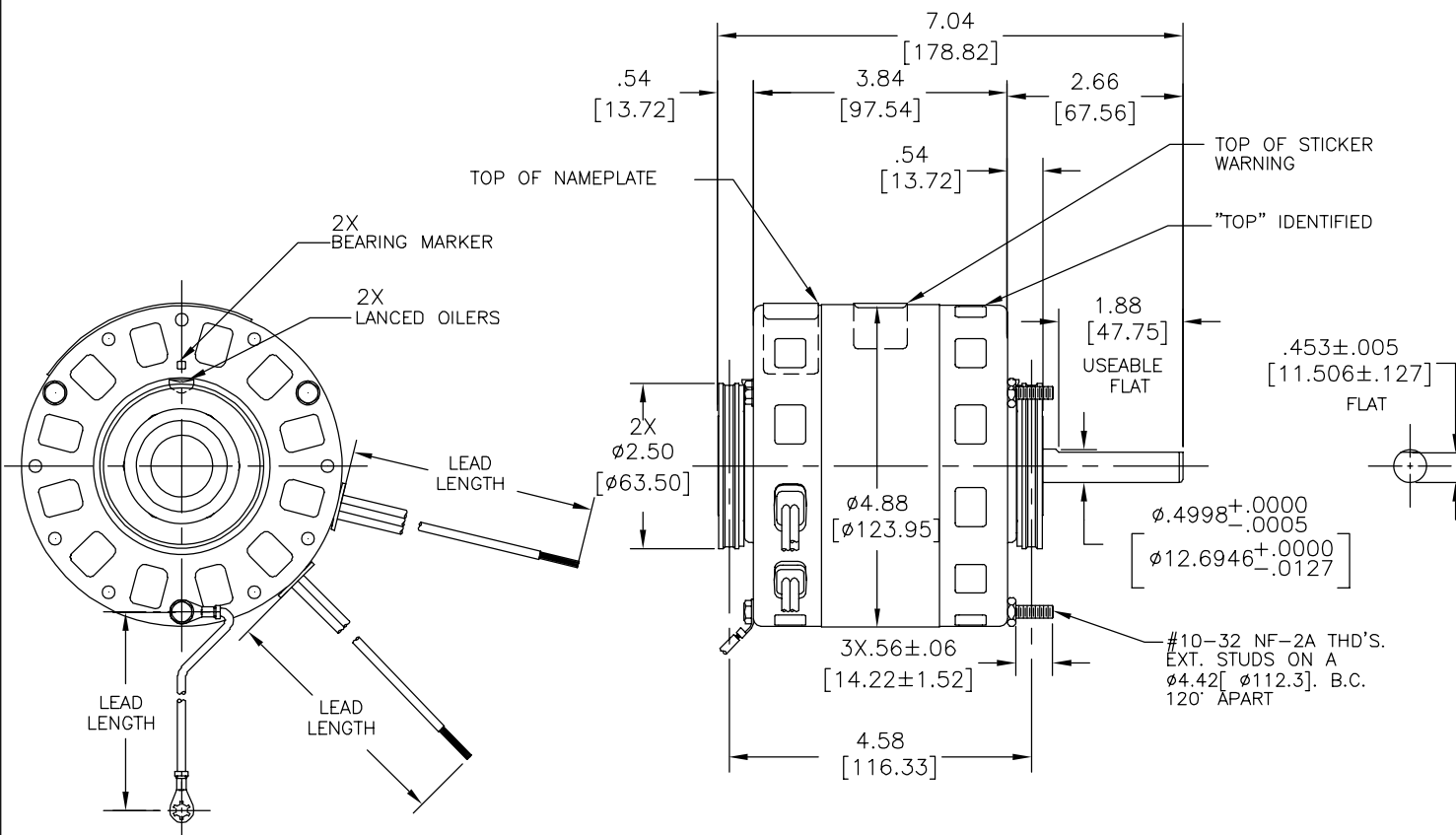
ELECTRICAL DATA:

OVERLOAD PROTECTOR: AUTOMATIC RESET (T.I. 7AM 034)

LEADS: NO. 18 GA., .06[1.5] THK., 125°C INSUL.

GROUND LEAD: NO. 18 GA., .03[.8] THK., GREEN INSUL.

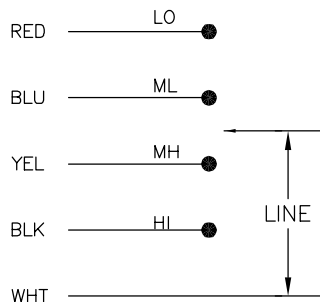
NOTE:  
DISTRIBUTION: CUST. P/N: BL6416  
GRAINGER: CUST. P/N: 4KA40



NAMEPLATE DATA:

EXTERNAL CONNECTION DIAGRAM

MODEL NO.: 319P368  
CUST. P/N: [ ]  
HP: 1/5  
ROT: CCWLE  
RPM: 1050/4 SPD.  
TYPE: FE  
FRAME: 42Y  
VOLTS: 115  
PH: 1  
AMPS: 7.1  
HZ: 60  
INS: A  
AMB: 40C  
DUTY: AIR OVER  
CAP.: -  
UL & CSA LOGO  
THERMALLY PROTECTED TYPE C



GREEN(GRD)	9.5/10.5[241/267]	#10 EYELET
RED	35/38[889/965]	.60[15.2] SKIN
BLUE	35/38[889/965]	.60[15.2] SKIN
YELLOW	35/38[889/965]	.60[15.2] SKIN
WHITE	35/38[889/965]	.60[15.2] SKIN
BLACK	35/38[889/965]	.60[15.2] SKIN
COLOR	LENGTH	TERMINAL OR STRIP LENGTH

MAIN FRAME - OLE	OPEN
END FRAME - OLE	OPEN
MAIN FRAME - LE	OPEN
END FRAME - LE	OPEN

PERFORMANCE CURVE NO.	TORQUE @ 1050 RPM (25°C)	APPROVED SAMPLE	UL COMPONENT		CSA	
			FILE #	GUIDE #	FILE #	GUIDE #
C31093	21.5 OZ. FT.	PSD 7576	E46412	PRGY2	LR43341	260-Ø-0

LEAD DATA

ENCLOSURE

CUST. DISTRIBUTION SERVICES

DRAWING REVISION: F	REVISION BY: E.VILLA	DATE: 05-13-2014	TOLERANCES UNLESS OTHERWISE SPECIFIED	DRAWN BY: J.RUPERT	Regal Beloit America, Inc.
ECO-0051079	APPROVED BY: J.RUIZ	DATE: 05-13-2014	DEC. INCH mm ANGLE .X ±0.1 [±2.5] ±0.5° .XX ±0.02 [±0.51] .XXX ±0.005 [±0.127] .XXXX ±0.0005 [±0.0127]	DATE: 05-27-2003	
SEE ECO			REMOVE BURRS & BREAK SHARP EDGES .003/.015 [0.076/.381] CORNER FILLETS .02 [1.51] MACHINED SURFACES 125 INCH/mm 3.2 DIM SHOWN IN [BRACKETS]	APPROVED BY: J.RUPERT	DESCRIPTION: OUTLINE
<small>COPYRIGHT REGAL BELOIT AMERICA, INC. ALL RIGHTS RESERVED. PROPRIETARY AND CONFIDENTIAL INFORMATION - THIS DOCUMENT IS THE PROPERTY OF REGAL BELOIT AMERICA, INC. (OWNER) AND CONTAINS OWNER'S PROPRIETARY INFORMATION. ANY PERSON, CORPORATION OR OTHER FIRM RECEIVING IT IS DEEMED, BY RECEIVING IT, TO AGREE THAT IT, AND/OR ANY PART OF IT, SHALL NOT BE DISCLOSED TO ANY PERSON, CORPORATION OR OTHER ENTITY, DUPLICATED, AND/OR USED, EXCEPT AS EXPRESSLY APPROVED IN WRITING IN ADVANCE BY OWNER. THIS DOCUMENT SHALL BE RETURNED TO OWNER UPON REQUEST. IT MAY BE SUBJECT TO CERTAIN RESTRICTIONS UNDER APPLICABLE EXPORT CONTROL LAWS AND REGULATIONS.</small>			DATE: 05-27-2003	MATERIAL:	
			THIRD ANGLE PROJECTION	SIZE DWG NO: C 11674-027	SHEET: 1