

REV	ECO	REV BY	DATE	APPD	DATE
D	0026377	T.CUI	05-28-2012	B.SHEN	05-28-2012

GENERAL INFORMATION:

SHAFT RUNOUT: .001[.03] T.I.R. PER INCH LENGTH OF EXTENSION.

END PLAY: .010[.25] TO .063[1.60]

BEARINGS: SLEEVE

MOUNTING POSITION: HORIZONTAL

ELECTRICAL DATA:

OVERLOAD PROTECTOR: AUTOMATIC RESET (T.I. 7AM 034)

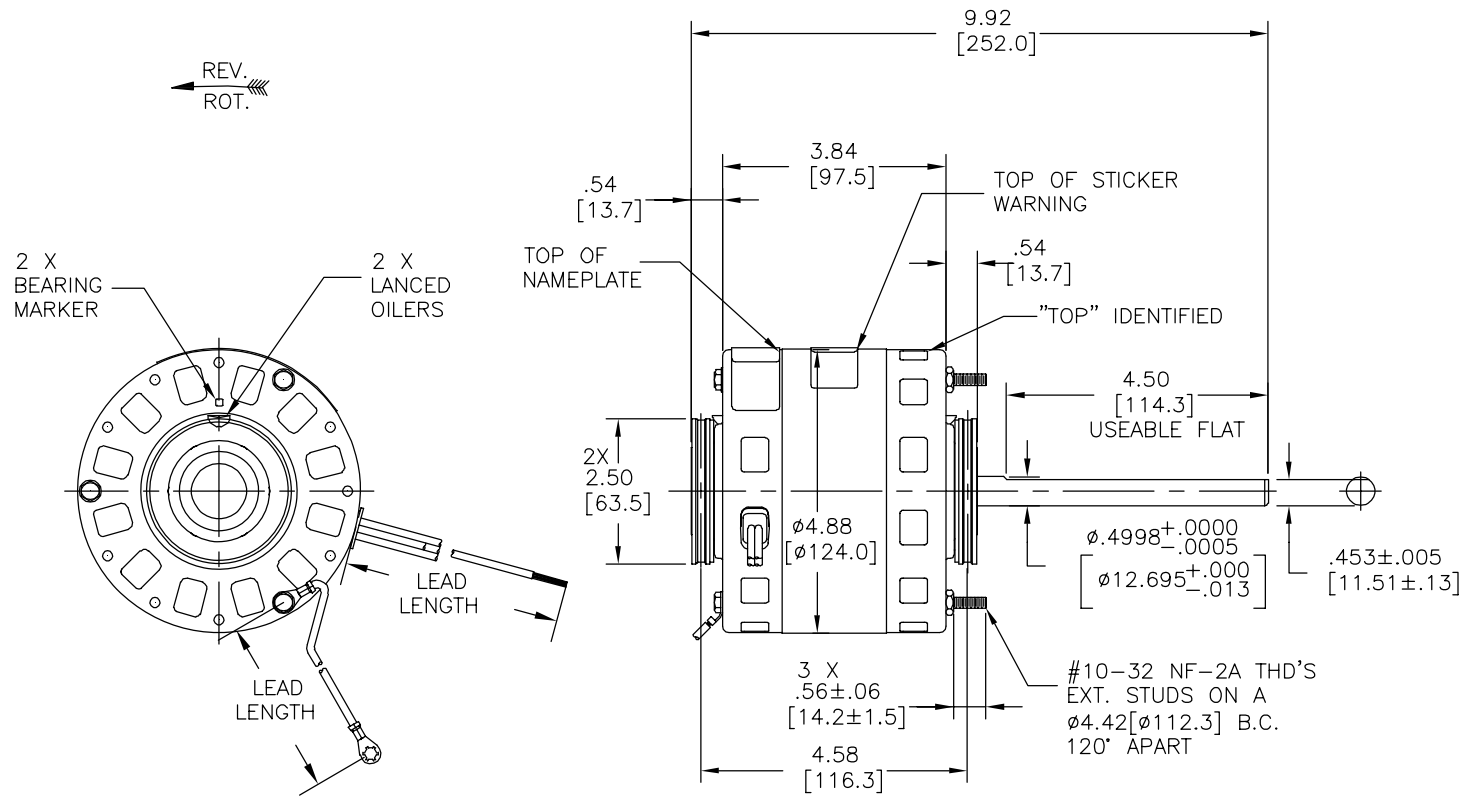
LEADS: NO. 18 GA., .03 THK., 125°C INSUL.

GROUND LEAD: NO. 18 GA., .03 THK., GREEN INSUL.

NOTE:

DISTRIBUTION: CUST. P/N: BL6414
GRAINGER: CUST. P/N: 4KA41

SEE NOTE



GREEN(GRD)	9.5/10.5 [241/267]	#10 EYELET
RED	35/38 [889/965]	.60[15.2] SKIN
BLUE	35/38 [889/965]	.60[15.2] SKIN
WHITE	35/38 [889/965]	.60[15.2] SKIN
BLACK	35/38 [889/965]	.60[15.2] SKIN

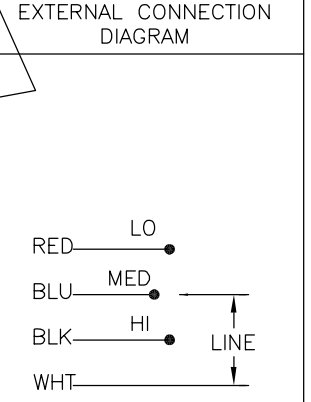
COLOR	LENGTH	TERMINAL OR STRIP LENGTH
GREEN(GRD)	9.5/10.5 [241/267]	#10 EYELET
RED	35/38 [889/965]	.60[15.2] SKIN
BLUE	35/38 [889/965]	.60[15.2] SKIN
WHITE	35/38 [889/965]	.60[15.2] SKIN
BLACK	35/38 [889/965]	.60[15.2] SKIN

MAIN FRAME - OLE	OPEN
END FRAME - OLE	OPEN
MAIN FRAME - LE	OPEN
END FRAME - LE	OPEN

CUSTOMER	DISTRIBUTION SERVICE
----------	----------------------

NAMEPLATE DATA:

MODEL NO.: 319P852
CUST. P/N: []
HP: 1/5, 1/8, 1/10
ROT: CCWLE
RPM: 1050
TYPE: FE
FRAME: 42Y
VOLTS: 115
PH: 1
AMPS: 6.5, 4.0, 3.0
HZ: 60
INS: A
AMB: 40°C
DUTY: AIR OVER
CAP.: -
UL & CSA LOGO
THERMALLY PROTECTED
TYPE C



PERFORMANCE CURVE NO.	TORQUE @1075 RPM (25°C)	APPROVED SAMPLE	UL COMPONENT	CSA
C32021	15.4 OZ. FT.	0143046A	FILE # CCN # FILE # CLASS #	

GEOMETRIC CHARACTERISTICS & SYMBOLS
 ▽ FLATNESS
 - STRAIGHTNESS
 ∠ ANGULARITY
 ⊥ PERPENDICULARITY (SQUARENESS)
 // PARALLELISM
 ○ ROUNDNESS (CIRCULARITY)
 ∅ CYLINDRICITY
 △ PROFILE OF ANY SURFACE
 ∩ PROFILE OF ANY LINE
 / RUNOUT
 ⊕ TRUE POSITION
 ⊙ CONCENTRICITY
 = SYMMETRY
 ASME Y14.5M 1994

REGAL-BELOIT CORPORATION (RBC) PROVIDES TECHNICAL ASSISTANCE TO OUR CUSTOMERS IN SEVERAL AREAS. SINCE RBC DOES NOT RECEIVE ALL DATA CONCERNING THE USE AND APPLICATION OF THE MOTOR, THE SUITABILITY OF THE MOTOR FOR THE APPLICATION MUST BE DETERMINED BY THE CUSTOMER.
 DIMENSIONS WITHOUT TOLERANCES ARE FOR REFERENCE ONLY.

DR BY:	J. RUPERT	12-04-2003
APPD:	J. RUPE	12-04-2003
THIRD ANGLE PROJECTION	EDS DATE 11-11-2011	FORMAT REV H
CONFIDENTIAL: THIS DRAWING AND ITS INFORMATION ARE THE EXCLUSIVE AND CONFIDENTIAL PROPERTY OF REGAL-BELOIT CORPORATION AND ARE NOT TO BE DISCLOSED, DUPLICATED, DISTRIBUTED OR OTHERWISE USED WITHOUT THE WRITTEN CONSENT OF REGAL-BELOIT CORPORATION. -ALL RIGHTS RESERVED.		

REGAL REGAL-BELOIT CORPORATION	
DESCRIPTION	OUTLINE
SIZE C	DWG NO 11674-028
SCALE NONE	SHEET 1