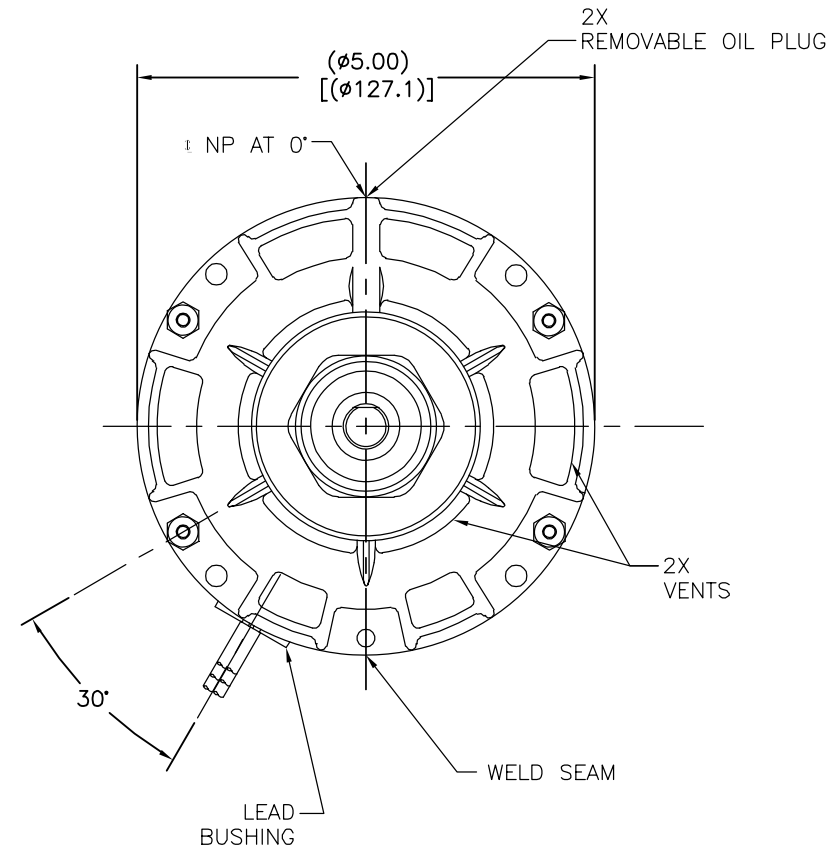
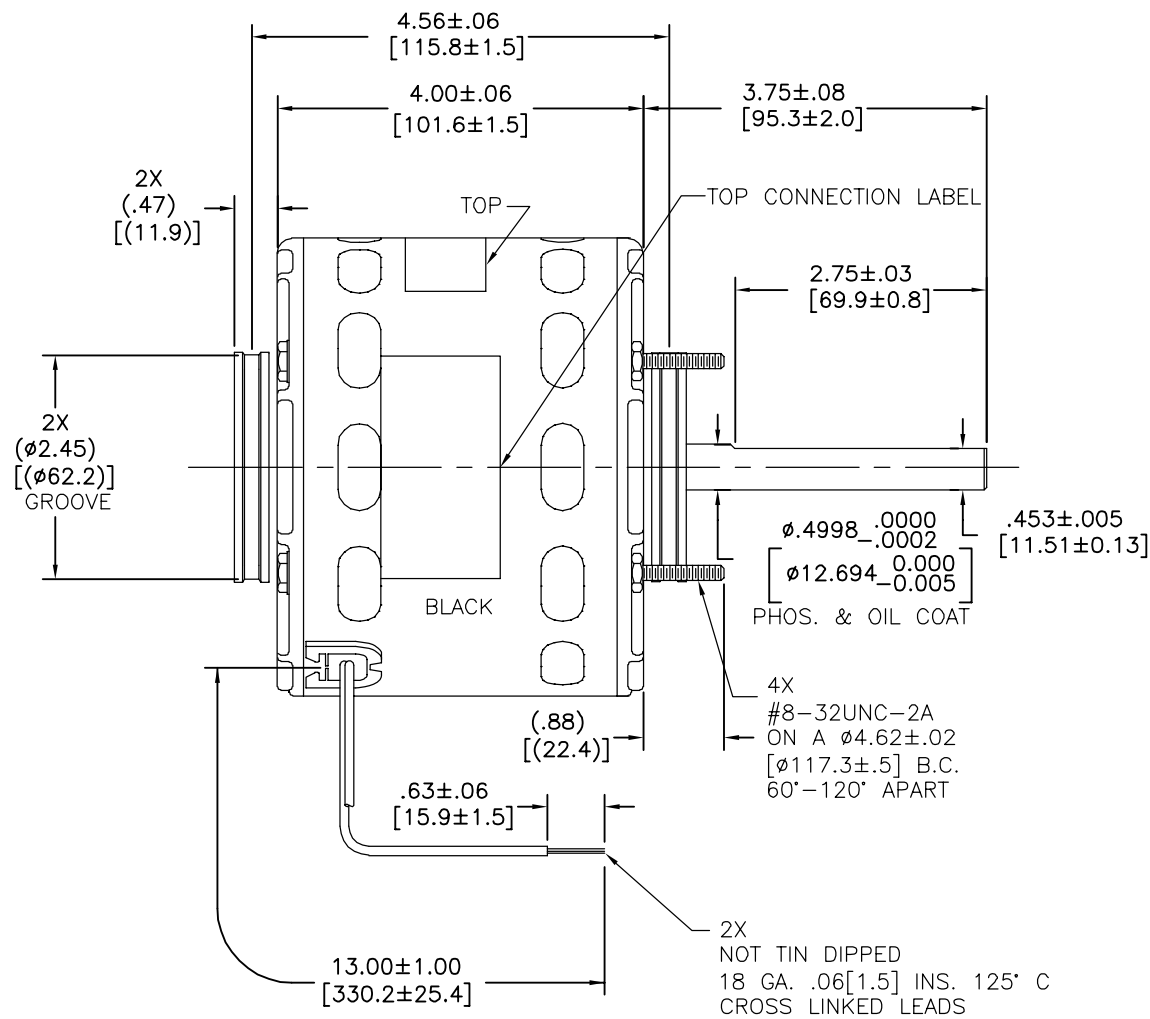


CUSTOMER IS SOLELY RESPONSIBLE FOR MOTOR PERFORMANCE AND SUITABILITY IN APPLICATIONS FOR CUSTOMER'S USES.

END PLAY .005[.13] MIN - .040[1.02] MAX
 MAX. SHAFT RUN OUT .001[.02] PER INCH
 MAX. RUN OUT NOT TO EXCEED .010[.25]



NOTE
 1. DISTRIBUTION PART NUMBER: 9690
 GRAINGER PART NUMBER: 4UU89

SEE NOTE 1

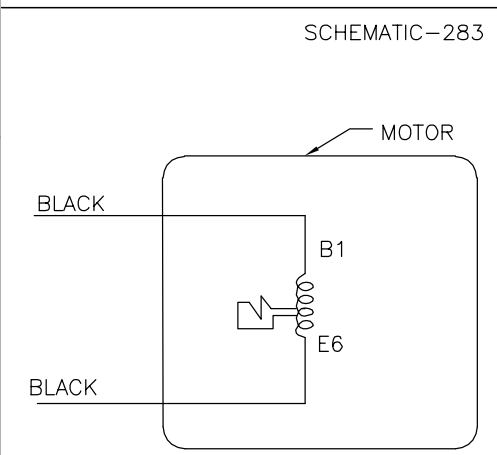
ROT.: - CCWLE

NAMEPLATE DATA:

Century Tipp City, OH
 THERMALLY PROTECTED

SER. DATE & PO# PLT LTR DA3H026N"
 VOLTS 115 HZ 60 AMPS 6.7
 RPM 1050 SP 1 PH 1 CAP
 INS CL B AMB 40°C HP 1/5 CONT. A.O. ← CCWLE
 BRG SLV ASSEMBLED IN MEXICO

CONN. LABEL
 2519596-001



ELECTRICALLY PER
 SAMPLE S-9317E
 CURVE #32447

DRAWING REVISION	REVISION BY	DATE	TOLERANCES UNLESS OTHERWISE SPECIFIED
G	R.ZHOU	01-27-2015	DEC. INCH mm ANGLE
ECO	APPROVED BY	DATE	X ±0.1 [±2.5] ±0.5°
ECO-0070368	C.ZHANG	01-27-2015	.XX ±0.02 [±0.51]
SEE ECO			.XXX ±0.005 [±0.127]
			.XXXX ±0.0005 [±0.0127]
			REMOVE BURRS & BREAK SHARP EDGES .003/.015 [0.076/.381]
			CORNER FILLETS .02 [0.51]
			MACHINED SURFACES .125/ mm 3/2
			mm SHOWN IN [BRACKETS]

DRAWN BY:	DATE:
APPROVED BY:	DATE:
REFERENCE:	MATERIAL:
THIRD ANGLE PROJECTION	SIZE DWG NO

REGAL Regal Beloit America, Inc.	
DESCRIPTION	MODEL-RFHP-42FR OUTLINE
PROCESS/FINISH	
SIZE DWG NO	DA3H7026
SHEET	1