

4

3

2

1

| REV | ECO | REV BY | DATE | APPD | DATE |
|-----|---------|------------|------------|----------|------------|
| . | 0026399 | J.AGUILERA | 05-28-2012 | R.RASCON | 05-28-2012 |

GENERAL INFORMATION:

SHAFT RUNOUT: .001[.03] T.I.R. PER INCH LENGTH OF EXTENSION.

END PLAY: .010[.30] TO .063[1.60]

BEARINGS: SLEEVE

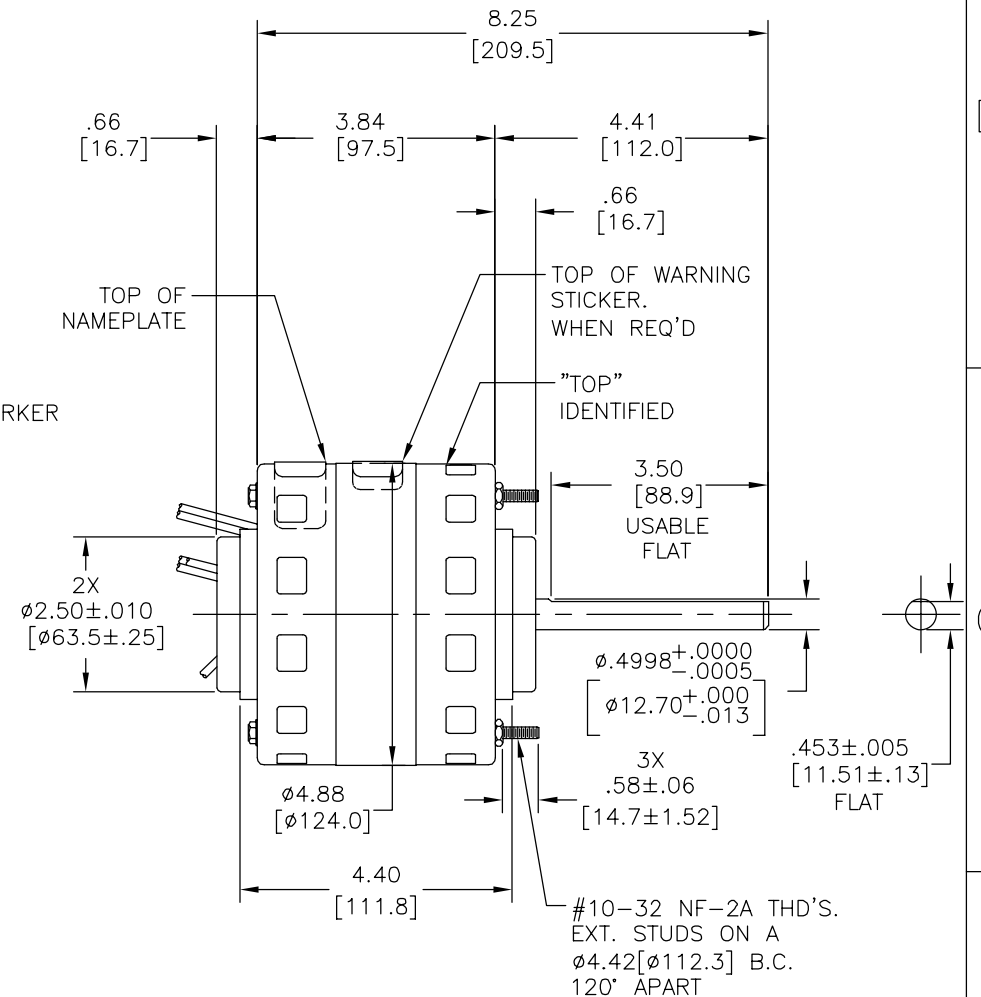
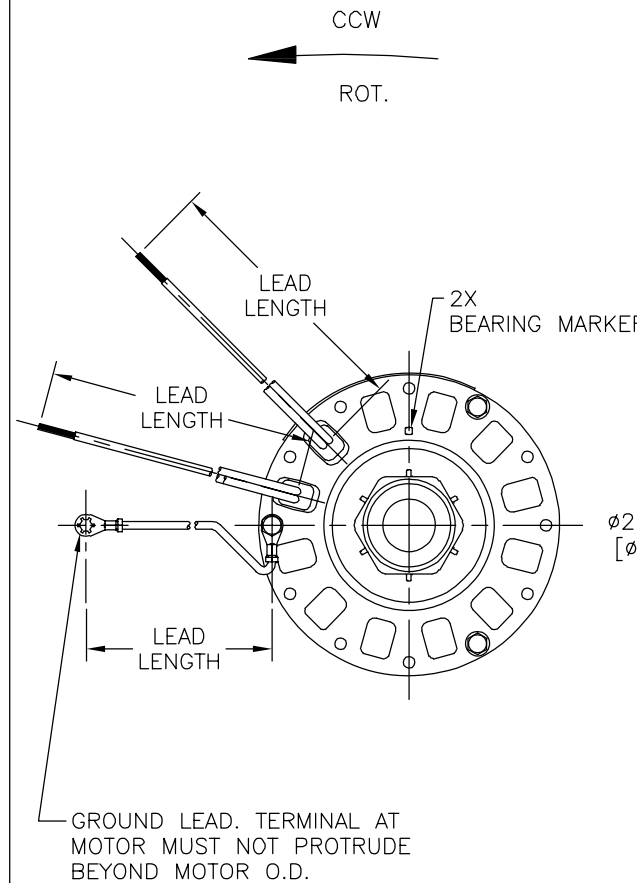
MOUNTING POSITION: HORIZONTAL

ELECTRICAL DATA:

OVERLOAD PROTECTOR: AUTOMATIC RESET (T.I. 7AM 304)

LEADS: NO. 18 GA. , .06[1.5] THK. , 125°C INSUL.

GROUND LEAD: NO. 18 GA. , .03[.8] THK. , GREEN/YELLOW INSUL.



| COLOR | LENGTH | TERMINAL OR STRIP LENGTH |
|--------------------|-----------------------|--------------------------|
| GREEN/YELLOW (GRD) | 5.5/6.5 [139.7/165.1] | #10 EYELET |
| RED | 23.0/25.0 [584/635] | .50[12.7] SKIN |
| BLUE | 23.0/25.0 [584/635] | .50[12.7] SKIN |
| ORANGE | 23.0/25.0 [584/635] | .50[12.7] SKIN |
| WHITE | 23.0/25.0 [584/635] | .50[12.7] SKIN |
| BLACK | 23.0/25.0 [584/635] | .50[12.7] SKIN |

| | |
|------------------|------|
| MAIN FRAME - OLE | OPEN |
| END FRAME - OLE | OPEN |
| MAIN FRAME - LE | OPEN |
| END FRAME - LE | OPEN |

| | |
|----------|----------------------|
| CUSTOMER | DISTRIBUTION SERVICE |
|----------|----------------------|

| NAMEPLATE DATA: | EXTERNAL CONNECTION DIAGRAM |
|--|-----------------------------|
| MODEL NO.: 326P149 CUST. P/N: BL6419 HP: 1/6, 1/8, 1/10, 1/12 ROT.: CCWLE RPM: 1050/4 SPD. TYPE: FE FRAME: 42Y VOLTS: 115 PH: 1 AMPS: 5.5 HZ: 60 INS.: B AMB.: 40° C DUTY: AIR COVER CAP.: - ENCL: - UL LOGO CSA LOGO THERMALLY PROTECTED TYPE C | |

| PERFORMANCE CURVE NO. | TORQUE @ 1050 RPM (25°C) | APPROVED SAMPLE | UL COMPONENT FILE # | CCN # | CSA FILE # | CLASS # |
|-----------------------|--------------------------|-----------------|---------------------|-------|------------|---------|
| C30178 | 114.4 OZ. FT. | PSE7725B | E46412 | PRGY2 | LR43341 | 4211-01 |

GEOMETRIC CHARACTERISTICS & SYMBOLS

- ▭ FLATNESS
- STRAIGHTNESS
- ∠ ANGULARITY
- ⊥ PERPENDICULARITY (SQUARENESS)
- // PARALLELISM
- ROUNDNESS (CIRCULARITY)
- ⊘ CYLINDRICITY
- △ PROFILE OF ANY SURFACE
- ∧ PROFILE OF ANY LINE
- ↗ RUNOUT
- ⊕ TRUE POSITION
- ◎ CONCENTRICITY
- ≡ SYMMETRY

ASME Y14.5M 1994

REGAL-BELOIT CORPORATION (RBC) PROVIDES TECHNICAL ASSISTANCE TO OUR CUSTOMERS IN SEVERAL AREAS. SINCE RBC DOES NOT RECEIVE ALL DATA CONCERNING THE USE AND APPLICATION OF THE MOTOR, THE SUITABILITY OF THE MOTOR FOR THE APPLICATION MUST BE DETERMINED BY THE CUSTOMER.

DIMENSIONS WITHOUT TOLERANCES ARE FOR REFERENCE ONLY.

DR BY: J.RUPERT 10-03-1996

APPD:

THIRD ANGLE PROJECTION

EDS DATE 11-11-2011
FORMAT REV H

CONFIDENTIAL: THIS DRAWING AND ITS INFORMATION ARE THE EXCLUSIVE AND CONFIDENTIAL PROPERTY OF REGAL-BELOIT CORPORATION AND ARE NOT TO BE DISCLOSED, DUPLICATED, DISTRIBUTED OR OTHERWISE USED WITHOUT THE WRITTEN CONSENT OF REGAL-BELOIT CORPORATION. -ALL RIGHTS RESERVED.

REGAL REGAL-BELOIT CORPORATION

DESCRIPTION: MODEL-RFHP-42FR OUTLINE

SIZE: C DWG NO: 326P149-OL

SCALE: NONE SHEET 1

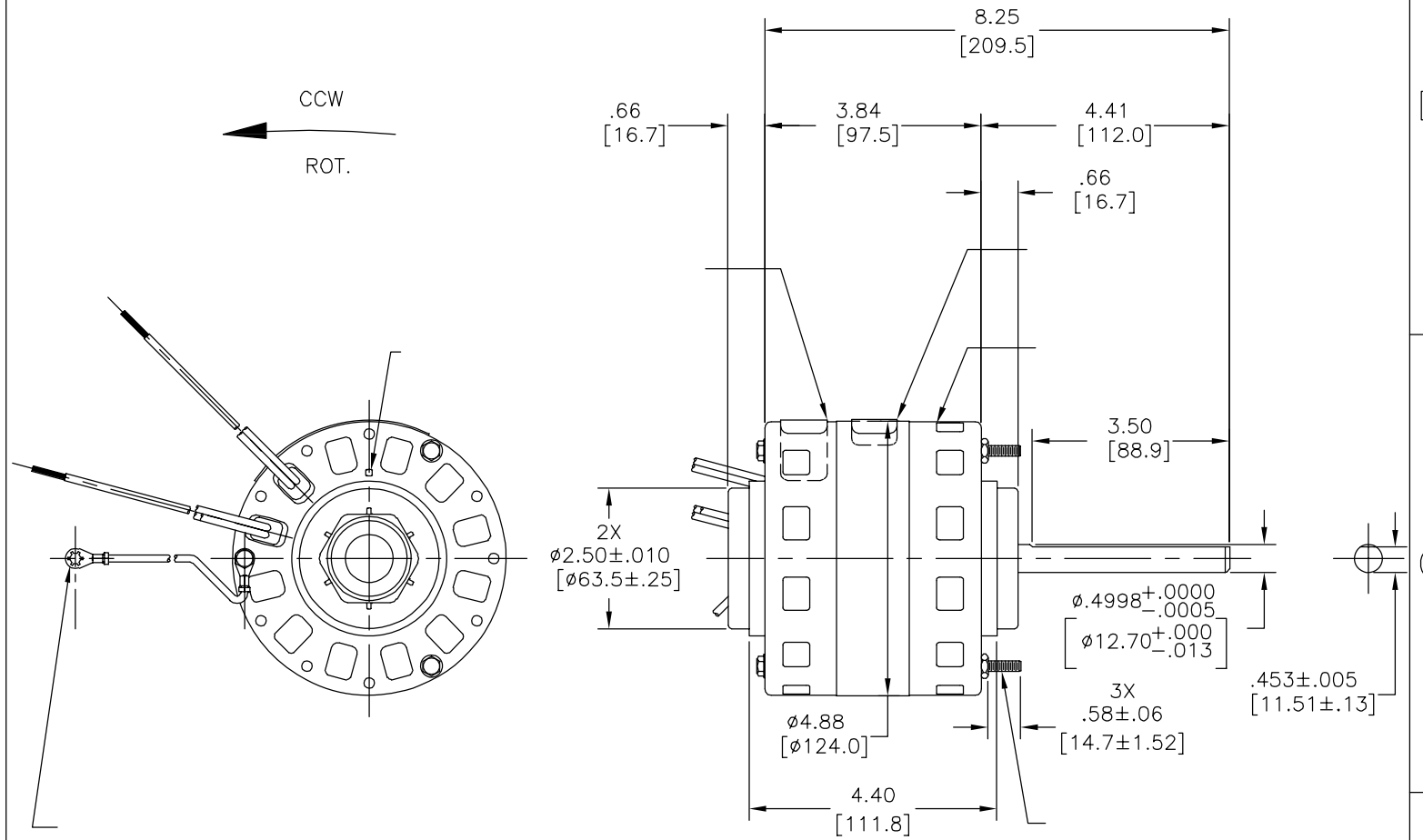
4

3

2

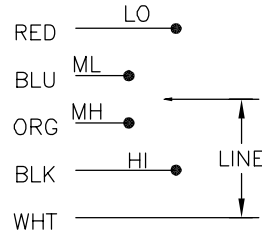
1

| | | | | | | | | | |
|-----------|---------|---------------|------------|--------|------------|---------------|----------|--------|------------|
| REVISION: | ECO | REVISADO POR: | J.AGUILERA | FECHA: | 05-28-2012 | APROBADO POR: | R.RASCON | FECHA: | 05-28-2012 |
| | 0026399 | | | | | | | | |



CCW
←
ROT.

MODEL NO.: 326P149
CUST. P/N: BL6419
HP: 1/6, 1/8, 1/10, 1/12
ROT.: CCWLE
RPM: 1050/4 SPD.
TYPE: FE
FRAME: 42Y
VOLTS: 115
PH: 1
AMPS: 5.5
HZ: 60
INS.: B
AMB.: 40° C
DUTY: AIR COVER
CAP.: -
ENCL: -
UL LOGO
CSA LOGO
THERMALLY PROTECTED
TYPE C



| | | |
|--|---------------|--|
| | 5.5/6.5 | |
| | [139.7/165.1] | |
| | 23.0/25.0 | |
| | [584/635] | |
| | 23.0/25.0 | |
| | [584/635] | |
| | 23.0/25.0 | |
| | [584/635] | |
| | 23.0/25.0 | |
| | [584/635] | |
| | 23.0/25.0 | |
| | [584/635] | |

| | | | | | | |
|--------|--------------------------|----------|--------|-------|---------|---------|
| | TORQUE @ 1050 RPM (25°C) | | | | | |
| C30178 | 114.4 OZ. FT. | PSE7725B | E46412 | PRGY2 | LR43341 | 4211-01 |

DISTRIBUTION SERVICE

CARACTERISTICAS DE GEOMETRIA Y SIMBOLOS
 □ PLANICIDAD
 - RECTITUD
 < ANGULARIDAD
 ⊥ PERPENDICULARIDAD (A ESCUADRA)
 // PARALELISMO
 ○ REDONDEZ (CIRCULARIDAD)
 ∅ CILINDRICIDAD
 △ PERFIL DE CUALQUIER SUPERFICIE
 ∇ PERFIL DE CUALQUIER LINEA
 ↑ VARIACION
 ⊕ POSICION REAL
 ⊙ CONCENTRICIDAD
 = SIMETRIA
 ASME Y14.5M 1994

REGAL-BELOIT CORPORATION (RBC) PROVEE ASISTENCIA TECNICA A NUESTROS CLIENTES EN VARIAS AREAS. DESDE QUE RBC NO RECIBE TODOS LOS DATOS EN RELACION AL USO Y A LA APLICACION DEL MOTOR, LA APLICACION ADECUADA DEL MOTOR DEBE SER DETERMINADA POR EL CLIENTE.

DIMENSIONES SIN TOLERANCIA SON DE REFERENCIA SOLAMENTE

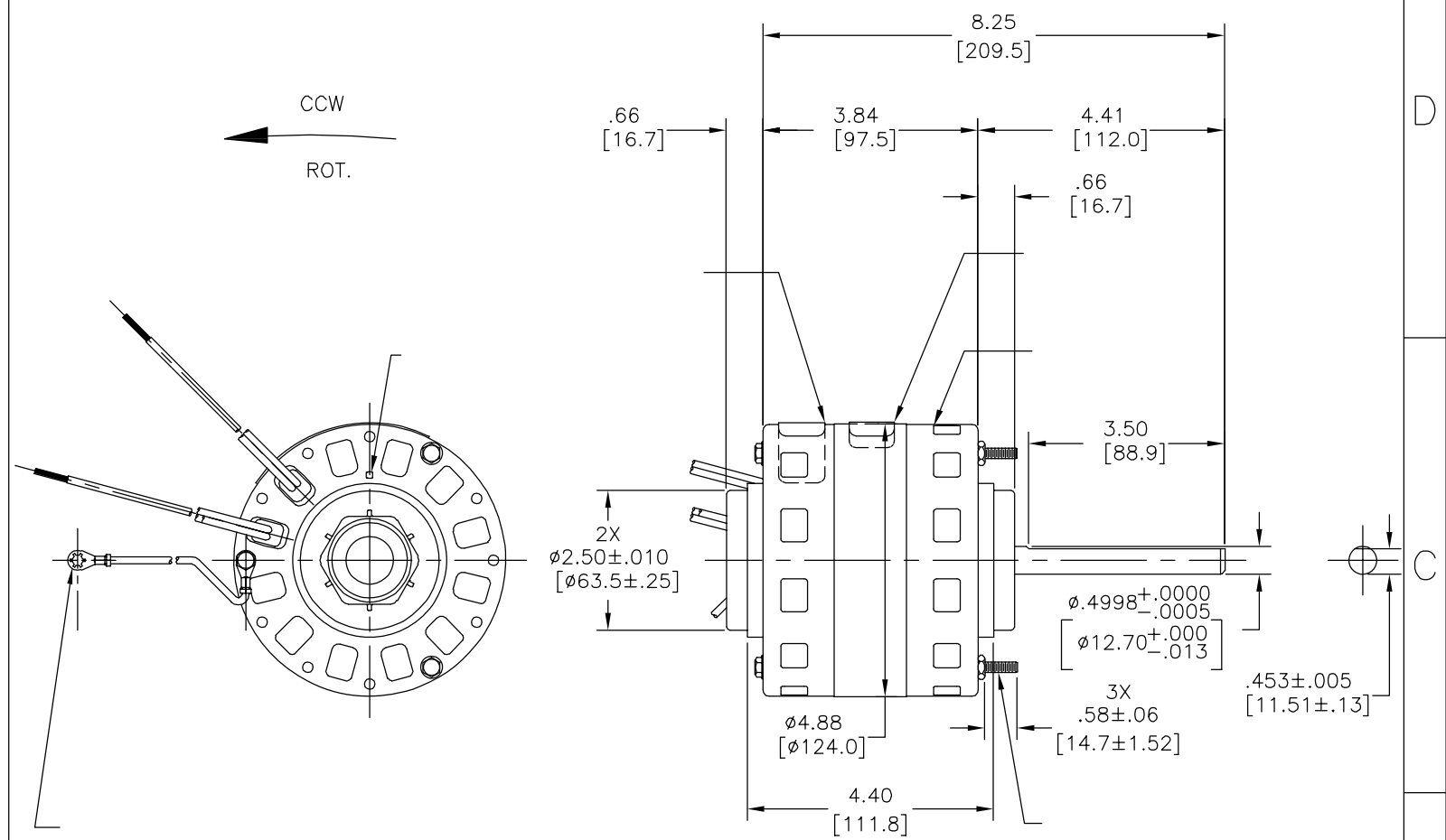
DIBUJADO POR: J.RUPERT 10-03-1996
 APROBADO POR:
 TERCER ANGULO DE PROYECCION
 FECHA EDS: 11-11-2011
 REV. FORMATO: H
 CONFIDENCIAL: ESTE DIBUJO Y SU INFORMACION SON PROPIEDAD DE USO EXCLUSIVO Y CONFIDENCIAL DE REGAL-BELOIT CORPORATION. Y NO DEBERAN SER REVELADOS, DUPLICADOS, DISTRIBUIDOS O USARSE DE OTRA MANERA SIN EL CONSENTIMIENTO ESCRITO DE REGAL-BELOIT CORPORATION. -TODOS LOS DERECHOS RESERVADOS.



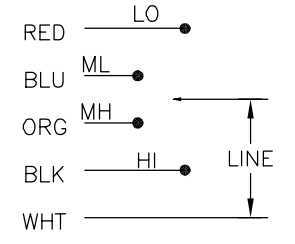
DESCRIPCION: MODEL-RFHP-42FR OUTLINE
 TAMAÑO: C NUMERO DE DIBUJO: 326P149-0L
 ESCALA: NONE HOJA: 1

4 3 2 1

| | | | | | |
|----|---------|------------|------------|----------|------------|
| 版本 | ECO | 编制 | 日期 | 批准 | 日期 |
| . | 0026399 | J.AGUILERA | 05-28-2012 | R.RASCON | 05-28-2012 |



MODEL NO.: 326P149
CUST. P/N: BL6419
HP: 1/6, 1/8, 1/10, 1/12
ROT.: CCWLE
RPM: 1050/4 SPD.
TYPE: FE
FRAME: 42Y
VOLTS: 115
PH: 1
AMPS: 5.5
HZ: 60
INS.: B
AMB.: 40° C
DUTY: AIR COVER
CAP.: -
ENCL: -
UL LOGO
CSA LOGO
THERMALLY PROTECTED
TYPE C



| | | |
|--|--------------------------|--|
| | 5.5/6.5 [139.7/165.1] | |
| | 23.0/25.0 [584/635] | |
| | 23.0/25.0 [584/635] | |
| | 23.0/25.0 [584/635] | |
| | 23.0/25.0 [584/635] | |
| | 23.0/25.0 [584/635] | |
| | 23.0/25.0 [584/635] | |

| | | | | | | |
|--------|--------------------------|----------|--------|-------|---------|---------|
| | TORQUE @ 1050 RPM (25°C) | | | | | |
| C30178 | 114.4 OZ. FT. | PSE7725B | E46412 | PRGY2 | LR43341 | 4211-01 |

| | | |
|--|--|--|
| | | |
| | | |
| | | |

DISTRIBUTION SERVICE

- 形位公差
- 平面度
- 直线度
- ∠ 倾斜度
- ⊥ 垂直度
- // 平行度
- 圆度
- ⊘ 圆柱度
- ⊖ 面轮廓度
- △ 线轮廓度
- ↗ 圆跳动
- ⊕ 位置度
- ⊙ 同轴度
- ≡ 对称度

ASME Y14.5M 1994

REGAL-BELOIT CORPORATION (RBC) 在个别领域为客户提供技术支持。鉴于RBC未收到任何涉及电机使用和应用环境的数据，电机的适用性由客户自己决定。

未注公差尺寸仅供参考。

绘图: J.RUPERT 10-03-1996
批准:
第三角投影
机密: 本图纸及相关信息所有权归REGAL-BELOIT CORPORATION。未经REGAL-BELOIT CORPORATION书面授权, 不得泄露、复制或传播或作其他用途。一版权所有



名称: MODEL-RFHP-42FR OUTLINE
图幅: C 图号: 326P149-0L
比例: NONE 页号: 1

4 3 2 1