

GENERAL INFORMATION:

SHAFT RUNOUT: .001[.03] T.I.R. PER INCH LENGTH OF EXTENSION

END PLAY: .010[.25] TO .063[1.60]

BEARINGS: SLEEVE

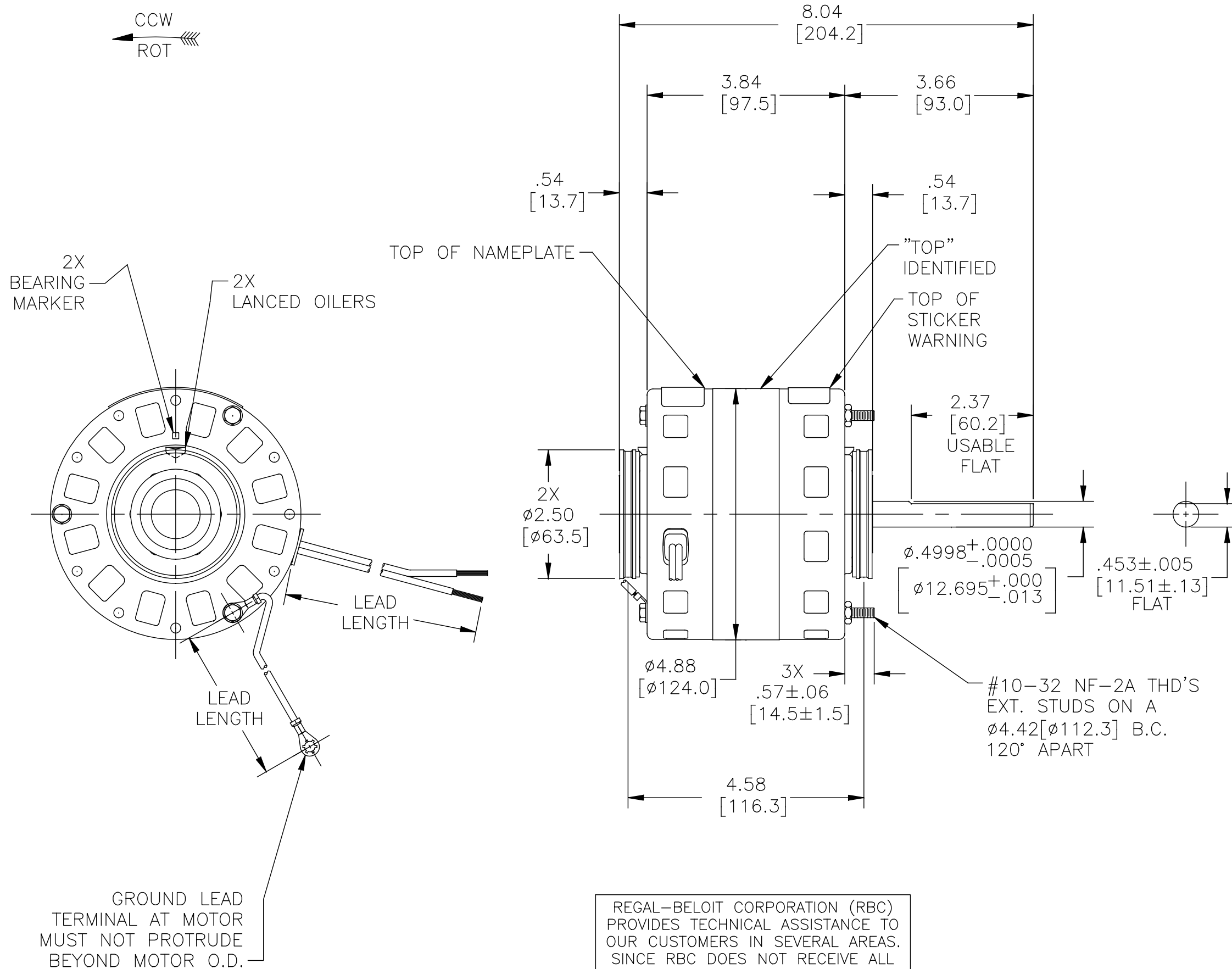
MOUNTING POSITION: HORIZONTAL

ELECTRICAL DATA:

OVERLOAD PROTECTOR: AUTOMATIC RESET (T.I. 7AM 304)

LEADS: NO. 18 GA., .06[1.5] THK., 125°C INSULATION

GROUND LEAD: NO. 18 GA., .03[.8] THK., GREEN INSULATION



NAMEPLATE DATA:	EXTERNAL CONNECTION DIAGRAM
MODEL NO.: 326P208 CUST. P/N: BL6412 HP: 1/6 ROT.: CCWLE RPM: 1050 TYPE: FE FRAME: 42Y VOLTS: 115 PH: 1 AMPS: 5.5 HZ: 60 INS.: B AMB.: 40° C DUTY: AIR COVER CAP.: - ENCL.: - UL LOGO CSA LOGO THERMALLY PROTECTED TYPE C	

COLOR	LENGTH	TERMINAL OR STRIP LENGTH
GREEN (GRD)	7.0/9.0 [178/229]	#10 EYELET
2 CONDUIT RIPCORD	18.0/20.0 [457/508]	.60[15.2] SKIN

LEAD DATA

REGAL-BELOIT CORPORATION (RBC) PROVIDES TECHNICAL ASSISTANCE TO OUR CUSTOMERS IN SEVERAL AREAS. SINCE RBC DOES NOT RECEIVE ALL DATA CONCERNING THE USE AND APPLICATION OF THE MOTOR, THE SUITABILITY OF THE MOTOR FOR THE APPLICATION MUST BE DETERMINED BY THE CUSTOMER.

DIMENSIONS WITHOUT TOLERANCES ARE FOR REFERENCE ONLY.

MAIN FRAME - OLE	OPEN
END FRAME - OLE	OPEN
MAIN FRAME - LE	OPEN
END FRAME - LE	OPEN

ENCLOSURE

CUSTOMER	DISTRIBUTION SERVICE
----------	----------------------

PERFORMANCE CURVE NO.	TORQUE @ 1050 RPM (25°C)	APPROVED SAMPLE	UL COMPONENT		CSA	
			FILE #	CCN #	FILE #	CLASS #
C30520	15.4 OZ. FT.	A7010A	E46412	PRGY2	LR43341	4211-01

DRAWING REVISION	REVISION BY	DATE
G	J.CHAI	07-01-2016
ECO	APPROVED BY C.ZHANG	DATE 07-01-2016

COPYRIGHT REGAL-BELOIT AMERICA, INC. ALL RIGHTS RESERVED. PROPRIETARY AND CONFIDENTIAL INFORMATION - THIS DOCUMENT IS THE PROPERTY OF REGAL-BELOIT AMERICA, INC. (OWNER) AND CONTAINS OWNER'S PROPRIETARY INFORMATION. ANY PERSON, CORPORATION OR OTHER FIRM RECEIVING IT IS DEEMED, BY RECEIVING IT, TO AGREE THAT IT, AND/OR ANY PART OF IT, SHALL NOT BE DISCLOSED TO ANY PERSON, CORPORATION OR OTHER ENTITY, DUPLICATED, AND/OR USED, EXCEPT AS EXPRESSLY APPROVED IN WRITING IN ADVANCE BY OWNER. THIS DOCUMENT SHALL BE RETURNED TO OWNER UPON REQUEST. IT MAY BE SUBJECT TO CERTAIN RESTRICTIONS UNDER APPLICABLE EXPORT CONTROL LAWS AND REGULATIONS.

DRAWN BY: MCNAMEE	Regal Beloit America, Inc.
DATE: 08-23-1990	
APPROVED BY: T.RILEY	
DATE: 11-06-1995	
REFERENCE	DESCRIPTION: MODEL-RFHP-48FR OUTLINE
THIRD ANGLE PROJECTION	MATERIAL: - PROCESS/FINISH: -
SIZE DWG NO: C	11674-002

DESCRIPTION	MODEL-RFHP-48FR OUTLINE
MATERIAL	-
PROCESS/FINISH	-
SIZE DWG NO	11674-002
SHEET	1