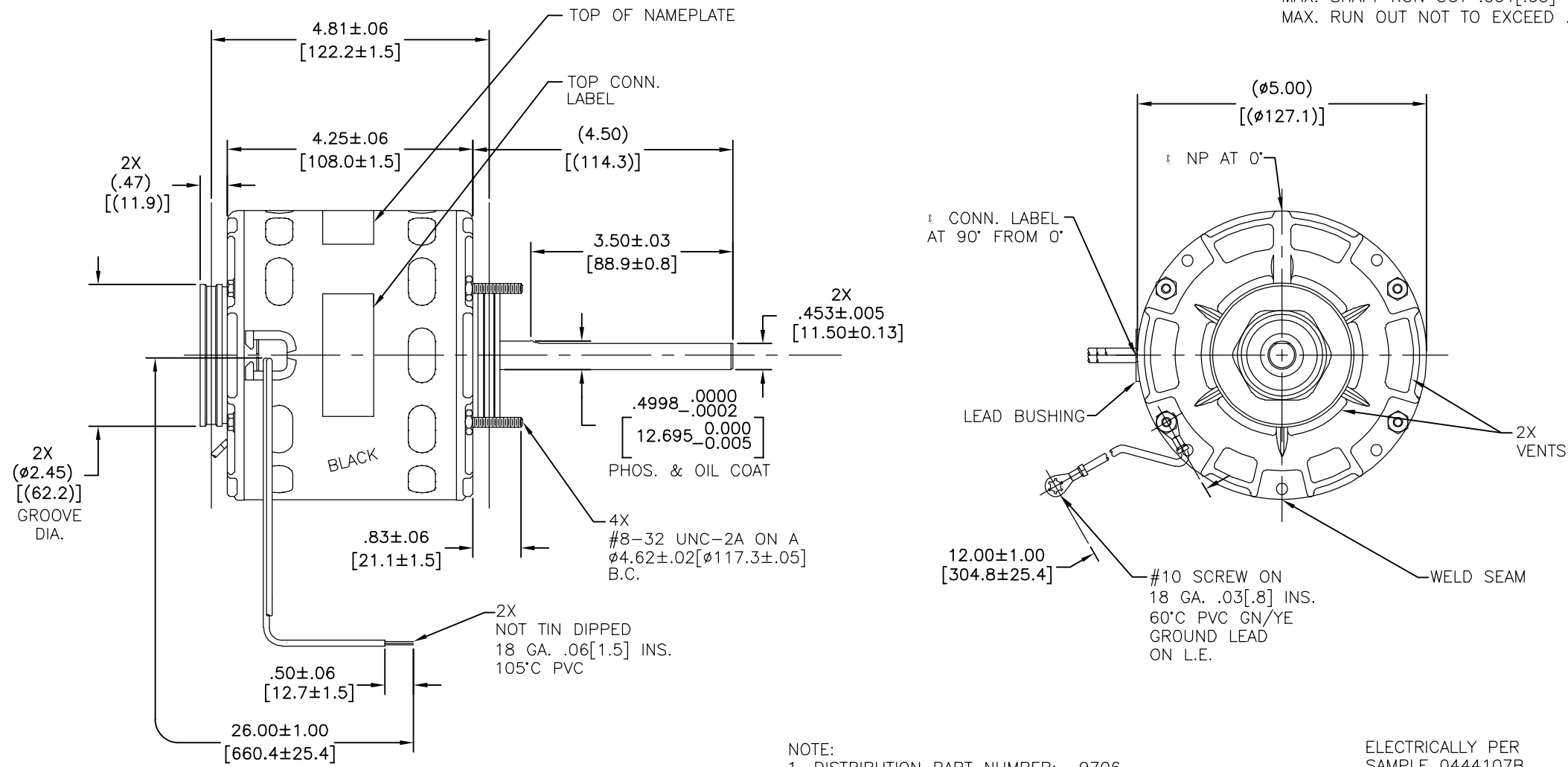


CUSTOMER IS SOLELY RESPONSIBLE FOR MOTOR PERFORMANCE AND SUITABILITY IN APPLICATIONS FOR CUSTOMER'S USES.

END PLAY .005[.13] MIN - .040[1.02] MAX
 MAX. SHAFT RUN OUT .001[.03] PER INCH
 MAX. RUN OUT NOT TO EXCEED .010[.25]



NOTE:
 1. DISTRIBUTION PART NUMBER: 9706
 GRAINGER PART NUMBER: 4VU34

ELECTRICALLY PER
 SAMPLE 0444107B
 CURVE #32429

SCHMATIC-266

ROT.: - CCWLE

NAMEPLATE DATA:



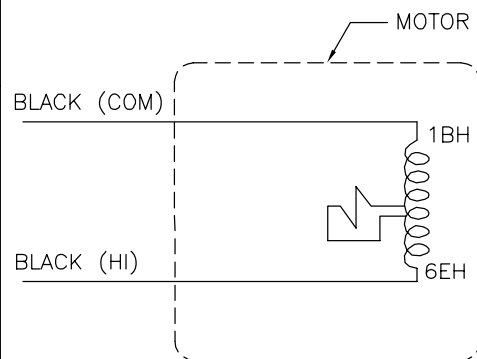
Tipp City, OH
 THERMALLY PROTECTED



SER. DATE & PO# PLT LTR MOD DA3G7208N"
 VOLTS 115 HZ 60 AMPS 5.2
 RPM 1050 SP 1 PH 1 CAP
 INS CLB AMB 40°C HP 1/8 CONT. A.O. ← ROTATION →
 BRG SLV ASSEMBLED IN MEXICO

CONNECTION LABEL

2519596-001



DRAWING REVISION E	REVISION BY R.ZHOU	DATE 01-28-2015	TOLERANCES UNLESS OTHERWISE SPECIFIED	DRAWN BY:
ECO ECO-0070367	APPROVED BY C.ZHANG	DATE 01-28-2015	DEC. INCH mm ANGLE X ±0.1 [±2.5] ±0.5° .XX ±0.02 [±0.51] .XXX ±0.005 [±0.127] .XXXX ±0.0005 [±0.0127]	DATE:
SEE ECO	SEE ECO		REMOVE BURRS & BREAK SHARP EDGES .003/.015 [0.076/.381] CORNER FILLETS .02 [1.51] MACHINED SURFACES .125/ mm 3/2 mm SHOWN IN [BRACKETS]	APPROVED BY:
<small>COPYRIGHT REGAL BELOIT AMERICA, INC. ALL RIGHTS RESERVED. PROPRIETARY AND CONFIDENTIAL INFORMATION - THIS DOCUMENT IS THE PROPERTY OF REGAL BELOIT AMERICA, INC. (OWNER) AND CONTAINS OWNER'S PROPRIETARY INFORMATION. ANY PERSON, CORPORATION OR OTHER FIRM RECEIVING IT IS DEEMED, BY RECEIVING IT, TO AGREE THAT IT, AND/OR ANY PART OF IT, SHALL NOT BE DISCLOSED TO ANY PERSON, CORPORATION OR OTHER ENTITY, DUPLICATED, AND/OR USED, EXCEPT AS EXPRESSLY APPROVED IN WRITING IN ADVANCE BY OWNER. THIS DOCUMENT SHALL BE RETURNED TO OWNER UPON REQUEST. IT MAY BE SUBJECT TO CERTAIN RESTRICTIONS UNDER APPLICABLE EXPORT CONTROL LAWS AND REGULATIONS.</small>			THIRD ANGLE PROJECTION	DESCRIPTION MODEL-RFHP-42FR OUTLINE
			SIZE DWG NO C DA3G7208	PROCESS/FINISH
			SHEET 1	

REGAL Regal Beloit America, Inc.

MODEL-RFHP-42FR
 OUTLINE

SIZE DWG NO
 C DA3G7208

SHEET
 1