

GENERAL INFORMATION:

SHAFT RUNOUT: .001[.03] T.I.R. PER INCH LENGTH OF EXTENSION.

END PLAY: .010[.25] TO .063[1.60]

BEARINGS: SLEEVE

MOUNTING POSITION: HORIZONTAL

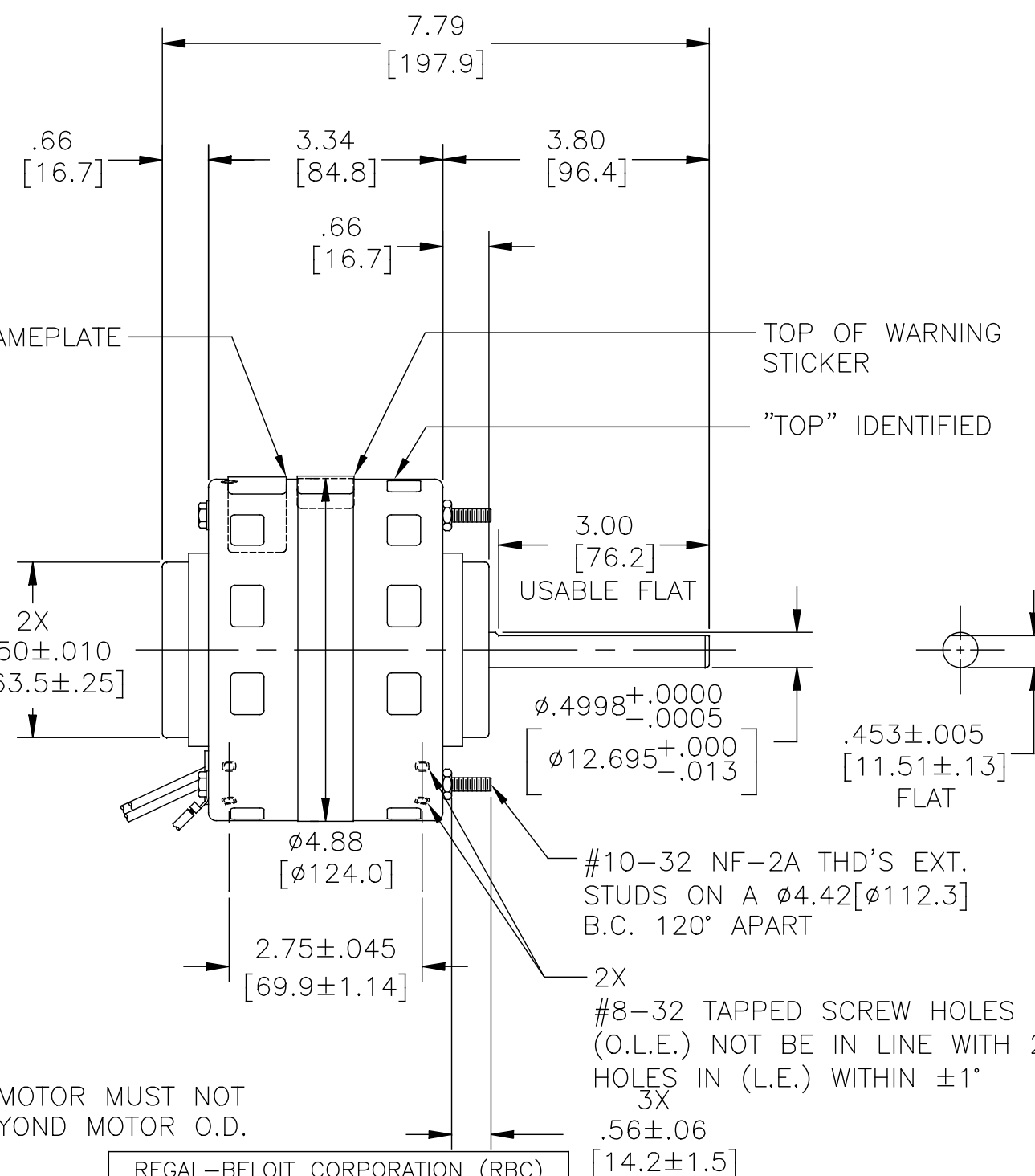
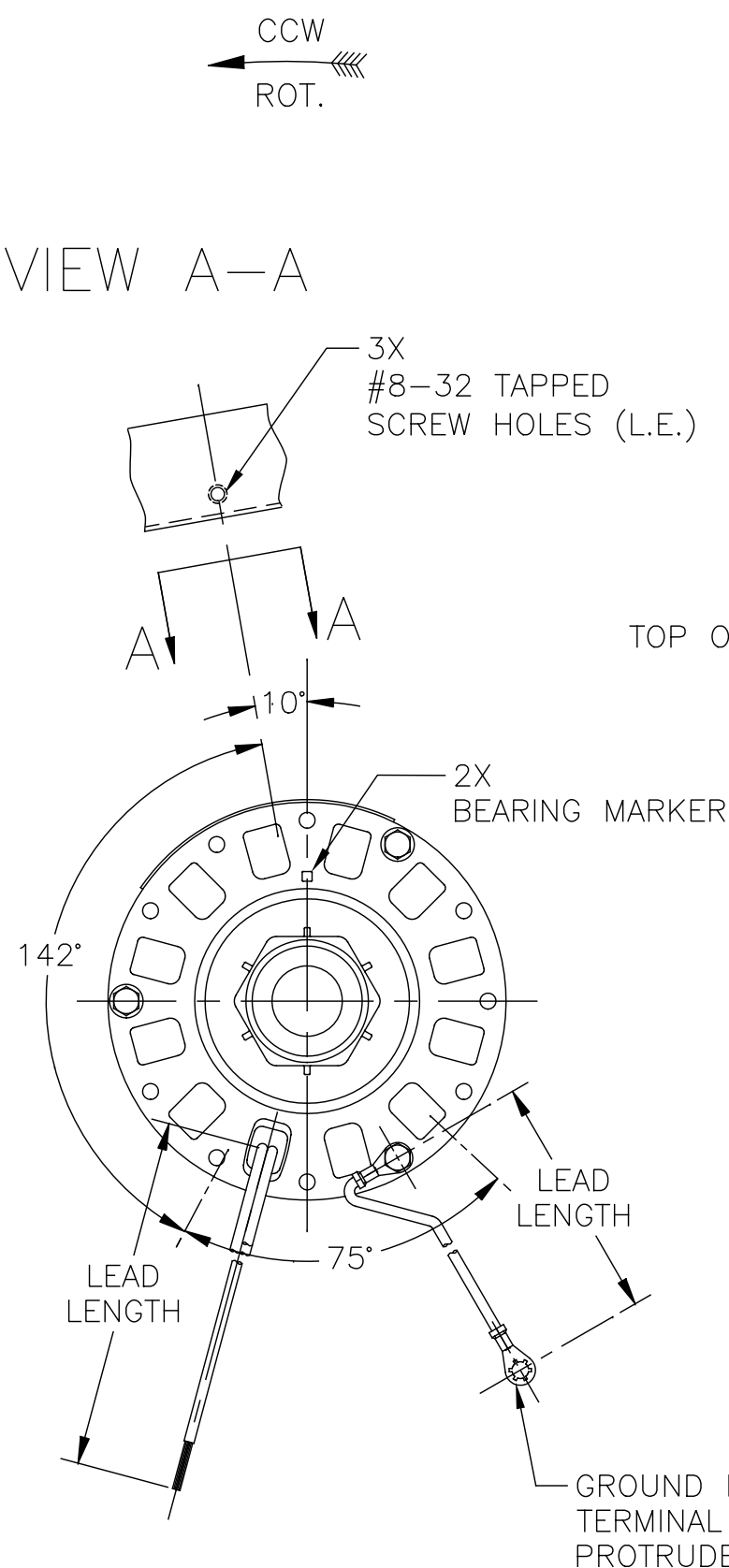
ELECTRICAL DATA:

OVERLOAD PROTECTOR: AUTOMATIC RESET (T.I. 7AM 304)

LEADS: NO.18 GA. .06[1.5] THICK, 125°C INSUL.

GROUND LEAD: NO.18 GA. .03[.8] THICK, GREEN INSUL.

VIEW A-A



REGAL-BELOIT CORPORATION (RBC) PROVIDES TECHNICAL ASSISTANCE TO OUR CUSTOMERS IN SEVERAL AREAS. SINCE RBC DOES NOT RECEIVE ALL DATA CONCERNING THE USE AND APPLICATION OF THE MOTOR, THE SUITABILITY OF THE MOTOR FOR THE APPLICATION MUST BE DETERMINED BY THE CUSTOMER.

DIMENSIONS WITHOUT TOLERANCES ARE FOR REFERENCE ONLY.

MAIN FRAME - OLE	OPEN
END FRAME - OLE	OPEN
MAIN FRAME - LE	OPEN
END FRAME - LE	OPEN

CUSTOMER	DISTRIBUTION SERVICE
----------	----------------------

NAMEPLATE DATA:	EXTERNAL CONNECTION DIAGRAM
MODEL NO.: 326P153 CUST. P/N: BL6423 HP: 1/8 , 1/11 ROT.: CCWLE RPM: 1050/2 SPD. TYPE: FE FRAME: 42Y VOLTS: 115 PH: 1 AMPS: 5.0 HZ: 60 INS.: B AMB.: 40° C DUTY: AIR COVER CAP.: - ENCL: - UL LOGO CSA LOGO THERMALLY PROTECTED TYPE C	

COLOR	LENGTH	TERMINAL OR STRIP LENGTH
GREEN (GRD)	.779 [19.79]	#10 EYELET
RED	27.0/29.0 [686/737]	.50[12.7] SKIN
BLACK	27.0/29.0 [686/737]	.50[12.7] SKIN
WHITE	27.0/29.0 [686/737]	.50[12.7] SKIN

PERFORMANCE CURVE NO.	TORQUE @1050 RPM (25°C)	APPROVED SAMPLE	UL COMPONENT		CSA	
			FILE #	CCN #	FILE #	CLASS #
C30181	8.6 OZ. FT.	PSE7730B	E46412	PRGY2	LR43341	4211-01

DRAWING REVISION J	REVISION BY J.CHAI	DATE 07-01-2016
ECO ECO-0105193	APPROVED BY C.ZHANG	DATE 07-01-2016
ECO DESCRIPTION SEE ECO		

COPYRIGHT REGAL BELOIT AMERICA, INC. ALL RIGHTS RESERVED. PROPRIETARY AND CONFIDENTIAL INFORMATION - THIS DOCUMENT IS THE PROPERTY OF REGAL BELOIT AMERICA, INC. (OWNER) AND CONTAINS OWNER'S PROPRIETARY INFORMATION. ANY PERSON, CORPORATION OR OTHER FIRM RECEIVING IT IS DEEMED, BY RECEIVING IT, TO AGREE THAT IT, AND/OR ANY PART OF IT, SHALL NOT BE DISCLOSED TO ANY PERSON, CORPORATION OR OTHER ENTITY, DUPLICATED, AND/OR USED, EXCEPT AS EXPRESSLY APPROVED IN WRITING IN ADVANCE BY OWNER. THIS DOCUMENT SHALL BE RETURNED TO OWNER UPON REQUEST. IT MAY BE SUBJECT TO CERTAIN RESTRICTIONS UNDER APPLICABLE EXPORT CONTROL LAWS AND REGULATIONS.

DRAWN BY: BRADEN	DATE: 01-19-1988
APPROVED BY: T.RILEY	DATE: 11-06-1995
REFERENCE	
THIRD ANGLE PROJECTION	

Regal Beloit America, Inc.	
DESCRIPTION MODEL-RFHP-48FR OUTLINE	
MATERIAL	PROCESS/FINISH
SIZE DWG NO C 326P153	SHEET 1