

| REV | ECO     | REV BY | DATE       | APPD   | DATE       |
|-----|---------|--------|------------|--------|------------|
| E   | 0026394 | H.ZHOU | 05-29-2012 | B.SHEN | 05-29-2012 |

GENERAL INFORMATION:

SHAFT RUNOUT: .001 [.03] T.I.R. PER INCH LENGTH OF EXTENSION

END PLAY: .010 TO .063 [.25 TO 1.60]

BEARINGS: SLEEVE

MOUNTING POSITION: HORIZONTAL

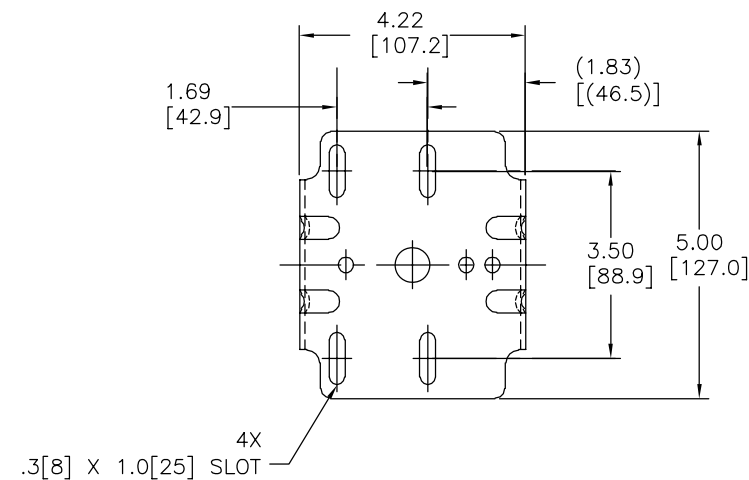
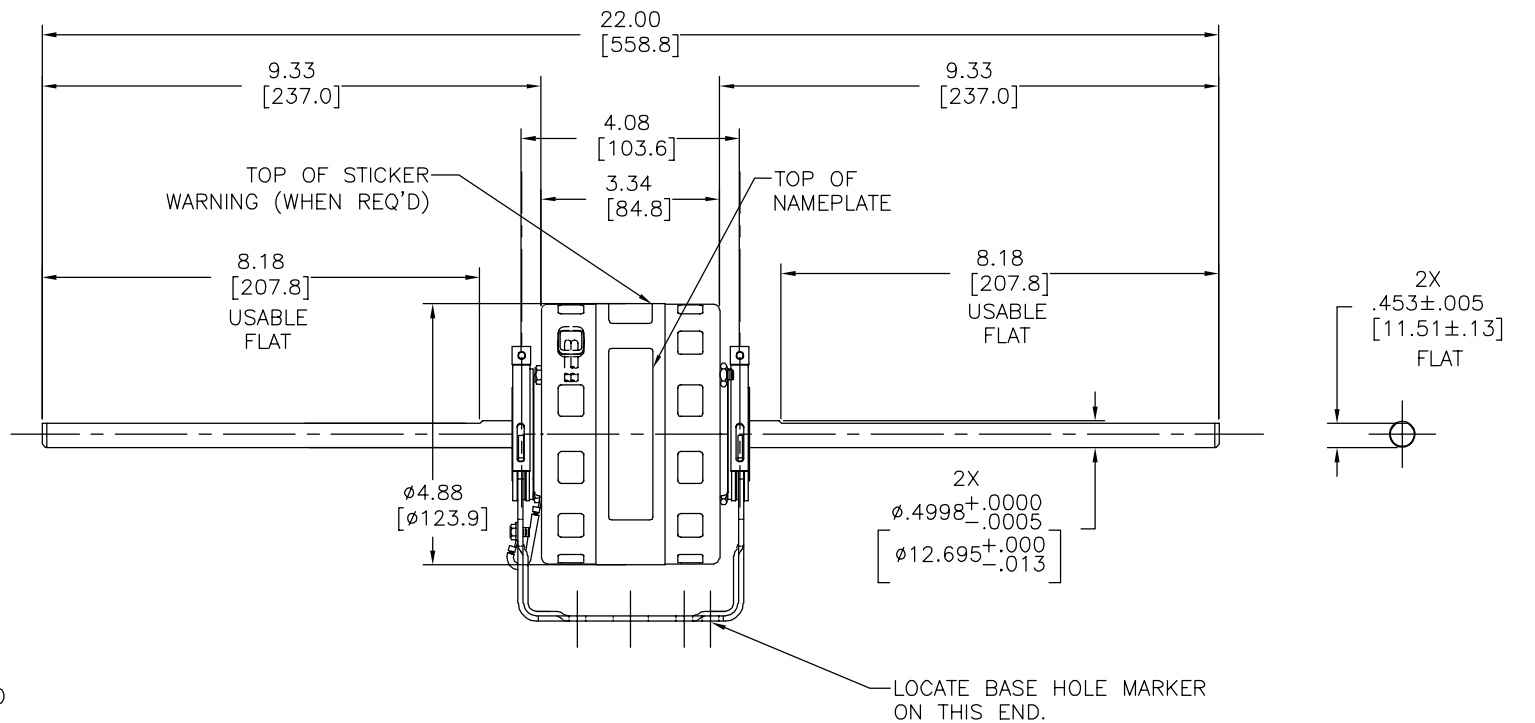
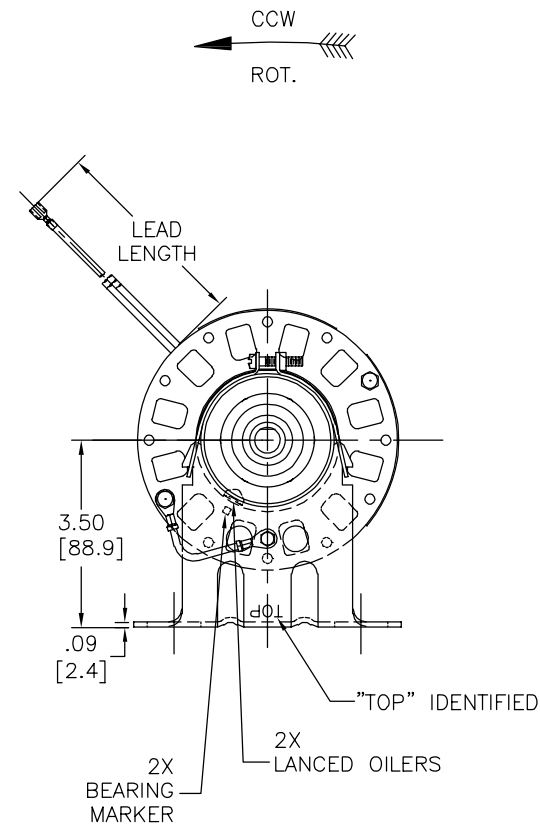
ELECTRICAL DATA:

OVERLOAD PROTECTOR: AUTOMATIC RESET (T.I. 7AM 034)

LEADS: NO. 18 GA., .03 [.8] THK. 125°C INSUL.

GROUND LEAD: NO. 18 GA., .03 [.8] THK. GREEN INSUL.

NOTE:  
1. DISTRIBUTION PART NUMBER: DB6407  
GRAINGER PART NUMBER: 3M747



SEE NOTE 1

| NAMEPLATE DATA:  | EXTERNAL CONNECTION DIAGRAM |
|--|-----------------------------|
| MODEL NO.: 322P073<br>CUST. P/N:<br>HP: 1/10, 1/15, 1/20, 1/25<br>ROT.: CCWLE<br>RPM: 1050<br>TYPE: FE<br>FRAME: 42Y<br>VOLTS: 208-230<br>PH: 1<br>AMPS: 1.6, 0.9, 0.8, 0.7<br>HZ: 60<br>INS.: A<br>AMB.: 40 °C<br>DUTY: AIR OVER<br>CAP.:<br>UL & CSA LOGO<br>THERMALLY PROTECTED<br>TYPE C |                             |

| COLOR  | LENGTH               | TERMINAL OR STRIP LENGTH |
|--------|----------------------|--------------------------|
| RED    | CONNECTED TO BASE    | #8 EYELET                |
| BLUE   | 38.5/41.5 [978/1054] | .25[6.4] FEMALE SPADE    |
| YELLOW | 38.5/41.5 [978/1054] | .25[6.4] FEMALE SPADE    |
| BLACK  | 38.5/41.5 [978/1054] | .25[6.4] FEMALE SPADE    |
| PURPLE | 38.5/41.5 [978/1054] | .25[6.4] FEMALE SPADE    |

| ENCLOSURE        |      |
|------------------|------|
| MAIN FRAME - OLE | OPEN |
| END FRAME - OLE  | OPEN |
| MAIN FRAME - LE  | OPEN |
| END FRAME - LE   | OPEN |

| PERFORMANCE CURVE NO. | TORQUE @ 1050 RPM (50°C) | APPROVED SAMPLE | UL COMPONENT FILE # | GUIDE# | CSA FILE # | GUIDE # |
|-----------------------|--------------------------|-----------------|---------------------|--------|------------|---------|
| 668467                | 5.0 OZ. FT.              | PSA 7011        | E46412              | PRGY2  | LR43341    | 260-φ-0 |

GEOMETRIC CHARACTERISTICS & SYMBOLS  
 □ FLATNESS  
 — STRAIGHTNESS  
 ∠ ANGULARITY  
 ⊥ PERPENDICULARITY (SQUARENESS)  
 ∥ PARALLELISM  
 ○ ROUNDNESS (CIRCULARITY)  
 ⌀ CYLINDRICITY  
 ≡ PROFILE OF ANY SURFACE  
 ⤴ PROFILE OF ANY LINE  
 ⤵ RUNOUT  
 ⊕ TRUE POSITION  
 ⊙ CONCENTRICITY  
 = SYMMETRY

UNLESS OTHERWISE SPECIFIED DIM. TOLERANCES ARE AS FOLLOWS:  
 INCH ±.01 ±.02 ±.005 ±.0005  
 mm ±0.5 ±0.13 ±0.013  
 ANG. ±.50 DEG  
 REMOVE BURRS & BREAK SHARP EDGES:  
 INCH .003-.015 mm 0.1-0.4  
 CORNER FILLETS TO:  
 INCH .020 mm 0.5  
 MACHINE SURFACES:  
 INCH 125 mm 3.2

DR BY: J. RUPERT 02-26-1996  
 APPD: W. HEAL 03-01-1996  
 THRD ANGLE PROJECTION  
 EDS DATE 11-11-2011  
 FORMAT REV H

CUSTOMER DISTRIBUTION SERVICES

**REGAL** REGAL-BELOIT CORPORATION

DESCRIPTION: OUTLINE

SIZE: D DWG NO: 11927-027

SCALE: NONE SHEET: 1

|               |                      |                   |                      |                   |
|---------------|----------------------|-------------------|----------------------|-------------------|
| REVISION: ECO | REVISADO POR: H.ZHOU | FECHA: 05-29-2012 | APROBADO POR: B.SHEN | FECHA: 05-29-2012 |
| E             | 0026394              |                   |                      |                   |

**INFORMACION GENERAL:**

OSCILACION DE FLECHA: .001 [.03] L.T.I. POR LONGITUD DE EXTENSION

JUEGO AXIAL: .010 A .063 [.25 A 1.60]

BALEROS: MANGA

POSICION DEL MONTAJE: HORIZONTAL

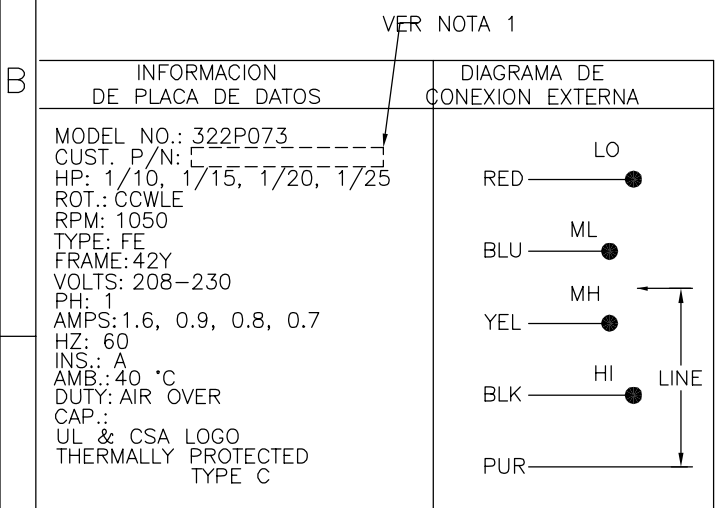
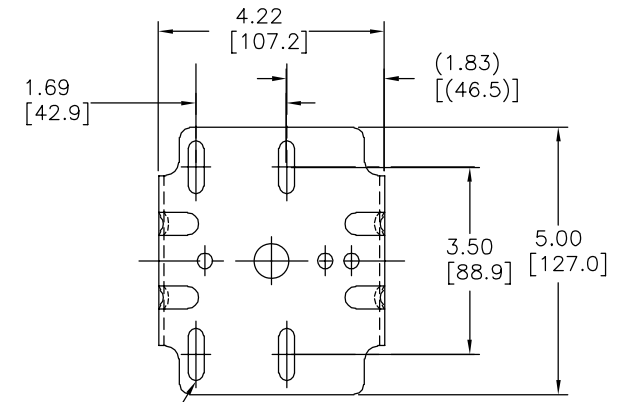
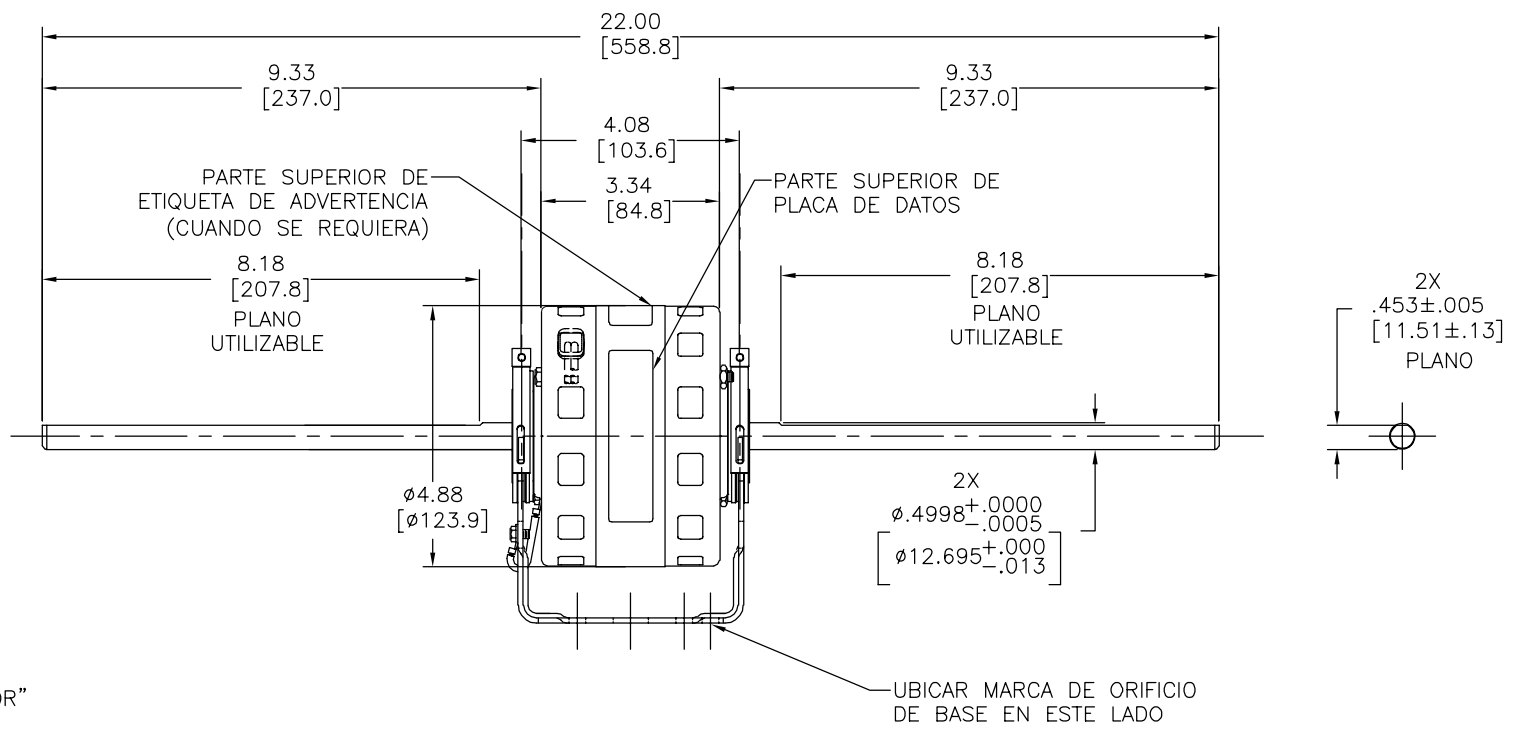
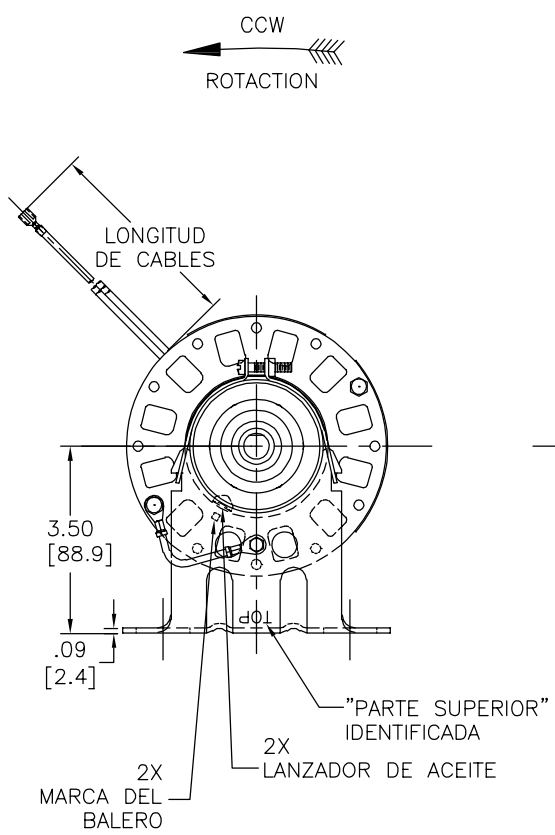
**INFORMACION ELECTRICA:**

SOBRECARGA DEL PROTECTOR: REINICIO AUTOMATICO (T.I. 7AM 034)

CABLES: CALIBRE 18 AISLANTE .03[.8] GROSOR 125°C.

CABLE DE TIERRA: CALIBRE 18 AISLANTE .03[.8] GROSOR VERDE.

NOTA:  
1. NUMERO DE PARTE DE DISTRIBUCION: DB6407  
NUMERO DE PARTE GRAINGER: 3M747



| ROJO     | CONECTADO A LA BASE  | OJAL #8                         |
|----------|----------------------|---------------------------------|
| AZUL     | 38.5/41.5 [978/1054] | .25[6.4] TERMINAL HEMBRA        |
| AMARILLO | 38.5/41.5 [978/1054] | .25[6.4] TERMINAL HEMBRA        |
| NEGRO    | 38.5/41.5 [978/1054] | .25[6.4] TERMINAL HEMBRA        |
| MORADO   | 38.5/41.5 [978/1054] | .25[6.4] TERMINAL HEMBRA        |
| COLOR    | LONGITUD             | TERMINAL O LONGITUD DE DESFORRE |

INFORMACION DE CABLES

|                  |         |
|------------------|---------|
| CARCAZA - OLE    | ABIERTO |
| TAPA FINAL - OLE | ABIERTO |
| CARCAZA - LE     | ABIERTO |
| TAPA FINAL - LE  | ABIERTO |

TIPO DE MOTOR

| CURVA DE DESEMPEÑO | TORSION @1050 RPM (50°C) | MUESTRA APROBADA | COMPONENTE UL  | CSA              |
|--------------------|--------------------------|------------------|----------------|------------------|
| 668467             | 5.0 OZ. FT.              | PSA 7011         | #ARCHIVO PRGY2 | #ARCHIVO LR43341 |
|                    |                          |                  |                | 260-Ø-0          |

CARACTERISTICAS DE GEOMETRIA Y SIMBOLOS:  
 □ PLANICIDAD  
 — RECTITUD  
 ∠ ANGULARIDAD  
 ⊥ PERPENDICULARIDAD (A ESCUADRA)  
 // PARALELISMO  
 ○ REDONDEZ (CIRCULARIDAD)  
 R CILINDRICIDAD  
 ≡ PERFIL DE CUALQUIER SUPERFICIE  
 ∩ PERFIL DE CUALQUIER LINEA  
 ∇ VARIACION  
 ⊙ POSICION REAL  
 ⊕ CONCENTRICIDAD  
 = SIMETRIA

ASME Y14.5M 1994

A MENOS QUE SE ESPECIFIQUE DE OTRA MANERA, LAS TOLERANCIAS DE LAS DIMS, SON LAS SIGUIENTES:  
 X XX XXX XXXX  
 PULG ±.1 ±.02 ±.005 ±.0005  
 mm ±0.5 ±0.13 ±0.013

ANG ±50 GRADOS  
 ELIMINAR REBABAS Y ORILLAS FILOSAS DEL BORDE.  
 PULG .003-.015 mm 0.1-0.4  
 FILETEAR ESQUINA: PULG .020 mm 0.5  
 MAQUINAR SUPERFICIES  
 PULG 125 mm 3.2

DIMS METRICAS MOSTRADAS [PARENTESIS]

DIBUJADO POR: J. RUPERT  
 APROBADO POR: W. HEAL  
 TERCER ANGULO DE PROYECCION

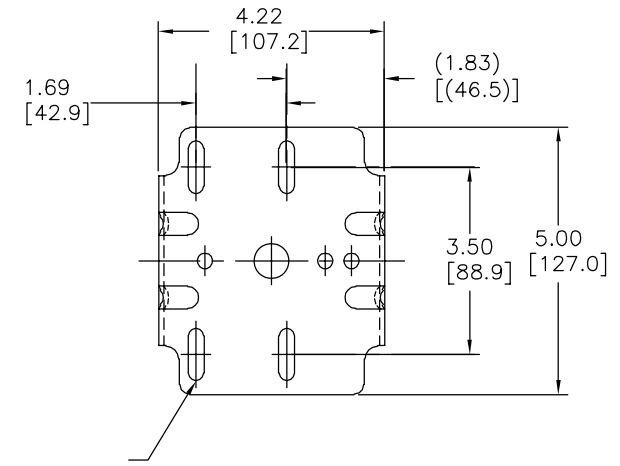
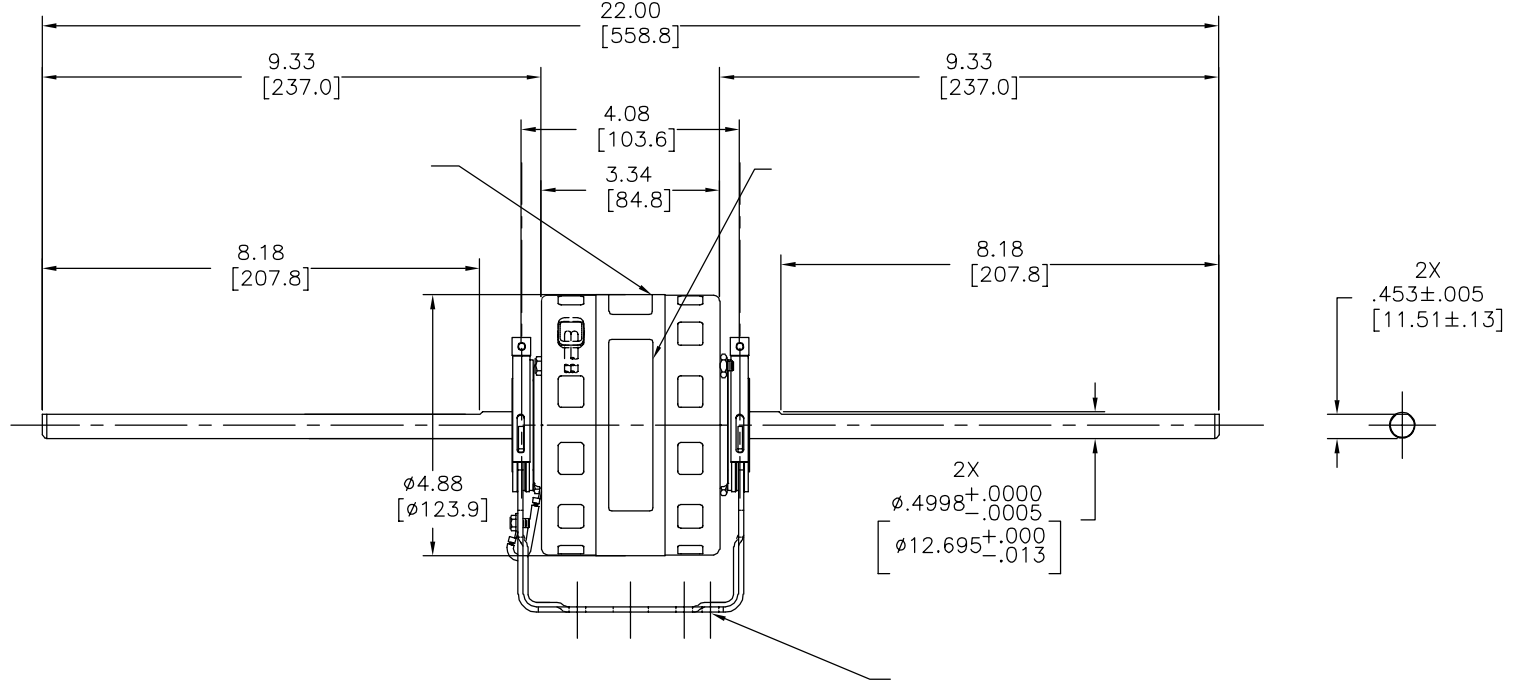
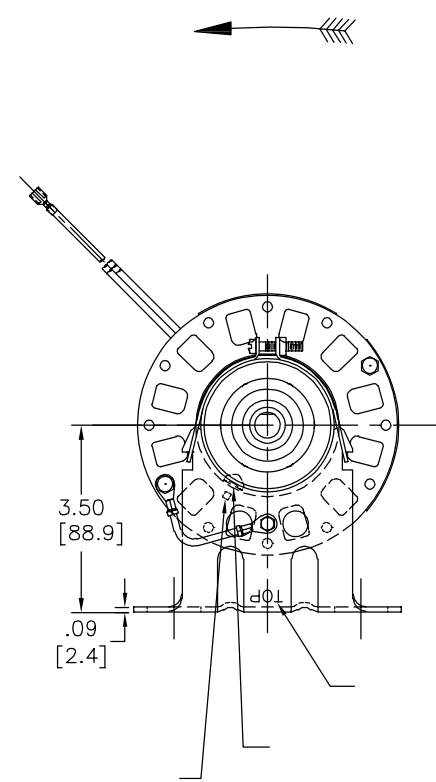
02-26-1996  
 03-01-1996  
 FECHA EDS: 11-11-2011  
 REV. FORMATO: H

CONFIDENCIAL: ESTE DIBUJO Y SU INFORMACION SON PROPIEDAD DE USO EXCLUSIVO Y CONFIDENCIAL DE REGAL-BELOIT CORPORATION, Y NO DEBERAN SER REVELADOS, DUPLICADOS, DISTRIBUIDOS O USARSE DE OTRA MANERA SIN EL CONSENTIMIENTO ESCRITO DE REGAL-BELOIT CORPORATION. -TODOS LOS DERECHOS RESERVADOS.

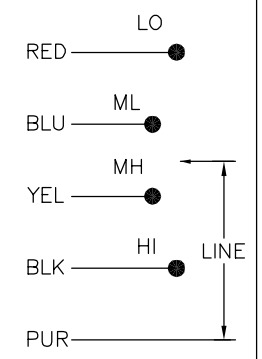
REGAL BELOIT CORPORATION  
 DESCRIPCION: OUTLINE  
 TAMAÑO: D NUMERO DE DIBUJO: 11927-027  
 ESCALA: NONE HOJA: 1

CLIENTE DISTRIBUTION SERVICES

|    |         |        |            |        |            |
|----|---------|--------|------------|--------|------------|
| 版本 | ECO     | 编制     | 日期         | 批准     | 日期         |
| E  | 0026394 | H.ZHOU | 05-29-2012 | B.SHEN | 05-29-2012 |



MODEL NO.: 322P073  
 CUST. P/N:  
 HP: 1/10, 1/15, 1/20, 1/25  
 ROT.: CCWLE  
 RPM: 1050  
 TYPE: FE  
 FRAME: 42Y  
 VOLTS: 208-230  
 PH: 1  
 AMPS: 1.6, 0.9, 0.8, 0.7  
 HZ: 60  
 INS.: A  
 AMB.: 40 °C  
 DUTY: AIR OVER  
 CAP.:  
 UL & CSA LOGO  
 THERMALLY PROTECTED  
 TYPE C



|       |                         |  |
|-------|-------------------------|--|
|       | 38.5/41.5<br>[978/1054] |  |
|       | 38.5/41.5<br>[978/1054] |  |
|       | 38.5/41.5<br>[978/1054] |  |
|       | 38.5/41.5<br>[978/1054] |  |
| COLOR |                         |  |

|        |             |          |        |       |         |         |
|--------|-------------|----------|--------|-------|---------|---------|
| 668467 | 5.0 OZ. FT. | PSA 7011 | E46412 | PRGY2 | LR43341 | 260-φ-0 |
|--------|-------------|----------|--------|-------|---------|---------|

- 形位公差
- 平面度
- 直线度
- 倾斜度
- 垂直度
- 平行度
- 圆度
- 圆柱度
- 面轮廓度
- 线轮廓度
- 圆跳动
- 位置度
- 同轴度
- 对称度

除另有注明  
 尺寸公差如下:  
 英寸 X XX XXX XXXX  
 毫米 ±.1 ±.02 ±.005 ±.0005  
 ±0.5 ±0.13 ±0.013  
 角度 ±.50 度  
 清理毛刺和尖棱  
 英寸 .003-.015 毫米 0.1-0.4  
 内圆角  
 英寸 .020 毫米 0.5  
 表面粗糙度  
 英制 125 米制 3.2  
 米制尺寸显示在 [ ]

绘图: J. RUPERT 02-26-1996  
 批准: W. HEAL 03-01-1996  
 第三角投影  
 图框格式发布日期 11-11-2011  
 图框格式版本 H  
 机密: 本图纸及相关信息所有权归REGAL-BELOIT CORPORATION  
 未经REGAL-BELOIT CORPORATION书面授权, 不得泄露、  
 复制、传播或作其他用途。—版权所有

**REGAL-BELOIT CORPORATION**

名称: OUTLINE  
 图号: 11927-027  
 比例: NONE  
 页号: 1

DISTRIBUTION SERVICES