

4

3

2

1

GENERAL INFORMATION:

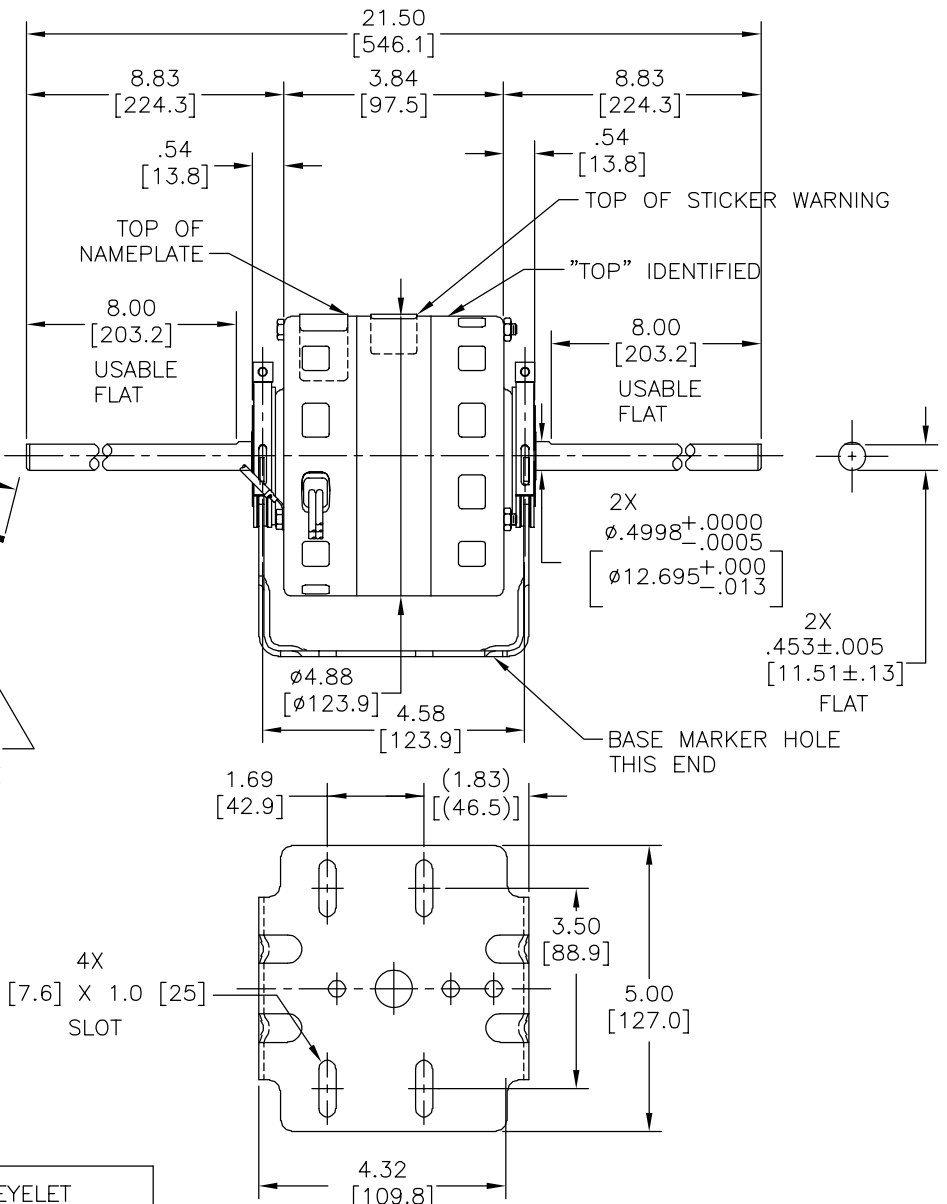
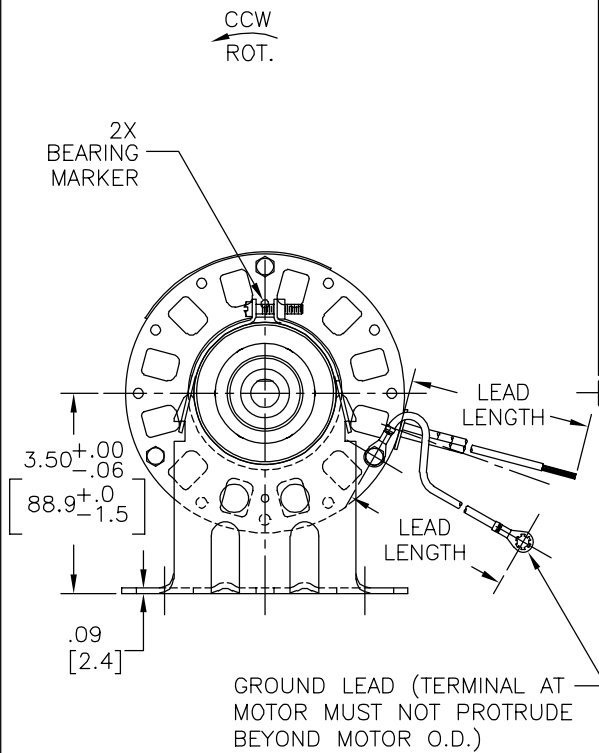
SHAFT RUNOUT: .001 [.03] T.I.R. PER INCH LENGTH OF EXTENSION
 END PLAY: .010 TO .063 [.25 TO 1.60]
 BEARINGS: SLEEVE
 MOUNTING POSITION: HORIZONTAL

ELECTRICAL DATA:

OVERLOAD PROTECTOR: AUTOMATIC RESET (T.I. 7AM 304)
 LEADS: NO. 18 GA., .03 [.8] THK. XLP 125°C INSUL.
 GROUND LEAD: NO. 18 GA., .03 [.8] THK. (GREEN) INSUL.

NOTE:
 1. DISTRIBUTION PART NUMBER: 7RAB4010
 GRAINGER PART NUMBER: 4UB83

REV	ECO	REV BY	DATE	APPD	DATE
E	0025528	E.SINECIO	04-24-2012	R.RASCON	04-24-2012

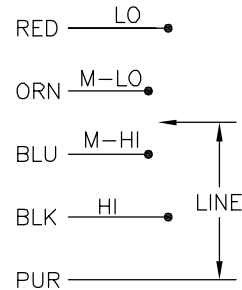


NAMEPLATE DATA:

MODEL NO.: B42B02A01
 CUST. P/N: []
 HP: 1/10
 ROT.: CCWLE
 RPM: 1050/4 SPD.
 TYPE: FE
 FRAME: 42YZ
 VOLTS: 277
 PH: 1
 AMPS: 1.6
 HZ: 60
 INS.: B
 AMB.: 40° C
 DUTY: AIR OVER
 CAP.: -
 UL LOGO
 CSA LOGO
 THERMALLY PROTECTED TYPE C

SEE NOTE #1

EXTERNAL CONNECTION DIAGRAM



GREEN (GROUND)	4.0/5.0 [102/127]	#10 EYELET
RED	26.0/28.0 [660/711]	.50 [12.7] SKIN
ORANGE	26.0/28.0 [660/711]	.50 [12.7] SKIN
BLUE	26.0/28.0 [660/711]	.50 [12.7] SKIN
BLACK	26.0/28.0 [660/711]	.50 [12.7] SKIN
PURPLE	26.0/28.0 [660/711]	.50 [12.7] SKIN
COLOR	LENGTH	TERMINAL OR STRIP LENGTH

MAIN FRAME - OLE	OPEN
END FRAME - OLE	OPEN
MAIN FRAME - LE	OPEN
END FRAME - LE	OPEN

CUSTOMER	DISTRIBUTION SERVICE
----------	----------------------

PREFORMANCE CURVE NO.	TORQUE @1050 RPM (25°C)	APPROVED SAMPLE	UL COMPONENT FILE #	CCN #	CSA FILE #	CLASS #
C32393	11.2 OZ. FT.	0442718B	E46412	PRGY2	LR43341	4211-01

GEOMETRIC CHARACTERISTICS & SYMBOLS
 □ FLATNESS
 - STRAIGHTNESS
 < ANGULARITY
 ⊥ PERPENDICULARITY (SQUARENESS)
 // PARALLELISM
 ○ ROUNDNESS (CIRCULARITY)
 ∅ CYLINDRICITY
 △ PROFILE OF ANY SURFACE
 ∇ PROFILE OF ANY LINE
 ↗ RUNOUT
 ⊕ TRUE POSITION
 ⊙ CONCENTRICITY
 = SYMMETRY
 ASME Y14.5M 1994

REGAL-BELOIT CORPORATION (RBC) PROVIDES TECHNICAL ASSISTANCE TO OUR CUSTOMERS IN SEVERAL AREAS. SINCE RBC DOES NOT RECEIVE ALL DATA CONCERNING THE USE AND APPLICATION OF THE MOTOR, THE SUITABILITY OF THE MOTOR FOR THE APPLICATION MUST BE DETERMINED BY THE CUSTOMER.
 DIMENSIONS WITHOUT TOLERANCES ARE FOR REFERENCE ONLY.

DR BY: S.RECKE 08-13-2004
 APPD: G.PIATT 10-19-2004
 EDS DATE 02-22-2008
 FORMAT REV G
 THIRD ANGLE PROJECTION
 CONFIDENTIAL: THIS DRAWING AND ITS INFORMATION ARE THE EXCLUSIVE AND CONFIDENTIAL PROPERTY OF REGAL-BELOIT CORPORATION AND ARE NOT TO BE DISCLOSED, DUPLICATED, DISTRIBUTED OR OTHERWISE USED WITHOUT THE WRITTEN CONSENT OF REGAL-BELOIT CORPORATION. -ALL RIGHTS RESERVED.

REGAL-BELOIT CORPORATION
 DESCRIPTION: MODEL-RFHP-42FR OUTLINE
 SIZE: C DWG NO: 11927-053
 SCALE: NONE SHEET: 1

4

3

2

1

4

3

2

1

INFORMACION GENERAL:

OSCILACION DE FLECHA: .001 [.03] L.T.I. EXTENSION DE LARGO POR PULGADA

JUEGO AXIAL: .010 TO .063 [.25 TO 1.60]

BALEROS: MANGA

POSICION DE MONTAGE: HORIZONTAL

INFORMACION ELECTRICA:

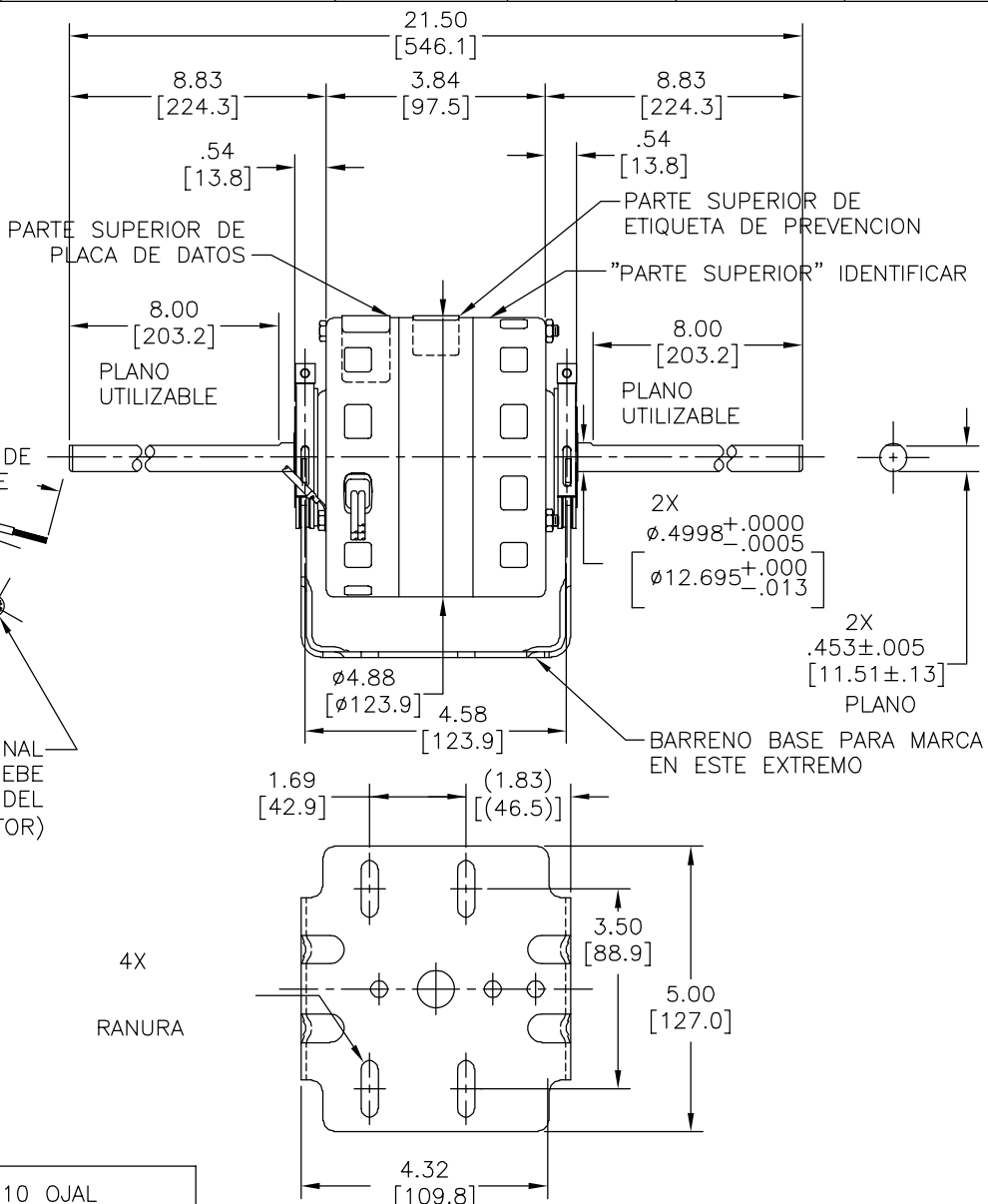
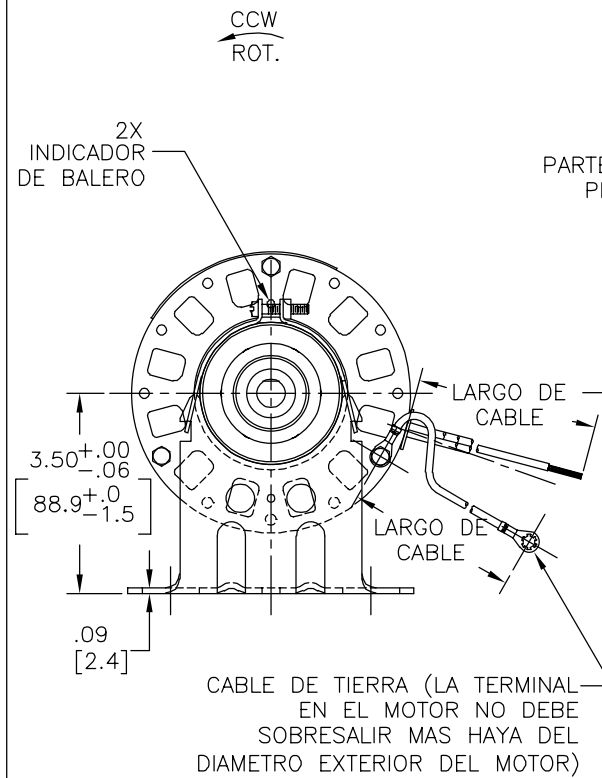
PROTECTOR DE SOBRECARGA: REINICIO AUTOMATICO (T.I. 7AM 304)

CABLES: NO. 18 GA., .03 [.8] THK. XLP 125°C INSUL.

CABLE DE TIERRA: NO. 18 GA., .03 [.8] THK., (VERDE) INSUL.

NOTA:
1. NUMERO DE PARTE DE DISTRIBUCION: 7RAB4010
NUMERO DE PARTE GRAINGER: 4UB83

REVISION:	ECO	REVISADO POR:	FECHA:	APROBADO POR:	FECHA:
E	0025528	E.SINECIO	04-24-2012	R.RASCON	04-24-2012



VERDE (TIERRA)	4.0/5.0 [102/127]	#10 OJAL
ROJO	26.0/28.0 [660/711]	.50 [12.7] FORRO
NARANJA	26.0/28.0 [660/711]	.50 [12.7] FORRO
AZUL	26.0/28.0 [660/711]	.50 [12.7] FORRO
NEGRO	26.0/28.0 [660/711]	.50 [12.7] FORRO
MORADO	26.0/28.0 [660/711]	.50 [12.7] FORRO
COLOR	LARGO	LARGO DE TIRA O TERMINAL

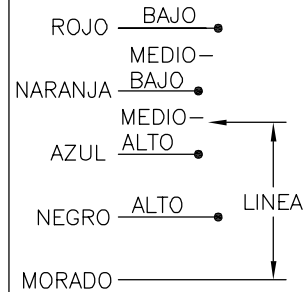
CARCAZA.-LOC	ABIERTO
TAPA.-LOC	ABIERTO
CARCAZA.-LOC	ABIERTO
TAPA.-LOC	ABIERTO

CLIENTE	SERVICIO DE DISTRIBUCION
---------	--------------------------

INFORMACION DE PLACA DE DATOS

MODEL NO.: B42B02A01
CUST. P/N: []
HP: 1/10
ROT.: CCWLE
RPM: 1050/4 SPD.
TYPE: FE
FRAME: 42YZ
VOLTS: 277
PH: 1
AMPS: 1.6
HZ: 60
INS.: B
AMB.: 40° C
DUTY: AIR OVER
CAP.: -
UL LOGO
CSA LOGO
THERMALLY PROTECTED TYPE C

DIAGRAMA DE CONECCION EXTERNA



NO. CURVA DESEMPEÑO	TORQUE @1050 RPM (25°C)	MUESTRA APROVADA	COMPONENTE UL	CSA
C32393	11.2 OZ. FT.	0442718B	#ARCHIVO #GUIA	#ARCHIVO #GUIA
			E46412 PRGY2	LR43341 4211-01

CARACTERISTICAS DE GEOMETRIA Y SIMBOLOS

- PLANICIDAD
- RECTITUD
- ∠ ANGULARIDAD
- ⊥ PERPENDICULARIDAD (A ESCUADRA)
- // PARALELISMO
- REDONDEZ (CIRCULARIDAD)
- ∅ CILINDRICIDAD
- △ PERFIL DE CUALQUIER SUPERFICIE
- ∧ PERFIL DE CUALQUIER LINEA
- ∩ VARIACION
- ⊕ POSICION REAL
- ⊙ CONCENTRICIDAD
- = SIMETRIA

ASME Y14.5M 1994

REGAL-BELOIT CORPORATION (RBC) PROVEE ASISTENCIA TECNICA A NUESTROS CLIENTES EN VARIAS AREAS, DESDE QUE RBC NO RECIBE TODOS LOS DATOS EN RELACION AL USO Y A LA APLICACION DEL MOTOR, LA APLICACION ADECUADA DEL MOTOR DEBE SER DETERMINADA POR EL CLIENTE.

DIMENSIONES SIN TOLERANCIA SON DE REFERENCIA SOLAMENTE

DIBUJADO POR: S.RECKE 08-13-2004

APROBADO POR: G.PIATT 10-19-2004

TERCER ANGULO DE PROYECCION

FECHA EDS: 02-22-2008

REV. FORMATO: G

CONFIDENCIAL: ESTE DIBUJO Y SU INFORMACION SON PROPIEDAD DE USO EXCLUSIVO Y CONFIDENCIAL DE REGAL-BELOIT CORPORATION. Y NO DEBERAN SER REVELADOS, DUPLICADOS, DISTRIBUIDOS O USARSE DE OTRA MANERA SIN EL CONSENTIMIENTO ESCRITO DE REGAL-BELOIT CORPORATION. -TODOS LOS DERECHOS RESERVADOS.



DESCRIPCION: MODEL-RFHP-42FR OUTLINE

TAMAÑO: C NUMERO DE DIBUJO: 11927-053

ESCALA: NONE HOJA: 1

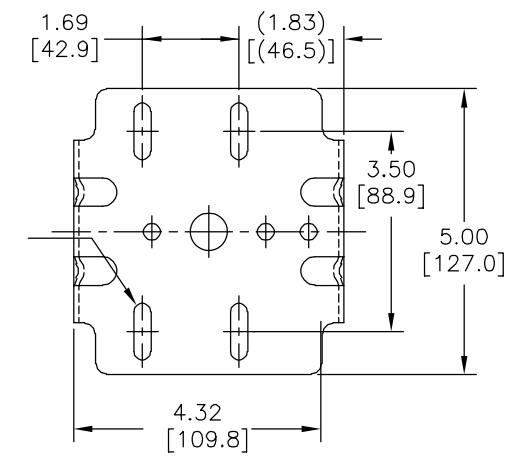
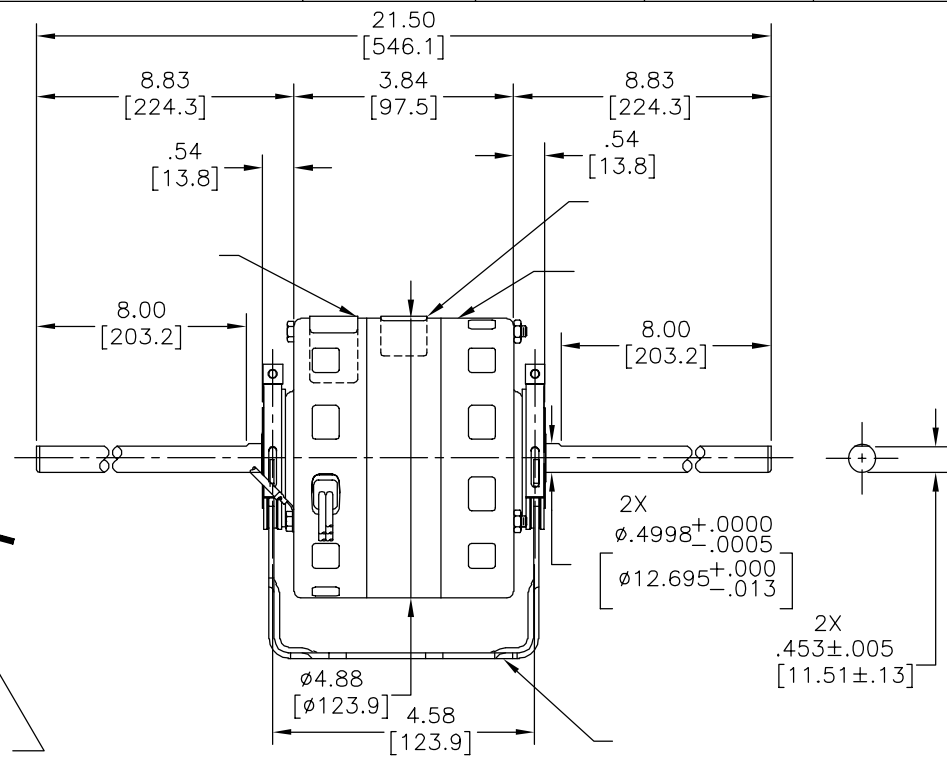
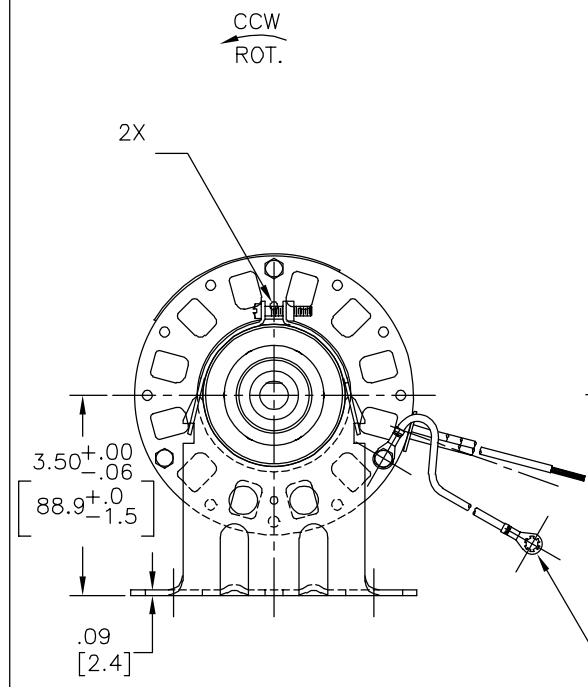
4

3

2

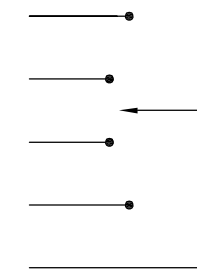
1

版本	ECO	编制	日期	批准	日期
E	0025528	E.SINECIO	04-24-2012	R.RASCON	04-24-2012



	4.0/5.0 [102/127]	
	26.0/28.0 [660/711]	
	26.0/28.0 [660/711]	
	26.0/28.0 [660/711]	
	26.0/28.0 [660/711]	
	26.0/28.0 [660/711]	
	26.0/28.0 [660/711]	
	26.0/28.0 [660/711]	

MODEL NO.: B42B02A01
 CUST. P/N:
 HP: 1/10
 ROT.: CCWLE
 RPM: 1050/4 SPD.
 TYPE: FE
 FRAME: 42YZ
 VOLTS: 277
 PH: 1
 AMPS: 1.6
 HZ: 60
 INS.: B
 AMB.: 40° C
 DUTY: AIR OVER
 CAP.: -
 UL LOGO
 CSA LOGO
 THERMALLY PROTECTED
 TYPE C



					CSA
C32393	11.2 OZ. FT.	0442718B	E46412	PRGY2	LR43341 4211-01

- 形位公差
- 平面度
 - 直线度
 - ∠ 倾斜度
 - ⊥ 垂直度
 - // 平行度
 - 圆度
 - ⊘ 圆柱度
 - ⊙ 面轮廓度
 - ⌒ 线轮廓度
 - ↗ 圆跳动
 - ⊕ 位置度
 - ⊙ 同轴度
 - ≡ 对称度

ASME Y14.5M 1994

REGAL-BELOIT CORPORATION (RBC) 在个别领域为客户提供技术支持。鉴于RBC未收到任何涉及电机使用和应用环境的数据，电机的适用性由客户自己决定。

未注公差尺寸仅供参考。

绘图:	S.RECKE	08-13-2004
批准:	G.PIATT	10-19-2004
第三角投影		图纸格式发布日期 02-22-2008 图纸格式版本 G
机密: 本图纸及相关信息所有权归REGAL-BELOIT CORPORATION。未经REGAL-BELOIT CORPORATION书面授权, 不得泄露、复制、传播或作其他用途。—版权所有		



名称	MODEL-RFHP-42FR OUTLINE	
图幅	C	图号 11927-053
比例	NONE	页号 1