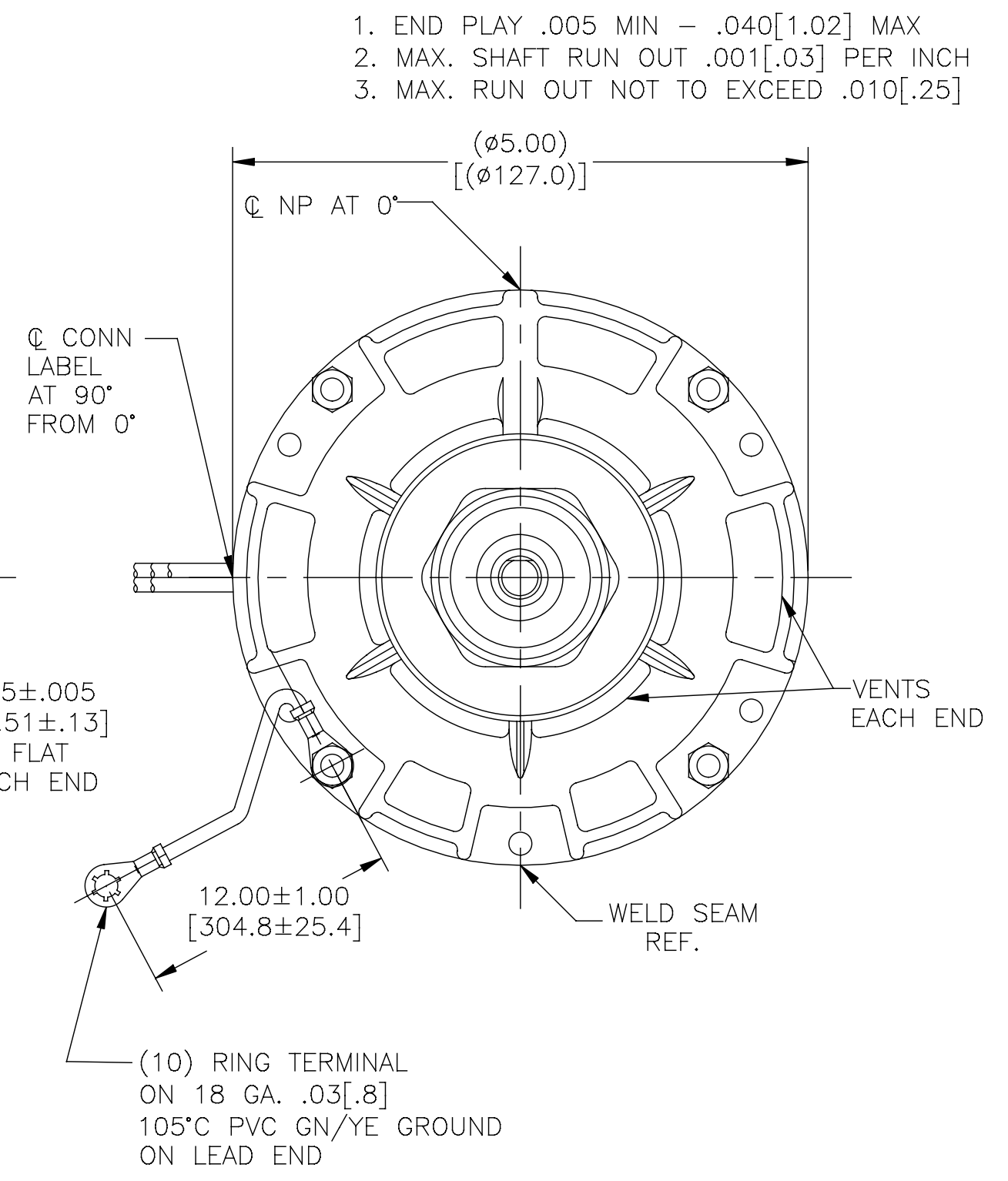
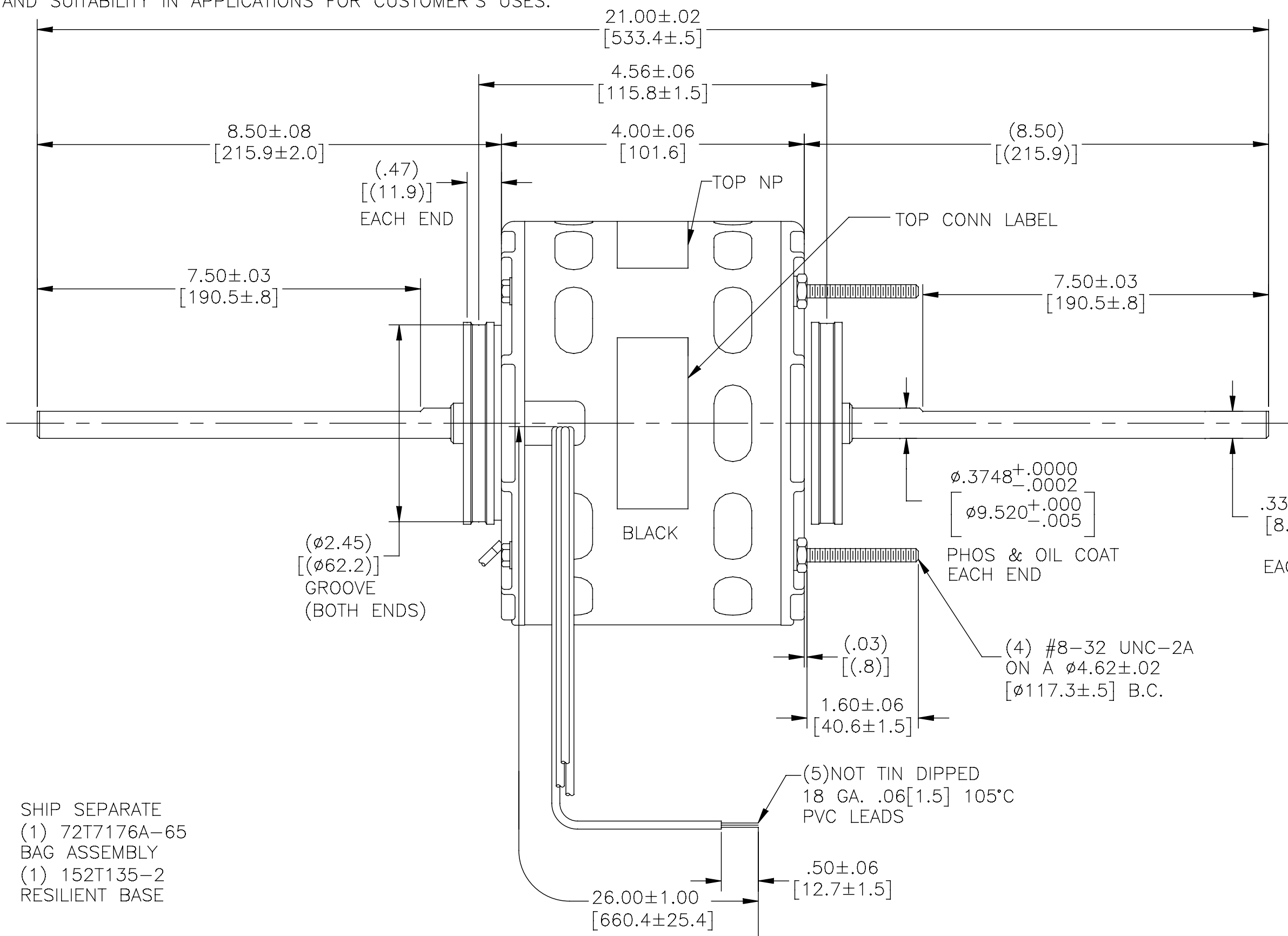
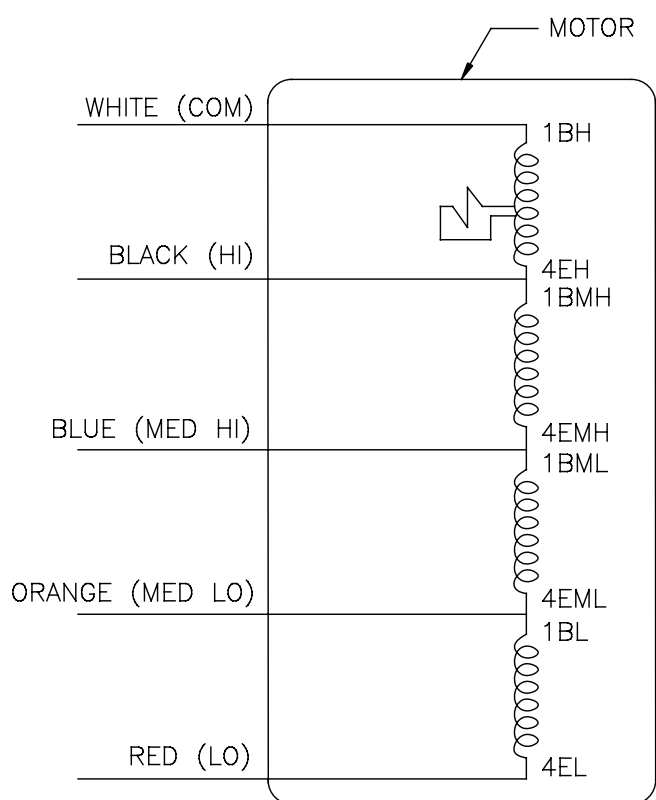


CUSTOMER IS SOLELY RESPONSIBLE FOR MOTOR PERFORMANCE AND SUITABILITY IN APPLICATIONS FOR CUSTOMER'S USES.



SHIP SEPARATE  
(1) 72T7176A-65  
BAG ASSEMBLY  
(1) 152T135-2  
RESILIENT BASE

SCHEMATIC-281



ROT.: - CCWLE  
NAMEPLATE DATA:



SER. DATE & P0# PLT LTR MOD DA2F099N" STK NO. DBL4412  
VOLTS 208-230 HZ 60 AMPS 2.11  
RPM 1550 SP 4 PH 1 CAP  
INS CL B AMB40°C HP 1/10 CONT. A.O. ← ROTATION →  
BRG SLV ASSEMBLED IN MEXICO

CONN. LABEL  
10004653-002-001

ELECTRICALLY PER  
SAMPLE 0441457C  
CURVE #32390

DRAWING REVISION F	REVISION BY C.ZHOU	DATE 10-27-2015	TOLERANCES UNLESS OTHERWISE SPECIFIED DEC. INCH mm ANGLE .XX ±0.1 [±2.5] ±0.5° .XXX ±0.02 [±0.51] .XXXX ±0.005 [±0.127] .XXXX ±0.0005 [±0.0127]	DRAWN BY:	<b>Regal Beloit America, Inc.</b>
ECO ECO-0087749	APPROVED BY C.ZHANG	DATE 10-27-2015	REMOVE BURRS & BREAK SHARP EDGES .003/.015 [0.076/.381] CORNER FILLETS .02 [0.51] MACHINED SURFACES 125/3.2 INCH/mm	DATE:	
ECO DESCRIPTION @ZONE B2 CHANGE CONN LB TO 10004653-002-001				APPROVED BY:	DESCRIPTION MODEL-RFHP-42FR OUTLINE
<small>COPYRIGHT REGAL BELOIT AMERICA, INC. ALL RIGHTS RESERVED. PROPRIETARY AND CONFIDENTIAL INFORMATION - THIS DOCUMENT IS THE PROPERTY OF REGAL BELOIT AMERICA, INC. (OWNERS) AND CONTAINS OWNERS PROPRIETARY INFORMATION. ANY PERSON, CORPORATION OR OTHER FIRM RECEIVING IT IS DEEMED, BY RECEIVING IT, TO AGREE THAT IT, AND/OR ANY PART OF IT, SHALL NOT BE DISCLOSED TO ANY PERSON, CORPORATION OR OTHER ENTITY, DUPLICATED, AND/OR USED, EXCEPT AS EXPRESSLY APPROVED IN WRITING IN ADVANCE BY OWNER. THIS DOCUMENT SHALL BE RETURNED TO OWNER UPON REQUEST. IT MAY BE SUBJECT TO CERTAIN RESTRICTIONS UNDER APPLICABLE EXPORT CONTROL LAWS AND REGULATIONS.</small>				DATE:	MATERIAL
				REFERENCE	PROCESS/FINISH
				THIRD ANGLE PROJECTION	SIZE DWG NO C DA2F7099
					SHEET 1