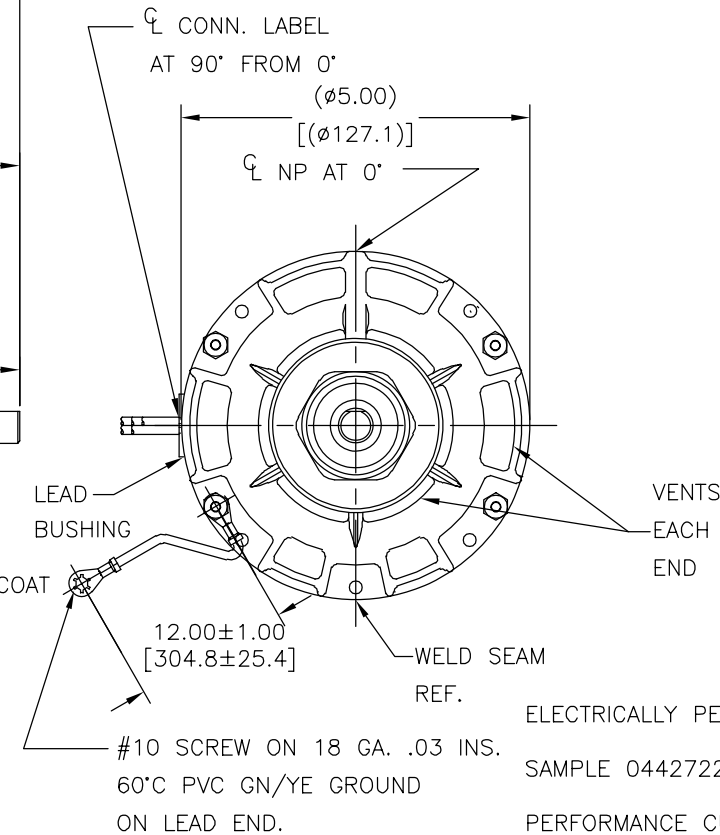
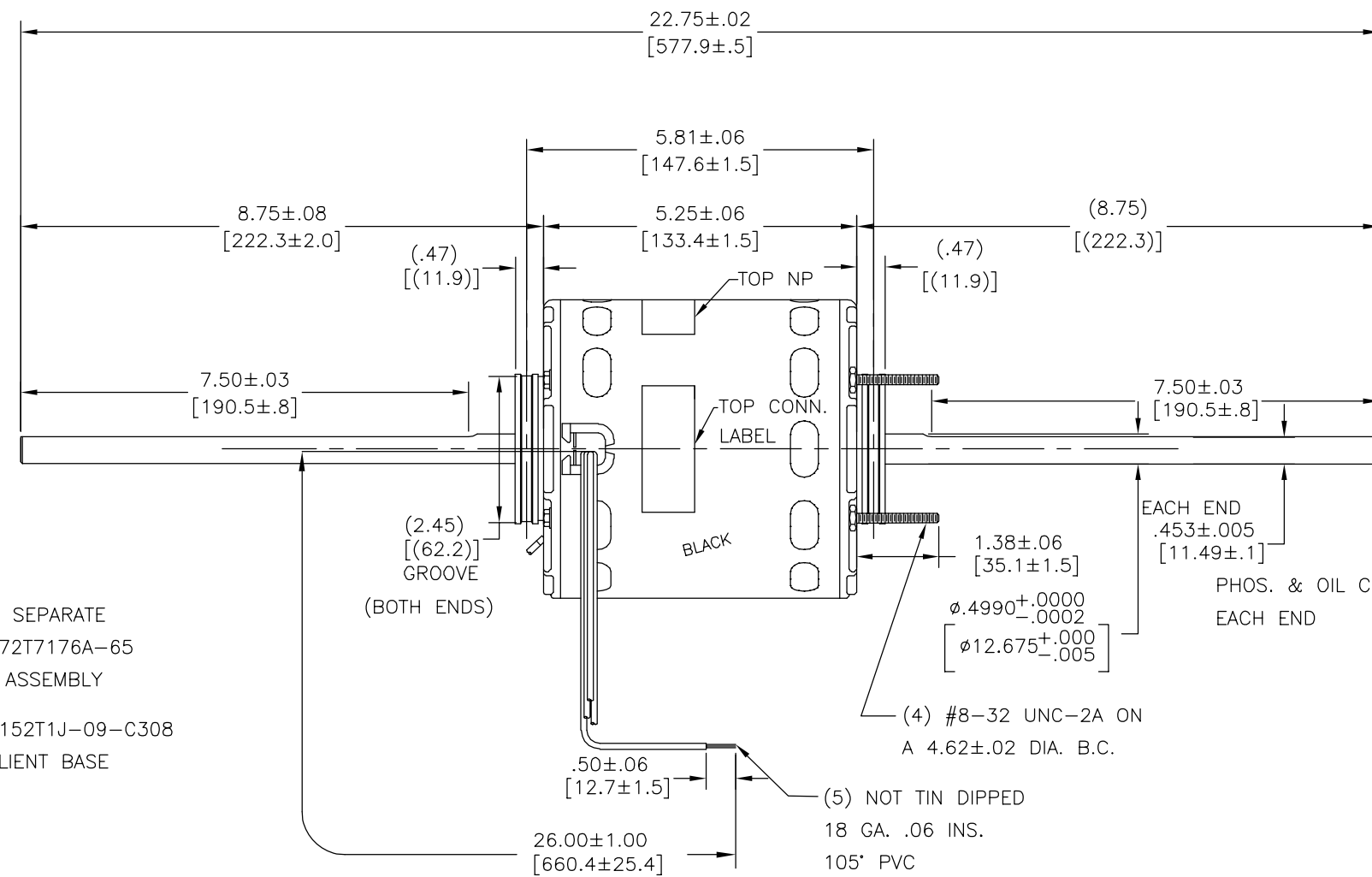
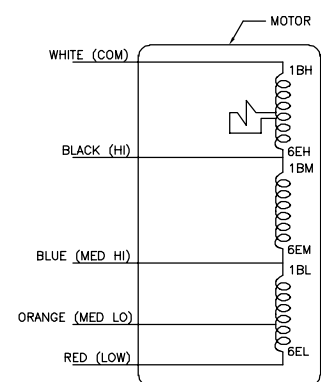


REV	ECO	REV BY	DATE	APPD	DATE
A	0038154	J.M.RAMIREZ	11-15-2013	G.ALVIDREZ	11-15-2013



SHIP SEPARATE
 (1) 72T7176A-65
 BAG ASSEMBLY
 (1) 152T1J-09-C308
 RESILIENT BASE

ELECTRICALLY PER
 SAMPLE 0442722B
 PERFORMANCE CURVE NO.
 C32352



SCHEMATIC-315

ROT.- CCWLE

NAMEPLATE DATA: **Century** Tipp City, OH THERMALLY PROTECTED
 SER. DATE & P0# PLT LTR MOD DA3J093N* STK NO. 9678
 VOLTS 115 HZ 60 AMPS 8.5
 RPM 1050/4 SPD PH CAP
 INS CL B AMB40°C HP 1/4 CONT. A.O. ←ROTATION←
 BRG SLV ASSEMBLED IN MEXICO

CONN. LABEL
 63T7432-301

GEOMETRIC CHARACTERISTICS & SYMBOLS
 □ FLATNESS
 - STRAIGHTNESS
 < ANGLARITY
 ⊥ PERPENDICULARITY (SQUARENESS)
 // PARALLELISM
 ○ ROUNDNESS (CIRCULARITY)
 ∅ CYLINDRICITY
 △ PROFILE OF ANY SURFACE
 ∩ PROFILE OF ANY LINE
 ↗ RUNOUT
 ⊕ TRUE POSITION
 ⊙ CONCENTRICITY
 = SYMMETRY
 ASME Y14.5M 1994

UNLESS OTHERWISE SPECIFIED
 DIM. TOLERANCES ARE AS FOLLOWS:
 INCH X XX XXX XXXX
 ±.1 ±.02 ±.005 ±.0005
 mm ±0.5 ±0.13 ±0.013
 ANG. ±.50 DEG
 REMOVE BURRS & BREAK SHARP EDGES:
 INCH .003-.015 mm 0.1-0.4
 CORNER FILLETS TO:
 INCH .020 mm 0.5
 MACHINE SURFACES:
 INCH 125 mm 3.2
 METRIC DIMS. SHOWN IN [BRACKETS]

DR BY: J.M.RAMIREZ 11-15-2013
 APPD: G.ALVIDREZ 11-15-2013
 THIRD ANGLE PROJECTION
 EDS DATE 11-11-2011
 FORMAT REV H
 CONFIDENTIAL: THIS DRAWING AND ITS INFORMATION ARE THE EXCLUSIVE AND CONFIDENTIAL PROPERTY OF REGAL-BELOIT CORPORATION AND ARE NOT TO BE DISCLOSED, DUPLICATED, DISTRIBUTED OR OTHERWISE USED WITHOUT THE WRITTEN CONSENT OF REGAL-BELOIT CORPORATION. -ALL RIGHTS RESERVED.

REGAL REGAL-BELOIT CORPORATION
 DESCRIPTION: MODEL-RFHP-42FR OUTLINE
 SIZE C DWG NO 9678
 SCALE NONE SHEET 1