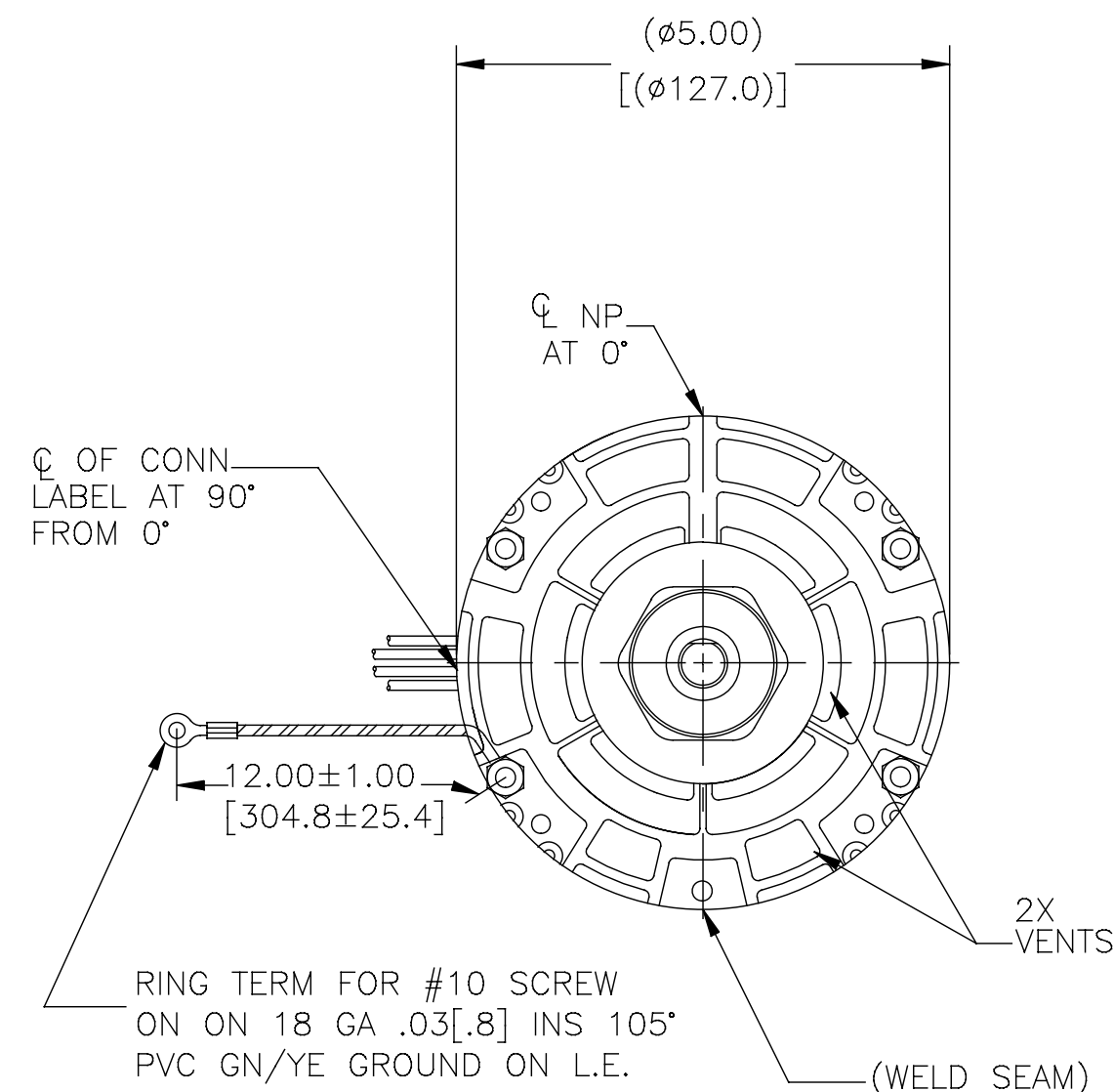
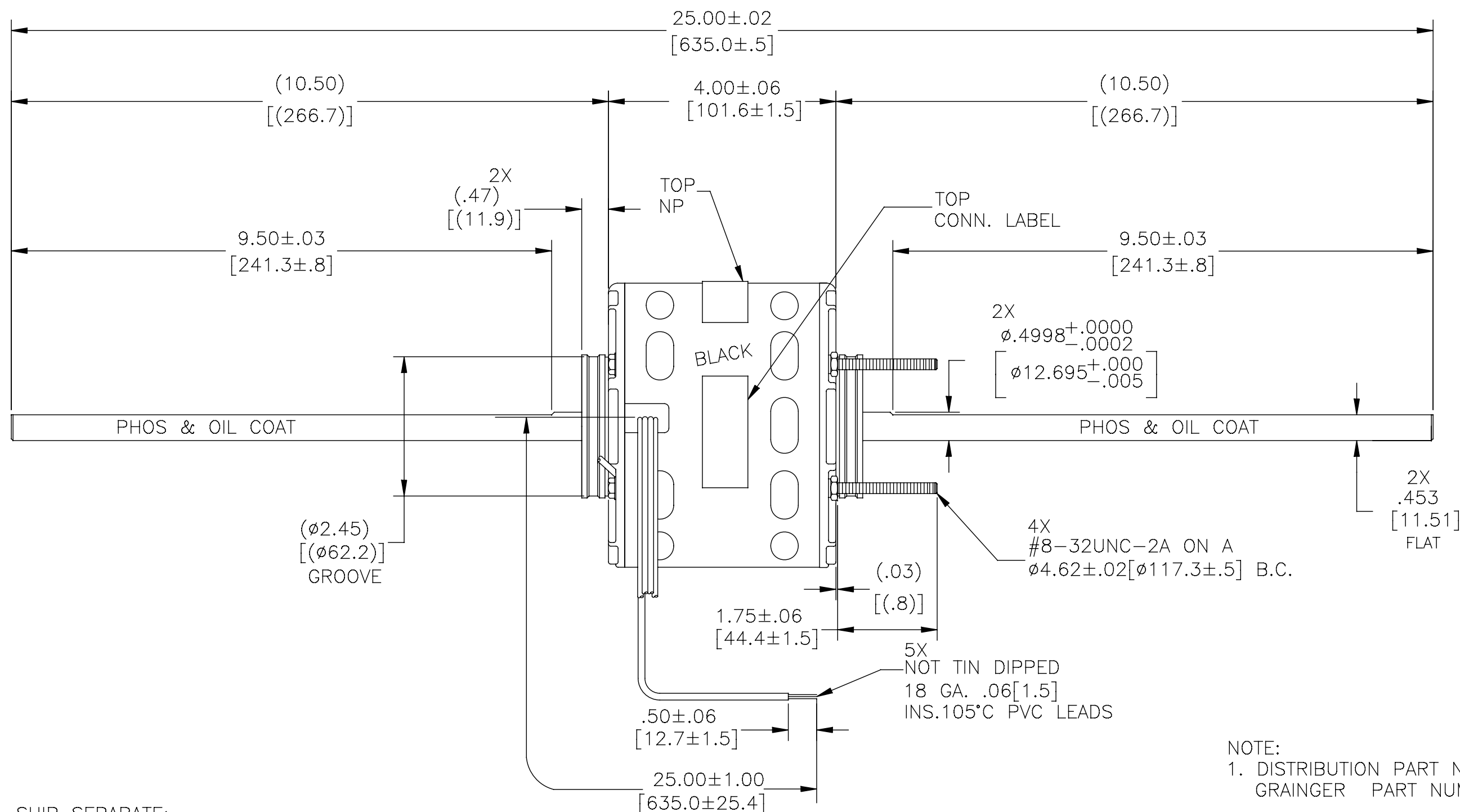


CUSTOMER IS SOLELY RESPONSIBLE FOR MOTOR PERFORMANCE AND SUITABILITY IN APPLICATIONS FOR CUSTOMER'S USES.

END PLAY: .005[.13] MIN. -.040[1.02] MAX.
 MAX. SHAFT RUNOUT .001[.03] PER INCH
 MAX. SHAFT RUNOUT NOT TO EXCEED .010[.25]



NOTE:
 1. DISTRIBUTION PART NUMBER: 9676
 GRAINGER PART NUMBER: 4UU50

SHIP SEPARATE:
 1X 72T7176A-65 BAG ASSEMBLY
 1X 152T135-2 RESIL BASE

ELECTRICALLY PER SAMPLE
 0442634B CURVE #32282

CCWLE-CWSE

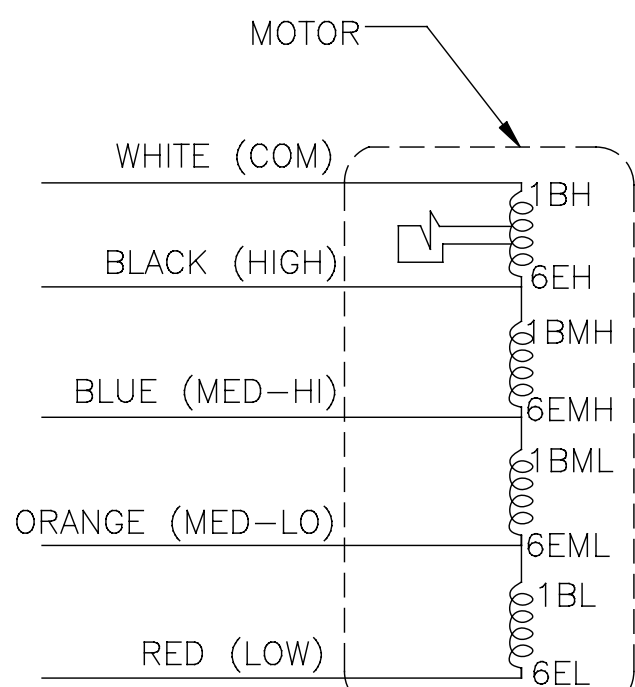
NAMEPLATE DATA:

Century Tipp City, OH
THERMALLY PROTECTED

SER. DATE & P0# PLT LTR MOD DA3G207N"
 VOLTS 115 HZ 60 AMPS 4.4
 RPM 1050 SP PH 1 CAP
 INS CL B AMB 40 °C HP 1/8 AO
 BRG SLV ASSEMBLED IN MEXICO

SEE NOTE 1

CONN. LABEL
 10004653-002-001



SCHEMATIC-281

DRAWING REVISION H	REVISION BY C.ZHOU	DATE 10-27-2015	TOLERANCES UNLESS OTHERWISE SPECIFIED DEC. INCH mm ANGLE .XX ±0.1 [±2.5] ±0.5° .XX ±0.02 [±0.51] .XXX ±0.005 [±0.127] .XXXX ±0.0005 [±0.0127]	DRAWN BY: KGPROD	REGAL ™ Regal Beloit America, Inc.
ECO ECO-0087749	APPROVED BY C.ZHANG	DATE 10-27-2015	REMOVE BURRS & BREAK SHARP EDGES .003[.015] [0.076[.381]] CORNER FILLETS .02 [51] MACHINED SURFACES 125/INCH 3.2/mm SHOWN IN [BRACKETS]	DATE: 08-10-2004	
ECO DESCRIPTION @ZONE A1 CHANGE CONN LB TO 10004653-002-001				APPROVED BY:	DESCRIPTION MODEL-RFHP-42FR OUTLINE
COPYRIGHT REGAL BELOIT AMERICA, INC. ALL RIGHTS RESERVED. PROPRIETARY AND CONFIDENTIAL INFORMATION - THIS DOCUMENT IS THE PROPERTY OF REGAL BELOIT AMERICA, INC. (OWNERS) AND CONTAINS OWNERS PROPRIETARY INFORMATION. ANY PERSON, CORPORATION OR OTHER FIRM RECEIVING IT IS DEEMED, BY RECEIVING IT, TO AGREE THAT IT, AND/OR ANY PART OF IT, SHALL NOT BE DISCLOSED TO ANY PERSON, CORPORATION OR OTHER ENTITY, DUPLICATED, AND/OR USED, EXCEPT AS EXPRESSLY APPROVED IN WRITING IN ADVANCE BY OWNER. THIS DOCUMENT SHALL BE RETURNED TO OWNER UPON REQUEST. IT MAY BE SUBJECT TO CERTAIN RESTRICTIONS UNDER APPLICABLE EXPORT CONTROL LAWS AND REGULATIONS.				DATE:	MATERIAL
				REFERENCE	PROCESS/FINISH
				THIRD ANGLE PROJECTION	SIZE DWG NO C DA3G7207
					SHEET 1