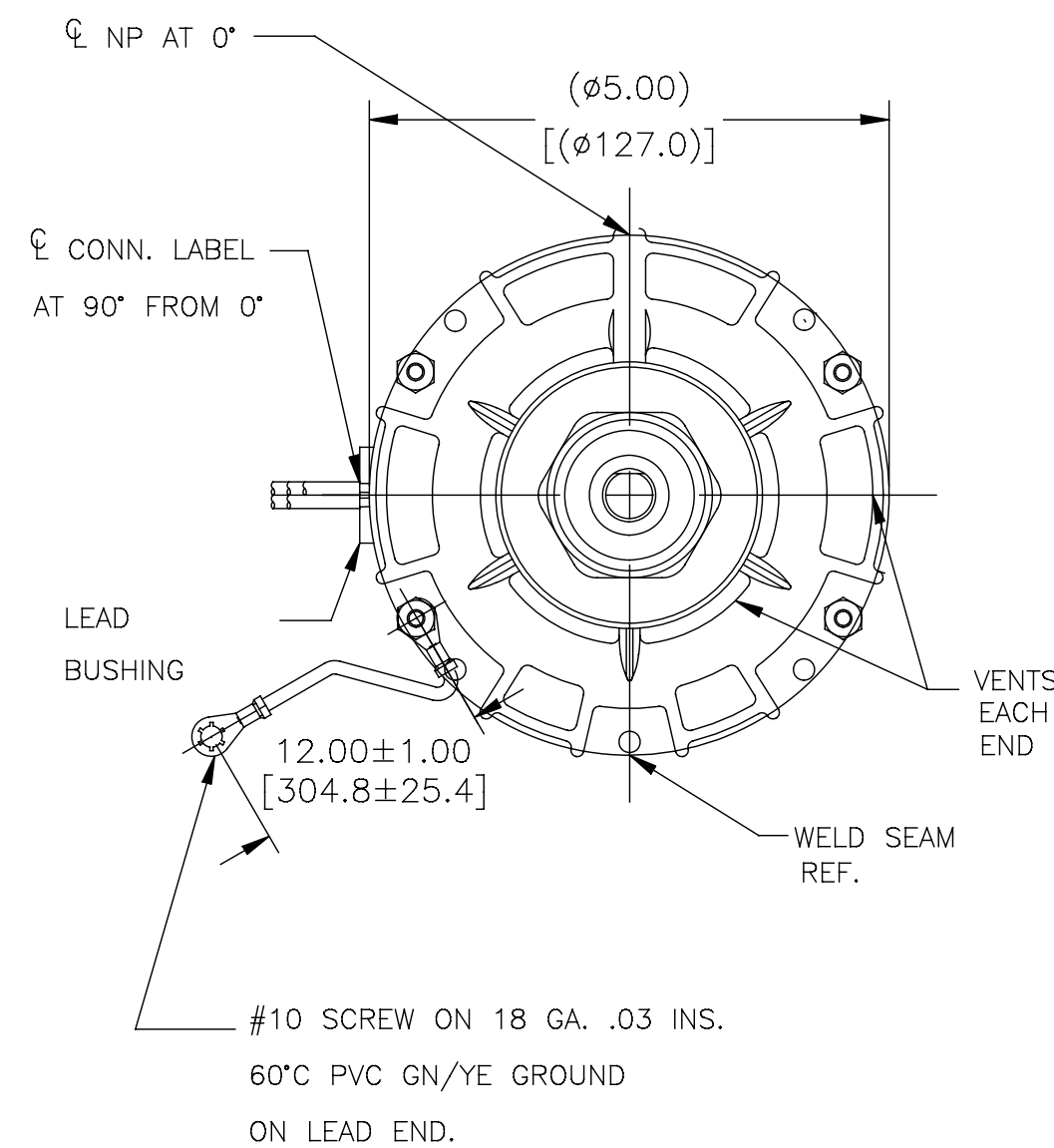
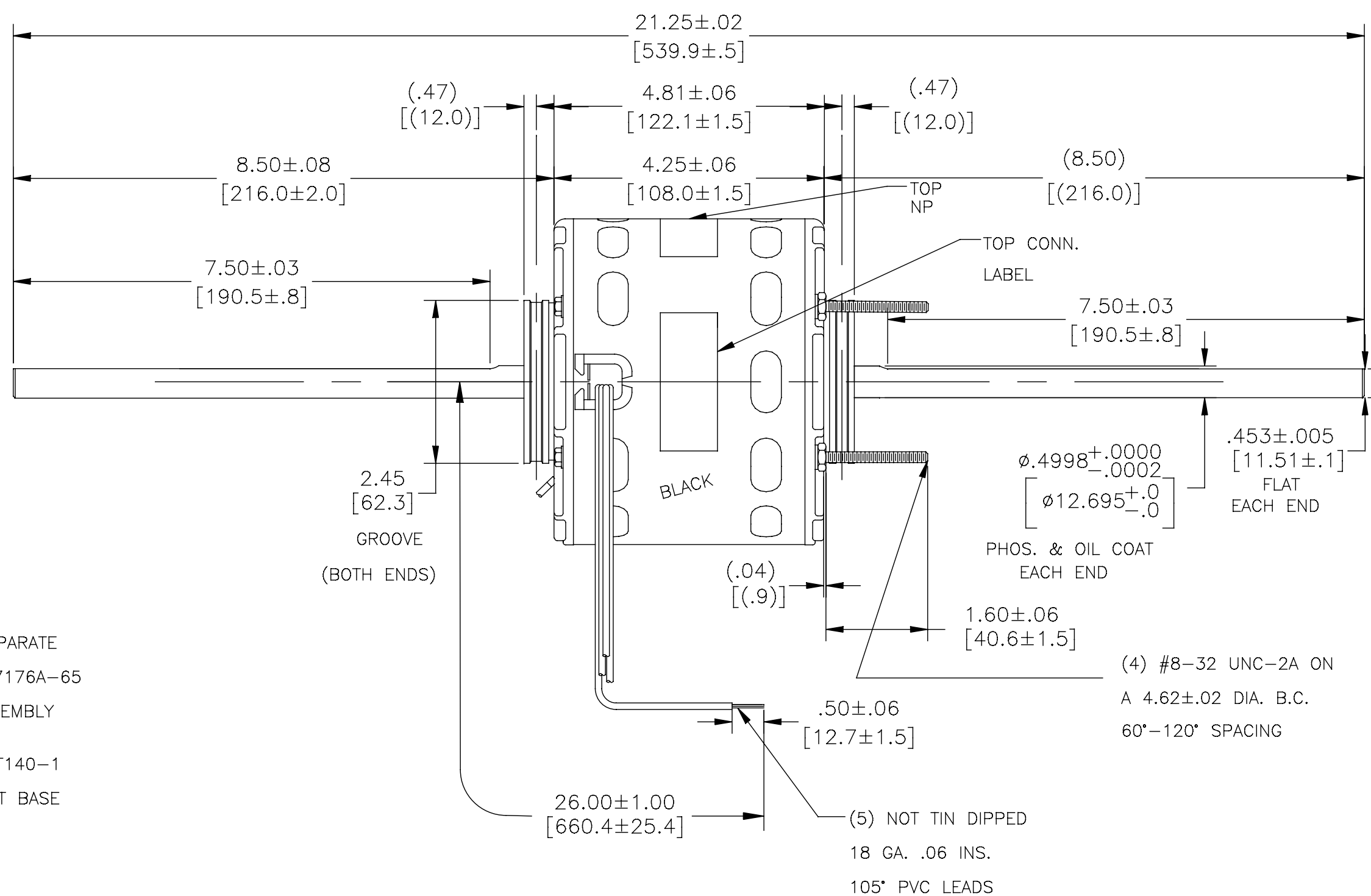


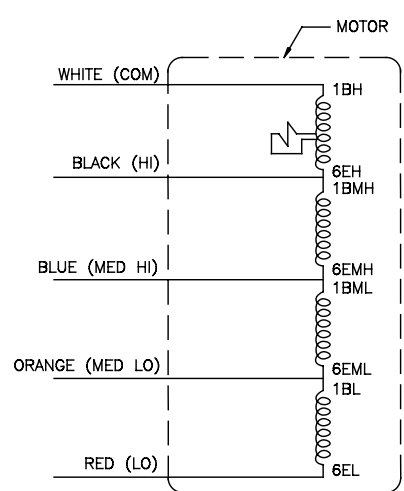
CUSTOMER IS SOLELY RESPONSIBLE FOR MOTOR PERFORMANCE AND SUITABILITY IN APPLICATIONS FOR CUSTOMER'S USES.

END PLAY .005[.13] MIN - .040[1.02] MAX  
 MAX. SHAFT RUN OUT .001[.03] PER INCH  
 MAX. RUN OUT NOT TO EXCEED .010[.25]



SHIP SEPARATE  
 (1) 72T7176A-65  
 BAG ASSEMBLY  
 (1) 152T140-1  
 RESILIENT BASE

ELECTRICALLY PER  
 SAMPLE 0442723C  
 PERFORMANCE CURVE NO.  
 C32423



SCHEMATIC-281

ROT.: - CCWLE

NAMEPLATE DATA:

**Century** Tipp City, OH THERMALLY PROTECTED

SER. DATE & P0# PLT LIR MOD DA3G209N STK NO. 9677  
 VOLTS 115 HZ 60 AMPS 8.6  
 RPM 1050 SP 4 PH 1 CAP  
 INS CL B AMB40°C HP 1/6 CONT. A.O. ← ROTATION ←  
 BRG SLV ASSEMBLED IN MEXICO

CONN. LABEL  
 10004653-002-001

DRAWING REVISION F	REVISION BY C.ZHOU	DATE 10-27-2015	TOLERANCES UNLESS OTHERWISE SPECIFIED DEC. INCH mm ANGLE .X ±0.1 [±2.5] ±0.5° .XX ±0.02 [±0.51] .XXX ±0.005 [±0.127] .XXXX ±0.0005 [±0.0127]	DRAWN BY: JRUPER	<b>REGAL</b> ™ Regal Beloit America, Inc.
ECO ECO-0087749	APPROVED BY C.ZHANG	DATE 10-27-2015	REMOVE BURRS & BREAK SHARP EDGES .003/.015 [0.076/.381] CORNER FILLETS .02 [51] MACHINED SURFACES 125/3.2 INCH/mm	DATE: 11-15-2004	
ECO DESCRIPTION @ZONE A1 CHANGE CONN LB TO 10004653-002-001				APPROVED BY: GPIAIT	DESCRIPTION MODEL-RFHP-42FR OUTLINE
COPYRIGHT REGAL BELOIT AMERICA, INC. ALL RIGHTS RESERVED. PROPRIETARY AND CONFIDENTIAL INFORMATION - THIS DOCUMENT IS THE PROPERTY OF REGAL BELOIT AMERICA, INC. (OWNERS) AND CONTAINS OWNERS PROPRIETARY INFORMATION. ANY PERSON, CORPORATION OR OTHER FIRM RECEIVING IT IS DEEMED, BY RECEIVING IT, TO AGREE THAT IT, AND/OR ANY PART OF IT, SHALL NOT BE DISCLOSED TO ANY PERSON, CORPORATION OR OTHER ENTITY, DUPLICATED, AND/OR USED, EXCEPT AS EXPRESSLY APPROVED IN WRITING IN ADVANCE BY OWNER. THIS DOCUMENT SHALL BE RETURNED TO OWNER UPON REQUEST. IT MAY BE SUBJECT TO CERTAIN RESTRICTIONS UNDER APPLICABLE EXPORT CONTROL LAWS AND REGULATIONS.				DATE: 11-15-2004	MATERIAL -
				REFERENCE -	PROCESS/FINISH -
				THIRD ANGLE PROJECTION	SIZE DWG NO C DA3G7209
					SHEET 1