

4

3

2

1

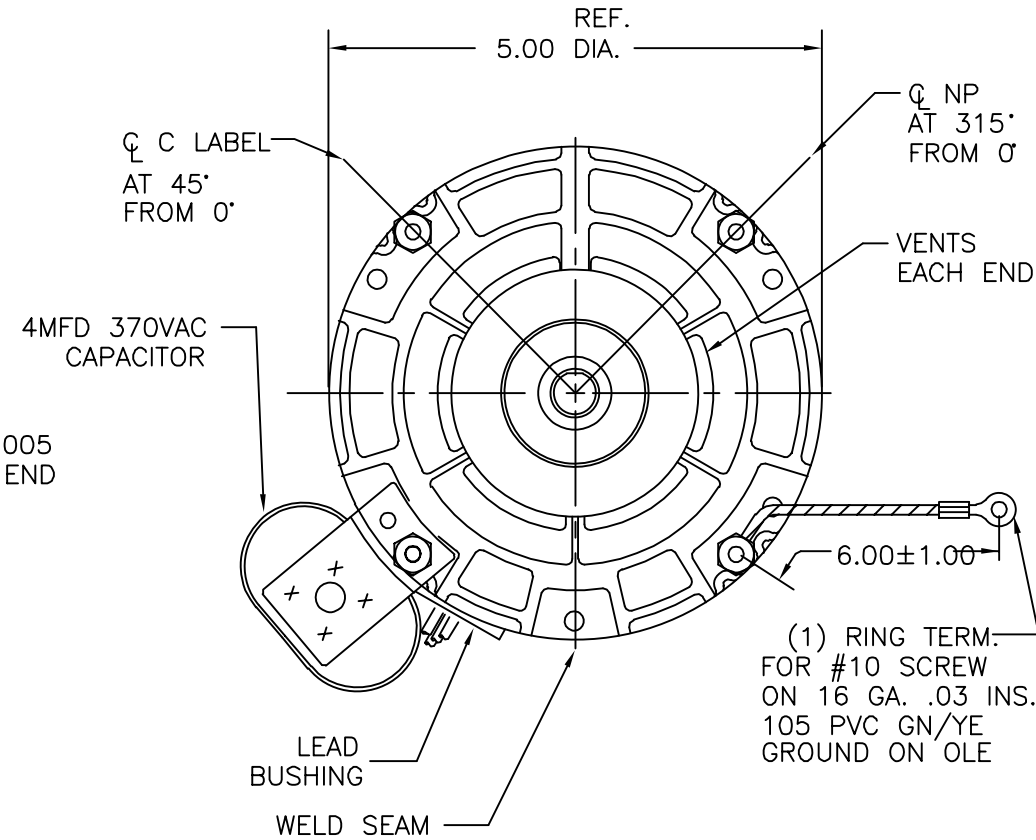
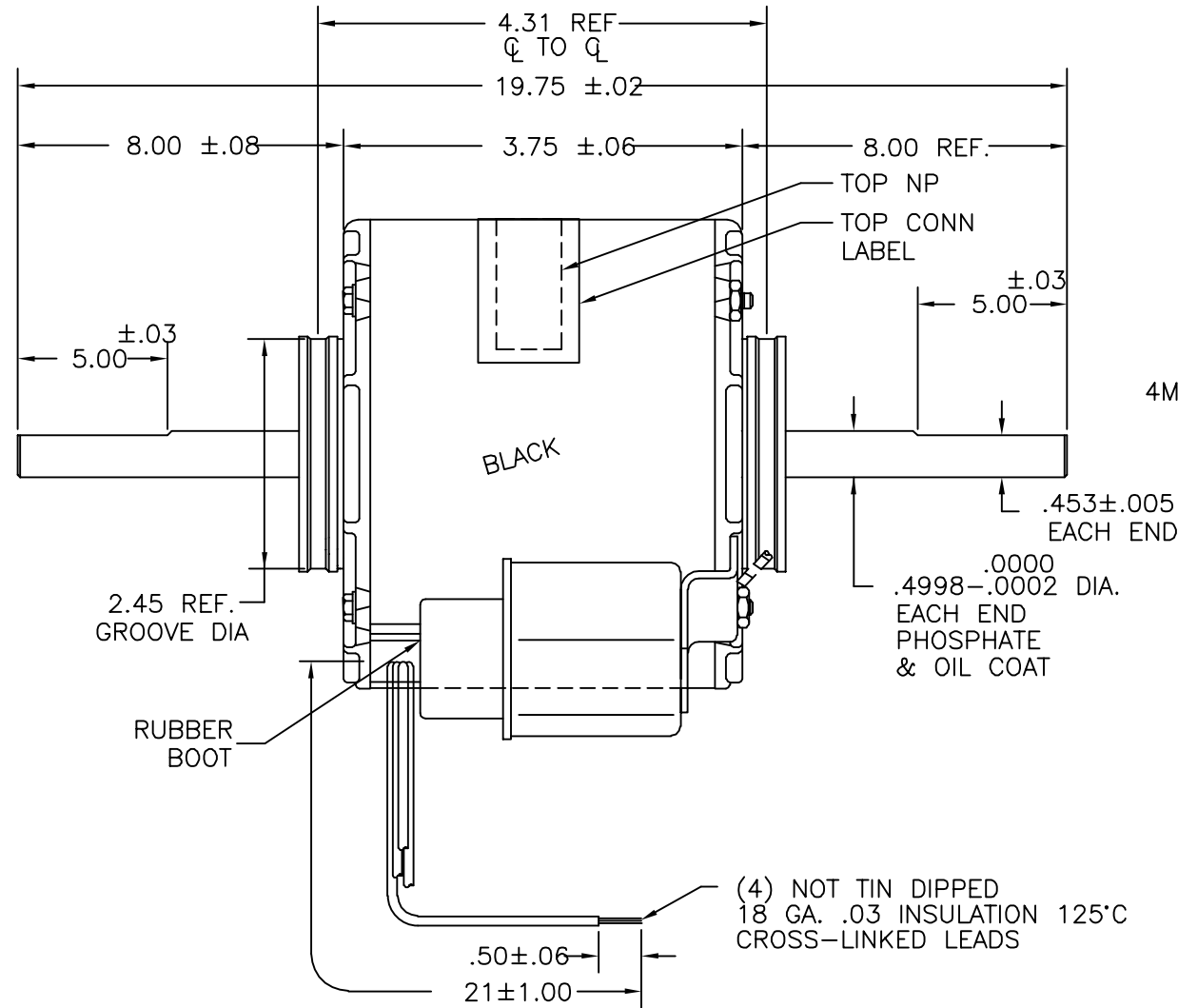
CUSTOMER IS SOLELY RESPONSIBLE FOR MOTOR PERFORMANCE AND SUITABILITY IN APPLICATIONS FOR CUSTOMER'S USES.

DE2F7092N

REV DATE

| REV | ECO | DESCRIPTION | REV BY | DATE | APPD | REV | APPD |
|-----|---------|-------------|-----------|------------|----------|-----|------------|
| F | 0029022 | | A.ARREOLA | 10-17-2012 | R.RASCON | | 10-17-2012 |

ENDPLAY .005 MIN - .040 MAX
 MAXIMUM SHAFT RUN OUT .001 PER INCH
 MAXIMUM RUN OUT NOT TO EXCEED .0075



ELECTRICALLY PER
 SAMPLE S 0623F-1

SCHEMATIC-21

ROT.: - CCWLE-CWSE

NAMEPLATE DATA:

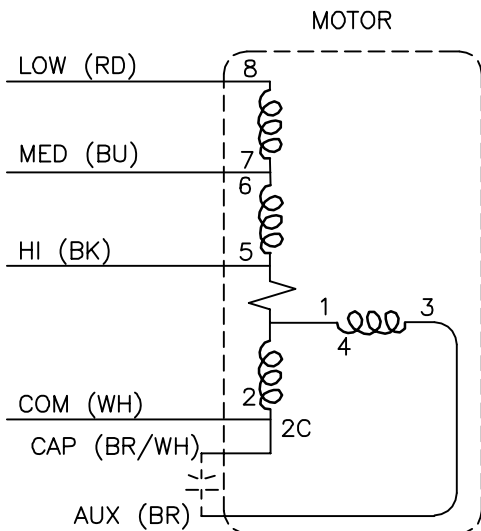


TIPP CITY, OHIO

THERMALLY PROTECTED

SER. DATE & PO# PLT LTR MOD DE2F092N STK NO. 9475
 VOLTS 230 HZ 50/60 AMPS
 RPM1550/1290 SP3 PH1 CAP4MFD 370VAC
 INS CL AMB °C HP CONT AO ←ROT→
 BRG SLV ASSEMBLED IN MEXICO
 BK-HIGH 1.0A 1/6HP
 BU-MED 0.7A 1/8HP
 RD-LOW 0.5A 1/12HP
 WH-COM BR & BR/WH-CAP

CONN LABEL
 63T7432-14



GEOMETRIC CHARACTERISTICS & SYMBOLS
 ▭ FLATNESS
 - STRAIGHTNESS
 < ANGLARITY
 ⊥ PERPENDICULARITY (SQUARENESS)
 // PARALLELISM
 ○ ROUNDNESS (CIRCULARITY)
 ∅ CYLINDRICITY
 △ PROFILE OF ANY SURFACE
 ∩ PROFILE OF ANY LINE
 ↗ RUNOUT
 ⊕ TRUE POSITION
 ⊙ CONCENTRICITY
 = SYMMETRY
 ASME Y14.5M 1994

REGAL-BELOIT CORPORATION (RBC)
 PROVIDES TECHNICAL ASSISTANCE TO
 OUR CUSTOMERS IN SEVERAL AREAS.
 SINCE RBC DOES NOT RECEIVE ALL
 DATA CONCERNING THE USE AND
 APPLICATION OF THE MOTOR, THE
 SUITABILITY OF THE MOTOR FOR THE
 APPLICATION MUST BE DETERMINED BY
 THE CUSTOMER.

DIMENSIONS WITHOUT TOLERANCES ARE
 FOR REFERENCE ONLY.

DR BY: TLB 02-13-2001
 APPD: DRB
 THIRD ANGLE PROJECTION
 EDS DATE 11-11-2011
 FORMAT REV H
 CONFIDENTIAL: THIS DRAWING AND ITS INFORMATION ARE
 THE EXCLUSIVE AND CONFIDENTIAL PROPERTY OF REGAL-
 BELOIT CORPORATION AND ARE NOT TO BE DISCLOSED,
 DUPLICATED, DISTRIBUTED OR OTHERWISE USED WITHOUT
 THE WRITTEN CONSENT OF REGAL-BELOIT CORPORATION.
 -ALL RIGHTS RESERVED.

REGAL REGAL-BELOIT CORPORATION

DESCRIPTION
 MODEL-RFHP-42FR
 OUTLINE

SIZE C DWG NO DE2F7092

SCALE NONE SHEET 1

4

3

2

1

4

3

2

1

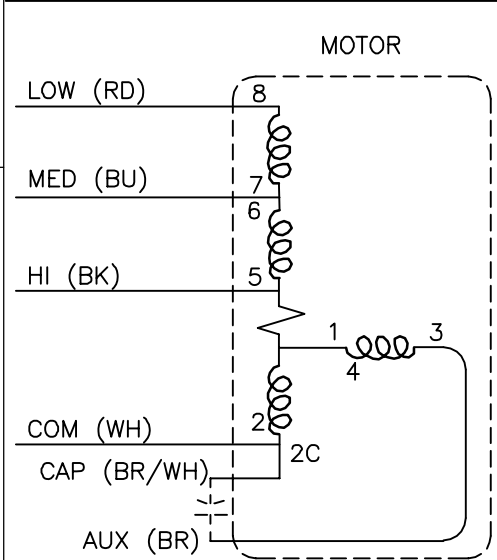
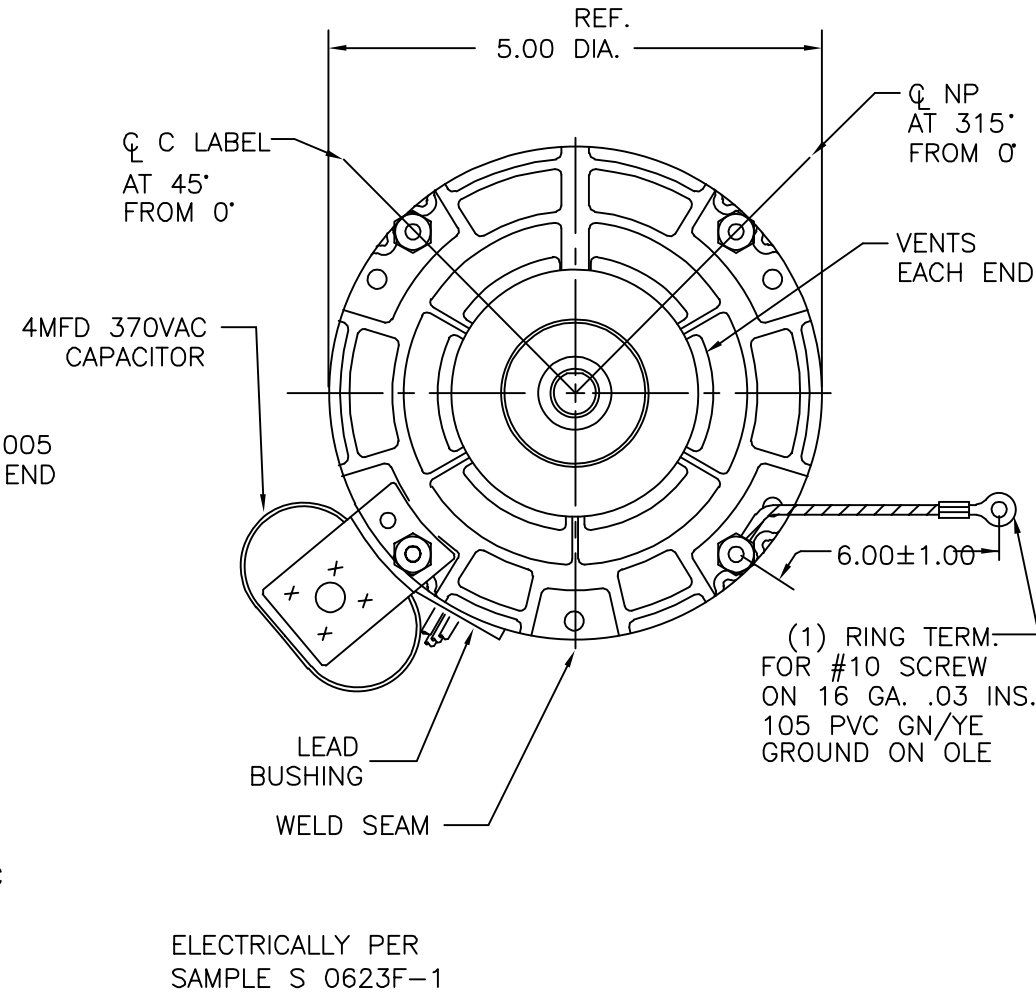
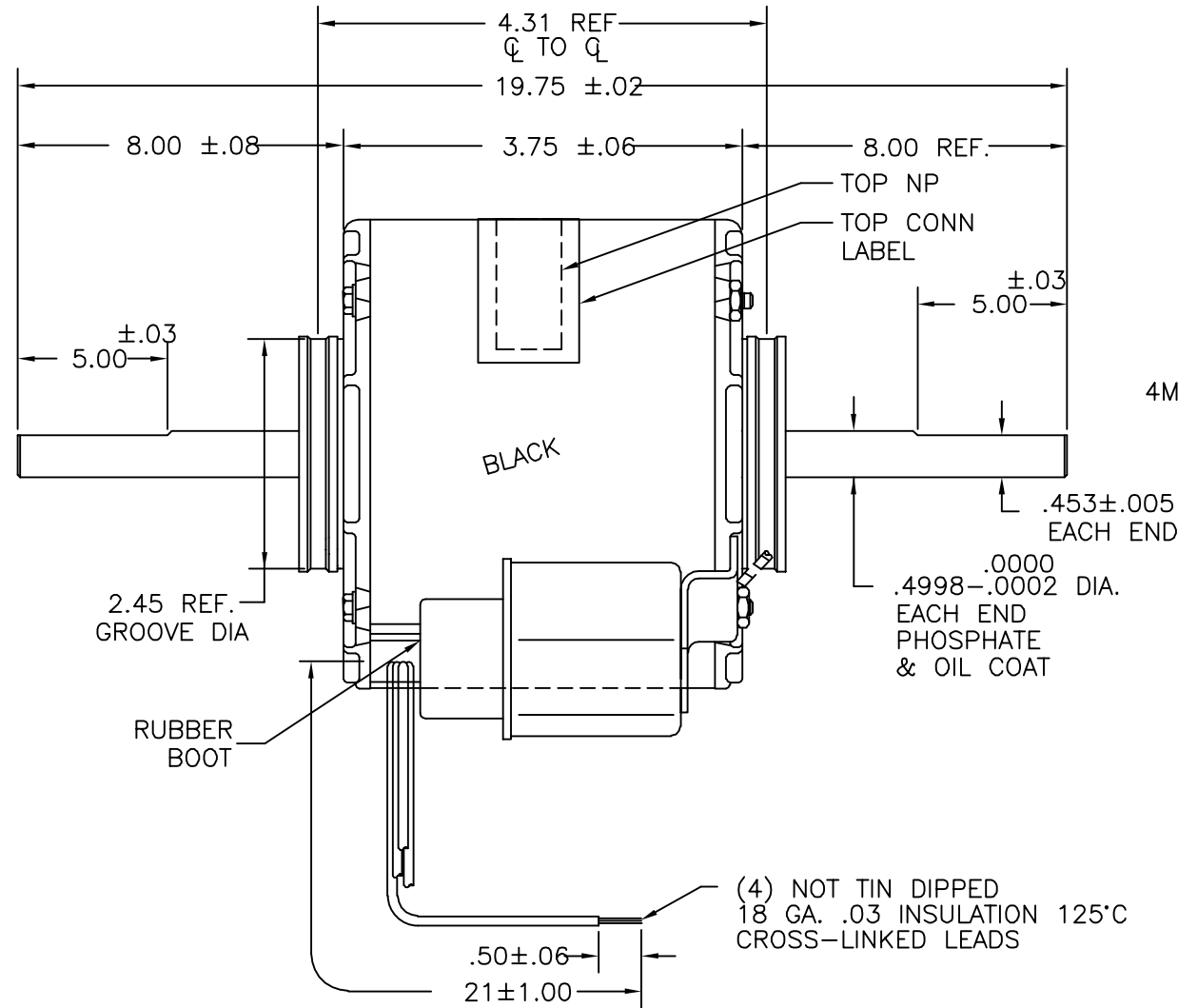
CUSTOMER IS SOLELY RESPONSIBLE FOR MOTOR PERFORMANCE AND SUITABILITY IN APPLICATIONS FOR CUSTOMER'S USES.

DE2F7092N

REV DATE

| | | | | | | | |
|-----------|---------|-------------|---------------|------------|---------------|----------|------------|
| REVISION: | ECO | DESCRIPTION | REVISADO POR: | FECHA: | APROBADO POR: | REV. BY: | APPD |
| F | 0029022 | | A.ARREOLA | 10-17-2012 | R.RASCON | | 10-17-2012 |

ENDPLAY .005 MIN - .040 MAX
 MAXIMUM SHAFT RUN OUT .001 PER INCH
 MAXIMUM RUN OUT NOT TO EXCEED .0075



SCHEMATIC-21

ROT.: - CCWLE-CWSE

NAMEPLATE DATA:



TIPP CITY, OHIO

THERMALLY PROTECTED

SER. DATE & PO# PLT LTR MOD DE2F092N STK NO. 9475
 VOLTS 230 HZ 50/60 AMPS
 RPM1550/1290 SP3 PH1 CAP4MFD 370VAC
 INS CL AMB °C HP CONT AO ← ROT →
 BRG SLV ASSEMBLED IN MEXICO
 BK-HIGH 1.0A 1/6HP
 BU-MED 0.7A 1/8HP
 RD-LOW 0.5A 1/12HP
 WH-COM BR & BR/WH-CAP

CONN LABEL
 63T7432-14

CARACTERISTICAS DE GEOMETRIA Y SIMBOLOS
 □ PLANICIDAD
 - RECTITUD
 < ANGULARIDAD
 ⊥ PERPENDICULARIDAD (A ESCUADRA)
 // PARALELISMO
 ○ REDONDEZ (CIRCULARIDAD)
 ∅ CILINDRICIDAD
 △ PERFIL DE CUALQUIER SUPERFICIE
 ∩ PERFIL DE CUALQUIER LINEA
 / VARIACION
 ⊕ POSICION REAL
 ⊙ CONCENTRICIDAD
 = SIMETRIA
 ASME Y14.5M 1994

REGAL-BELOIT CORPORATION (RBC) PROVEE ASISTENCIA TECNICA A NUESTROS CLIENTES EN VARIAS AREAS. DESDE QUE RBC NO RECIBE TODOS LOS DATOS EN RELACION AL USO Y A LA APLICACION DEL MOTOR, LA APLICACION ADECUADA DEL MOTOR DEBE SER DETERMINADA POR EL CLIENTE.

DIMENSIONES SIN TOLERANCIA SON DE REFERENCIA SOLAMENTE

DIBUJADO POR: TLB 02-13-2001
 APROBADO POR: DRB
 TERCER ANGULO DE PROYECCION
 FECHA EDS: 11-11-2011
 REV. FORMATO: H
 CONFIDENCIAL: ESTE DIBUJO Y SU INFORMACION SON PROPIEDAD DE USO EXCLUSIVO Y CONFIDENCIAL DE REGAL-BELOIT CORPORATION. Y NO DEBERAN SER REVELADOS, DUPLICADOS, DISTRIBUIDOS O USARSE DE OTRA MANERA SIN EL CONSENTIMIENTO ESCRITO DE REGAL-BELOIT CORPORATION. -TODOS LOS DERECHOS RESERVADOS.

REGAL REGAL-BELOIT CORPORATION

DESCRIPCION: MODEL-RFHP-42FR OUTLINE

TAMAÑO: C NUMERO DE DIBUJO: DE2F7092

ESCALA: NONE HOJA: 1

4

3

2

1

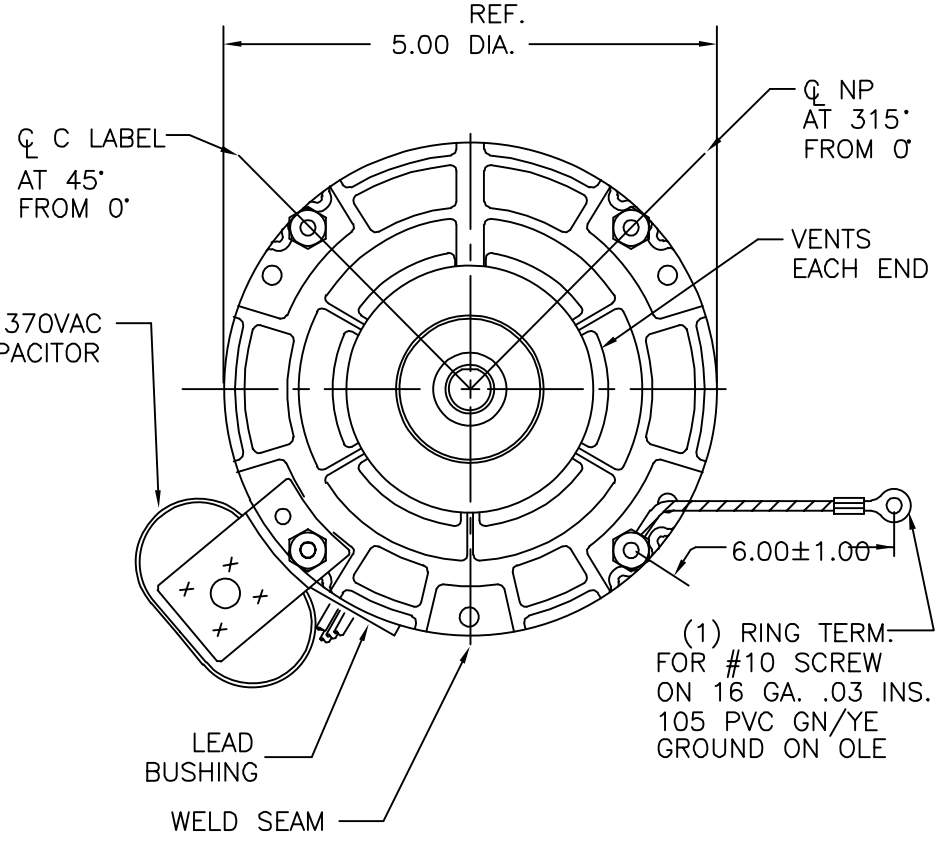
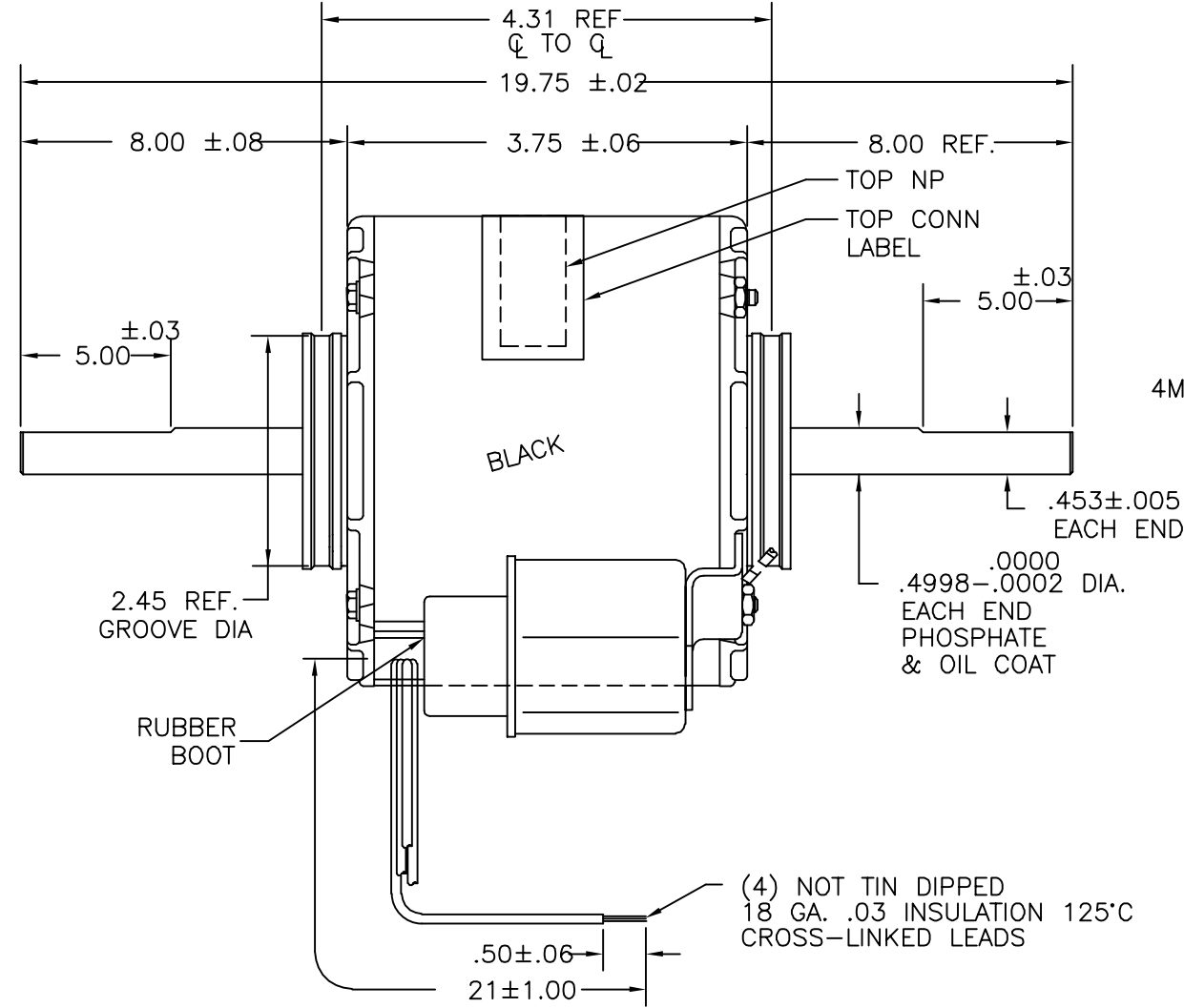
CUSTOMER IS SOLELY RESPONSIBLE FOR MOTOR PERFORMANCE AND SUITABILITY IN APPLICATIONS FOR CUSTOMER'S USES.

DE2F7092N

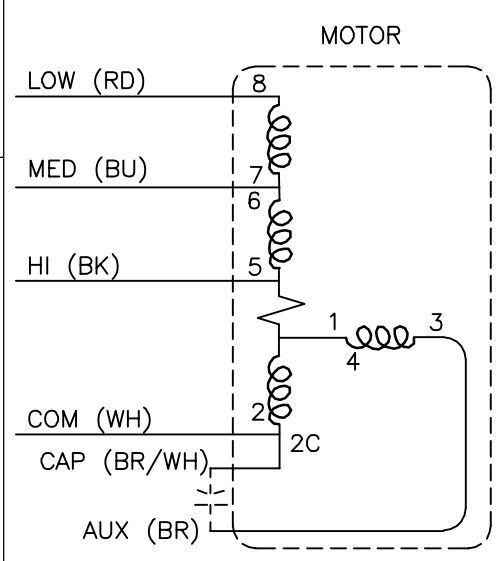
REV DATE

| 版次 | ECO | DESCRIPTION | 编制 | 日期 | 批准 | REV BY | APPD |
|----|---------|-------------|-----------|------------|----------|--------|------------|
| F | 0029022 | | A.ARREOLA | 10-17-2012 | R.RASCON | | 10-17-2012 |

ENDPLAY .005 MIN - .040 MAX
 MAXIMUM SHAFT RUN OUT .001 PER INCH
 MAXIMUM RUN OUT NOT TO EXCEED .0075



ELECTRICALLY PER SAMPLE S 0623F-1



- 形位公差
- 平面度
- 直线度
- ∠ 倾斜度
- ⊥ 垂直度
- // 平行度
- 圆度
- ⊘ 圆柱度
- ⌒ 面轮廓度
- △ 线轮廓度
- ↺ 圆跳动
- ⊕ 位置度
- ⊙ 同轴度
- ≡ 对称度

SCHEMATIC-21

ROT.:— CCWLE-CWSE

NAMEPLATE DATA:

Century THERMALLY PROTECTED
 TIPP CITY, OHIO
 SER. DATE & PO# PLT LTR MOD DE2F092N STK NO. 9475
 VOLTS 230 HZ 50/60 AMPS
 RPM1550/1290 SP3 PH1 CAP 4MFD 370VAC
 INS CL AMB °C HP CONT AO ←ROT→
 BRG SLV ASSEMBLED IN MEXICO
 BK-HIGH 1.0A 1/6HP
 BU-MED 0.7A 1/8HP
 RD-LOW 0.5A 1/12HP
 WH-COM BR & BR/WH-CAP

CONN LABEL
63T7432-14

REGAL-BELOIT CORPORATION (RBC) 在个别领域为客户提供技术支持。鉴于RBC未收到任何涉及电机使用和应用环境的数据，电机的适用性由客户自己决定。

未注公差尺寸仅供参考。

| | | |
|---|-----|---------------------------------|
| 绘图: | TLB | 02-13-2001 |
| 批准: | DRB | |
| 第三角投影 | | 图纸格式发布日期 11-11-2011 图纸格式版本 H |
| 机密: 本图纸及相关信息所有权归REGAL-BELOIT CORPORATION。未经REGAL-BELOIT CORPORATION书面授权, 不得泄露、复制、传播或作其他用途。—版权所有 | | |

REGAL REGAL-BELOIT CORPORATION

MODEL-RFHP-42FR
OUTLINE

| | | |
|----|----------------------------|-------------|
| 名称 | MODEL-RFHP-42FR OUTLINE | |
| 图幅 | C | 图号 DE2F7092 |
| 比例 | NONE | 页号 1 |

ASME Y14.5M 1994