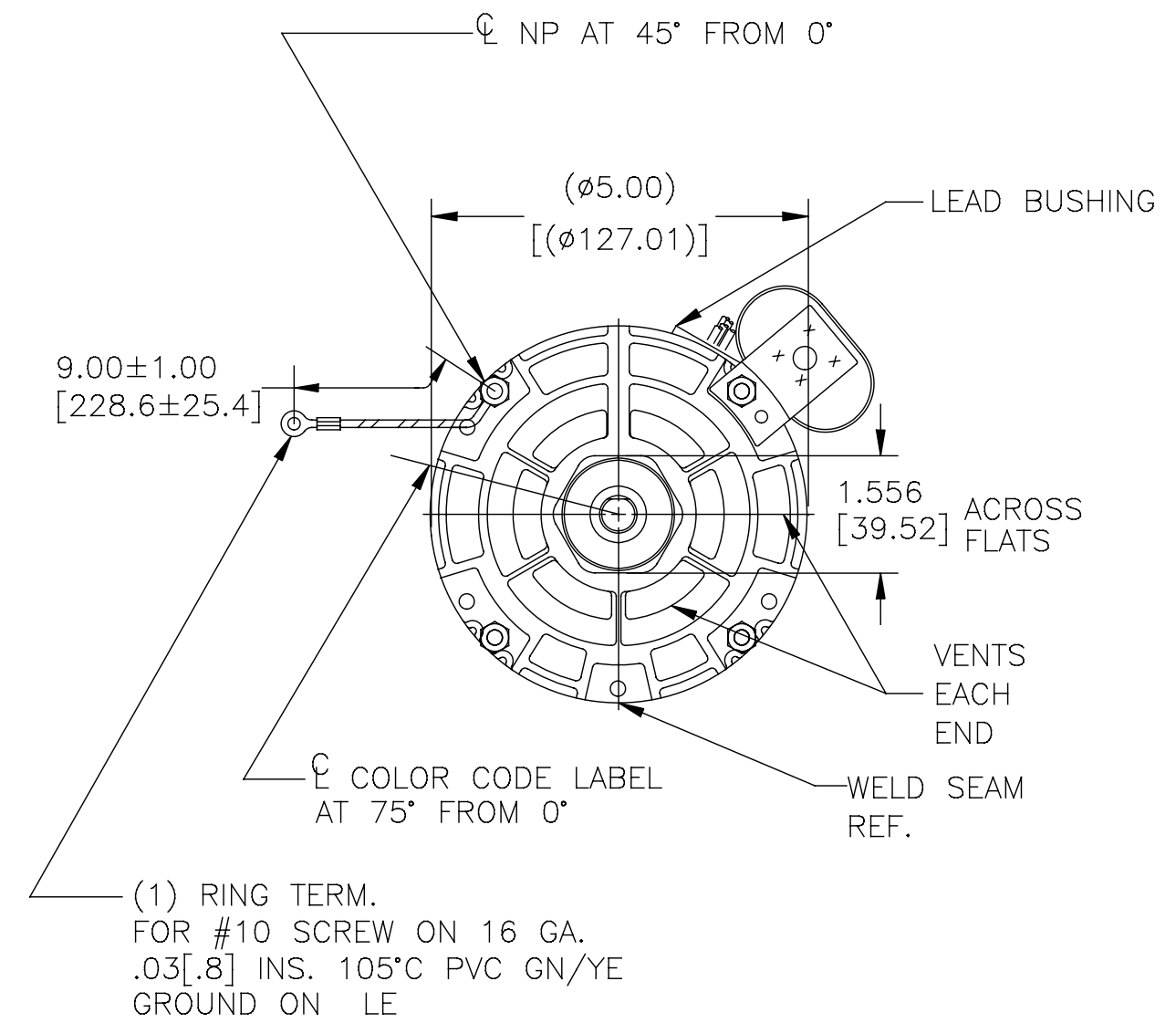
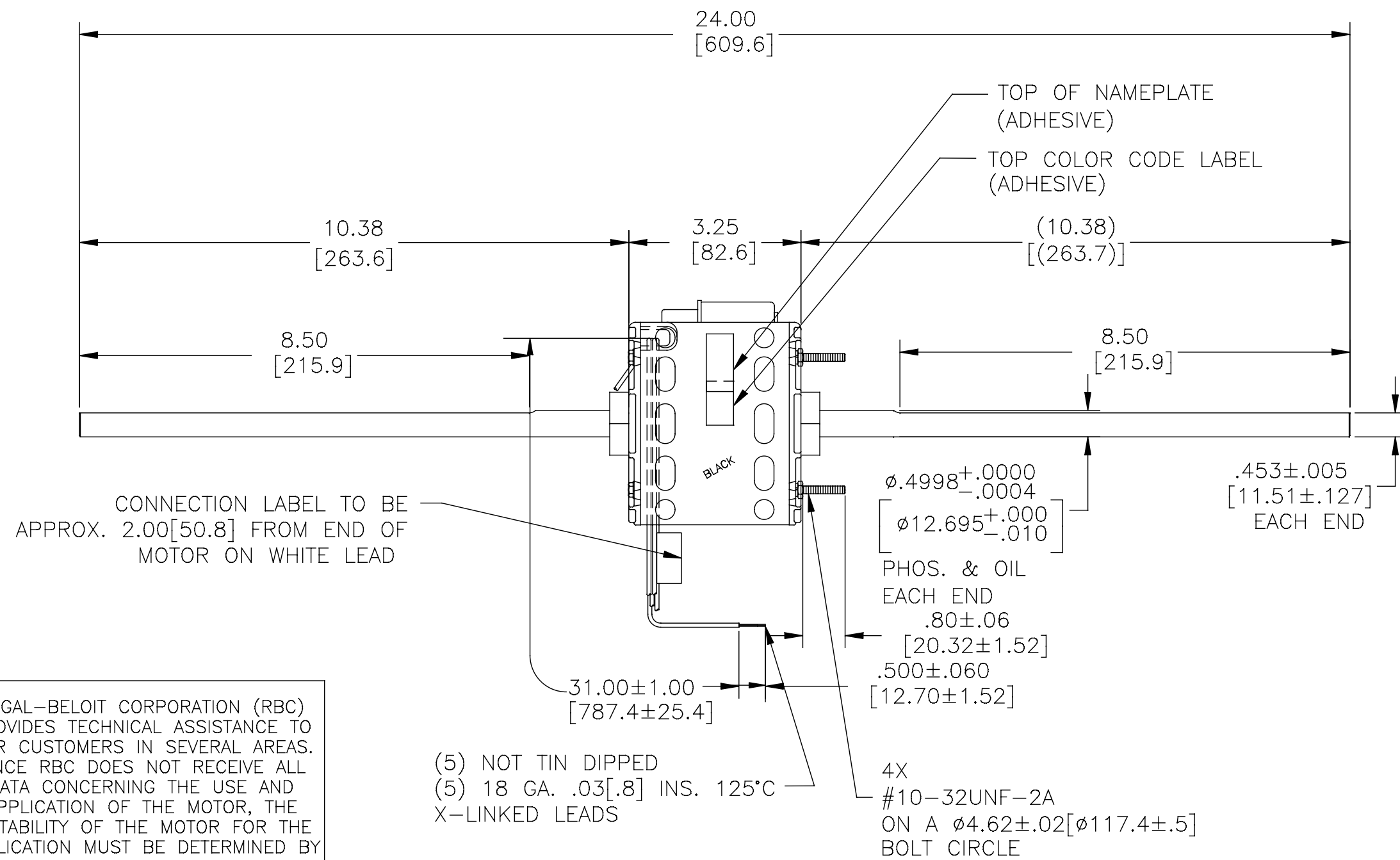


CUSTOMER IS SOLELY RESPONSIBLE FOR MOTOR PERFORMANCE AND SUITABILITY IN APPLICATIONS FOR CUSTOMER'S USES.

END PLAY .005[.13] MIN - .040[1.02] MAX  
 MAX. SHAFT RUN OUT .001[.03] PER INCH  
 MAX. RUN OUT NOT TO EXCEED .0075[.191]

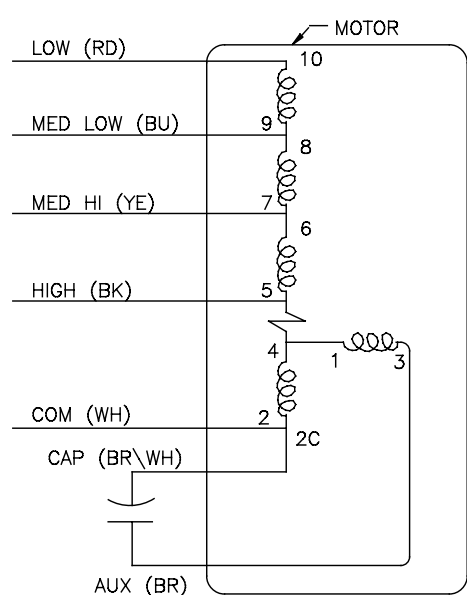


REGAL-BELOIT CORPORATION (RBC) PROVIDES TECHNICAL ASSISTANCE TO OUR CUSTOMERS IN SEVERAL AREAS. SINCE RBC DOES NOT RECEIVE ALL DATA CONCERNING THE USE AND APPLICATION OF THE MOTOR, THE SUITABILITY OF THE MOTOR FOR THE APPLICATION MUST BE DETERMINED BY THE CUSTOMER.

DIMENSIONS WITHOUT TOLERANCES ARE FOR REFERENCE ONLY.

(5) NOT TIN DIPPED  
 (5) 18 GA. .03[.8] INS. 125°C  
 X-LINKED LEADS

ELECTRICALLY PER  
 SAMPLE S-0323F



SCHEMATIC-127

NAMEPLATE DATA: **Century** TIPP CITY, OHIO THERMALLY PROTECTED

SER. DATE & PO# PLT LTR MOD DE2C001N' STK NO. 9408  
 VOLTS 115 HZ 60 AMPS  
 RPM 1550 SP PH CAP5MFD 370VAC  
 INS CLB AMB °C HP ROT. CWLE  
 BRG SLV ASSEMBLED IN MEXICO

COLOR CODE LABEL:  
 63T7452-1  
 BK HI 2.1A 1/8HP  
 YE MED HI 1.6A 1/10HP  
 BU MED LO 1.3A 1/15HP  
 RD LO 0.9A 1/20HP  
 WH COM

CONN LABEL  
 63T7433-209

DRAWING REVISION	REVISION BY	DATE
A	C.ZHOU	07-07-2015
ECO	APPROVED BY	DATE
0077432	C.ZHANG	07-07-2015
ECO DESCRIPTION		
NEW RELEASE		

COPYRIGHT REGAL BELOIT AMERICA, INC. ALL RIGHTS RESERVED. PROPRIETARY AND CONFIDENTIAL INFORMATION - THIS DOCUMENT IS THE PROPERTY OF REGAL BELOIT AMERICA, INC. (OWNERS) AND CONTAINS OWNERS PROPRIETARY INFORMATION. ANY PERSON, CORPORATION OR OTHER FIRM RECEIVING IT IS DEEMED, BY RECEIVING IT, TO AGREE THAT IT, AND/OR ANY PART OF IT, SHALL NOT BE DISCLOSED TO ANY PERSON, CORPORATION OR OTHER ENTITY, DUPLICATED, AND/OR USED, EXCEPT AS EXPRESSLY APPROVED IN WRITING IN ADVANCE BY OWNER. THIS DOCUMENT SHALL BE RETURNED TO OWNER UPON REQUEST. IT MAY BE SUBJECT TO CERTAIN RESTRICTIONS UNDER APPLICABLE EXPORT CONTROL LAWS AND REGULATIONS.

DRAWN BY:  
 C.ZHOU  
 DATE:  
 07-07-2015  
 APPROVED BY:  
 C.ZHANG  
 DATE:  
 07-07-2015  
 REFERENCE

<b>REGAL</b> Regal Beloit America, Inc.	
DESCRIPTION	MODEL-RFHP-42FR OUTLINE
MATERIAL	PROCESS/FINISH
THIRD ANGLE PROJECTION	SIZE DWG NO
C	9408
SHEET	1