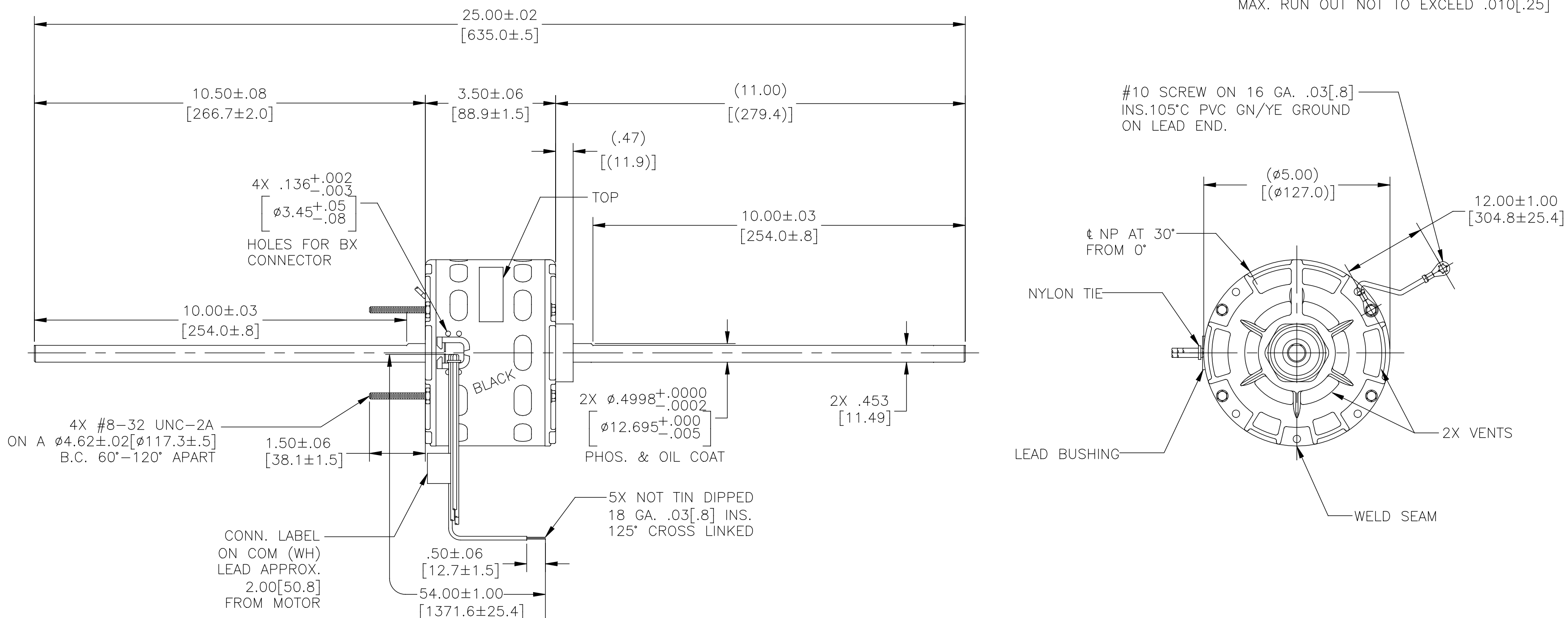


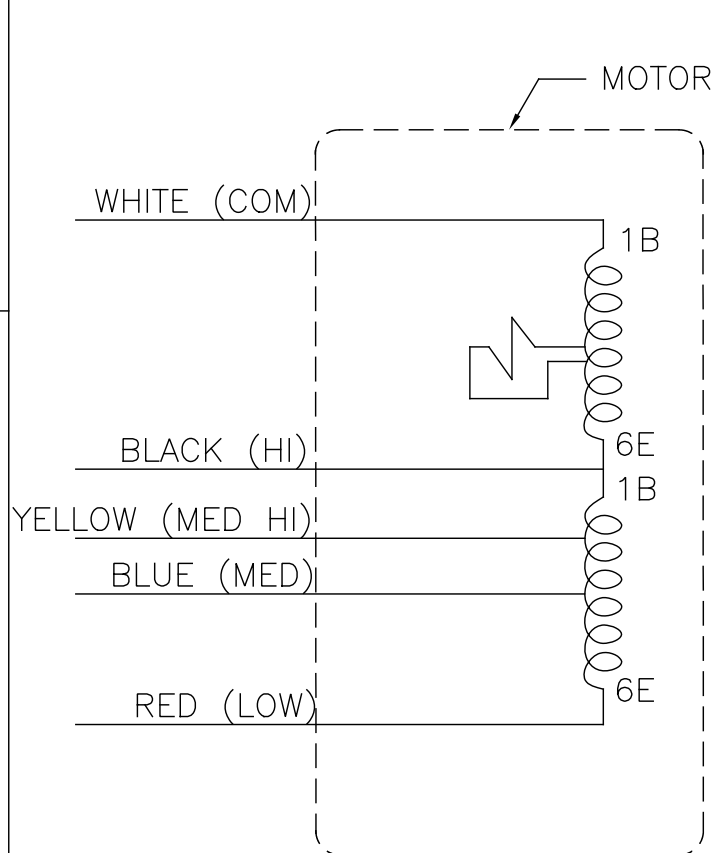
CUSTOMER IS SOLELY RESPONSIBLE FOR MOTOR PERFORMANCE AND SUITABILITY IN APPLICATIONS FOR CUSTOMER'S USES.

END PLAY .005[.13] MIN - .040[1.02] MAX
MAX. SHAFT RUN OUT .001[.03] PER INCH
MAX. RUN OUT NOT TO EXCEED .010[.25]



NOTE:
DISTRIBUTION: CUST. P/N: 389A
GRAINGER: CUST. P/N: 4UU37

ELECTRICALLY PER
SAMPLE S-3798C
PERFORMANCE CURVE NO.
C32364



SCHEMATIC-280

ROT.: - CCWLE
NAMEPLATE DATA:



TIPP CITY, OHIO
THERMALLY PROTECTED



SER. DATE & P# PLT LTR MOD DA3E296N# []
VOLTS 115 HZ 50/60 AMPS
RPM 1050 SP 4 PH 1 CAP
INS CL A AMB40°C HP CONT. A.O. ← ROTATION →
BRG SLV BK-HI 2.4A 1/15HP YE-MED HI 1.6A 1/20HP
BU-MED 1.1A 1/30HP RD-LOW .80A 1/50HP
WH-COM ASSEMBLED IN MEXICO

CONN. LABEL
63T7433-256

DRAWING REVISION G	REVISION BY J. CHAI	DATE 07-28-2016
ECO ECO-0106647	APPROVED BY C. ZHANG	DATE 07-28-2016
ECO DESCRIPTION CHANGE 63T7432-256 TO 63T7433-256		

COPYRIGHT REGAL BELOIT AMERICA, INC. ALL RIGHTS RESERVED.
PROPRIETARY AND CONFIDENTIAL INFORMATION - THIS DOCUMENT IS THE PROPERTY OF
REGAL BELOIT AMERICA, INC. (OWNER) AND CONTAINS OWNER'S PROPRIETARY
INFORMATION. ANY PERSON, CORPORATION OR OTHER FIRM RECEIVING IT IS DEEMED,
BY RECEIVING IT, TO AGREE THAT IT, AND/OR ANY PART OF IT, SHALL NOT BE DISCLOSED
TO ANY PERSON, CORPORATION OR OTHER ENTITY, DUPLICATED, AND/OR USED, EXCEPT
AS EXPRESSLY APPROVED IN WRITING IN ADVANCE BY OWNER. THIS DOCUMENT SHALL
BE RETURNED TO OWNER UPON REQUEST. IT MAY BE SUBJECT TO CERTAIN
RESTRICTIONS UNDER APPLICABLE EXPORT CONTROL LAWS AND REGULATIONS.

DRAWN BY: JRUPER	
DATE: 09-23-2001	
APPROVED BY: JRUPER	
DATE: 09-23-2001	
REFERENCE	

Regal Beloit America, Inc.	
DESCRIPTION MODEL-RFHP-42FR OUTLINE	
MATERIAL	PROCESS/FINISH
SIZE DWG NO C DA3E7296	SHEET 1