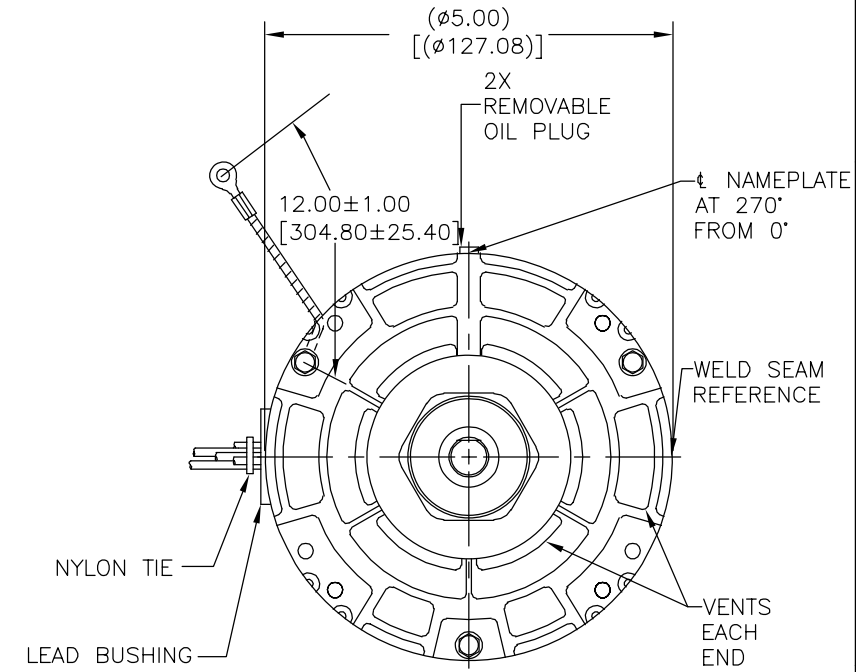
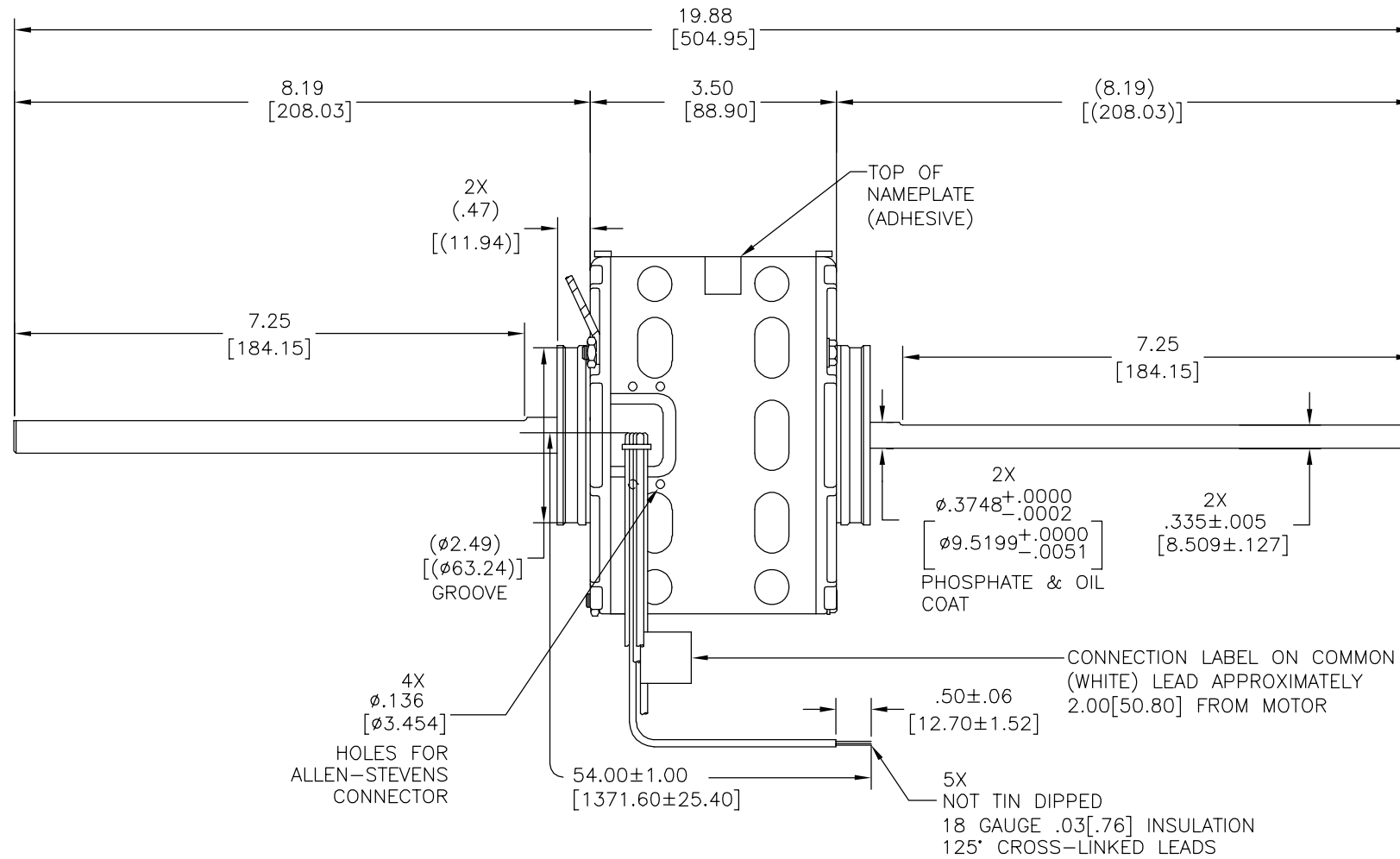
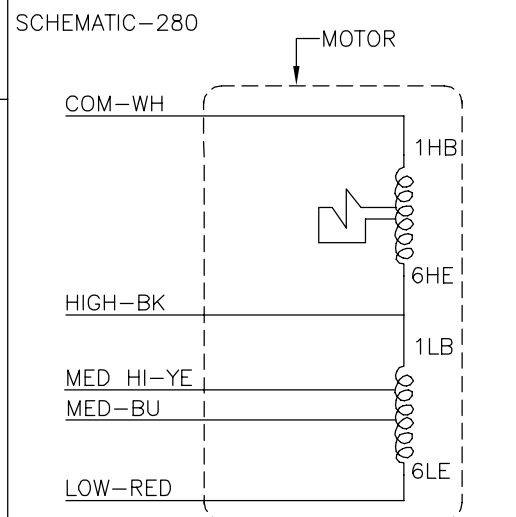


CUSTOMER IS SOLELY RESPONSIBLE FORMOTOR PERFORMANCE AND SUITABILITY INAPPLICATIONS FOR CUSTOMER'S USES.

END PLAY .005[.127] MINIMUM - .040[1.016] MAXIMUM
 MAXIMUM SHAFT RUN OUT .001[.025] PER INCH
 MAXIMUM RUN OUT NOT TO EXCEED .010[.254]



CONNECTION LABEL
63T7433-256



REGAL-BELOIT CORPORATION (RBC) PROVIDES TECHNICAL ASSISTANCE TO OUR CUSTOMERS IN SEVERAL AREAS. SINCE RBC DOES NOT RECEIVE ALL DATA CONCERNING THE USE AND APPLICATION OF THE MOTOR, THE SUITABILITY OF THE MOTOR FOR THE APPLICATION MUST BE DETERMINED BY THE CUSTOMER.

DIMENSIONS WITHOUT TOLERANCES ARE FOR REFERENCE ONLY.

ELECTRICALLY PER SAMPLES S-3798C

DRAWING REVISION	REVISION BY	DATE
C	P.ROJAS	10-09-2014
ECD	APPROVED BY	DATE
ECD-0061690	T.REYES	10-09-2014
ECO DESCRIPTION		
REMOVED CSA & UL LOGOS		
<small>COPYRIGHT REGAL-BELOIT AMERICA, INC. ALL RIGHTS RESERVED. PROPRIETARY AND CONFIDENTIAL INFORMATION - THIS DOCUMENT IS THE PROPERTY OF REGAL-BELOIT AMERICA, INC. (OWNER) AND CONTAINS OWNER'S PROPRIETARY INFORMATION. ANY PERSON, CORPORATION OR OTHER FIRM RECEIVING IT IS DEEMED, BY RECEIVING IT, TO AGREE THAT IT, AND/OR ANY PART OF IT, SHALL NOT BE DISCLOSED TO ANY PERSON, CORPORATION OR OTHER ENTITY, DUPLICATED, AND/OR USED, EXCEPT AS EXPRESSLY APPROVED IN WRITING IN ADVANCE BY OWNER. THIS DOCUMENT SHALL BE RETURNED TO OWNER UPON REQUEST. IT MAY BE SUBJECT TO CERTAIN RESTRICTIONS UNDER APPLICABLE EXPORT CONTROL LAWS AND REGULATIONS.</small>		

ROT: CWLE
 NAMEPLATE DATA:

Century Tipp City, OH
 THERMALLY PROTECTED

SER. DATE & PO# PLT LTR MOD DA3E212K# STK. NO. 393
 VOLTS 115 HZ 50/60 AMPS 2.4
 RPM 1050 SP PH 1 CAP
 INS CL AMB °C HP CONT AO →-ROTATION→
 BRG SLV BK-HI 2.4A 1/15HP YE-MED HI 1.6A 1/20HP
 BU-MED 1.1A 1/30HP ASSEMBLED IN MEXICO
 RD-LOW .80A 1/50HP WH-COM

DRAWN BY: G.ALVIDREZ	Regal Beloit America, Inc.
DATE: 06-18-2011	
APPROVED BY: R.GONZALEZ	DESCRIPTION MODEL-RFHP-42FR OUTLINE
DATE: 06-18-2011	MATERIAL
REFERENCE	PROCESS/FINISH
THIRD ANGLE PROJECTION	SIZE DWG NO C 393
	SHEET 1