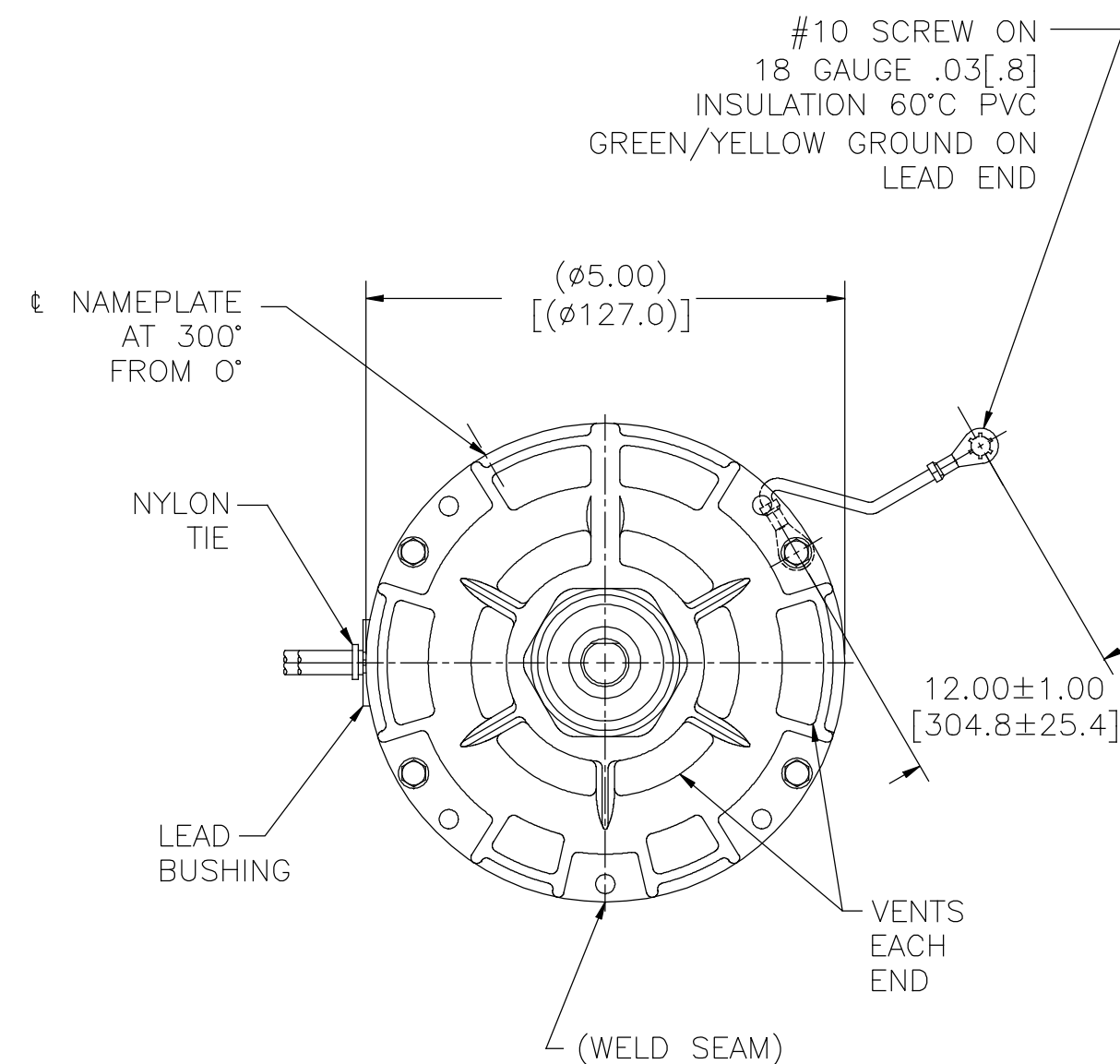
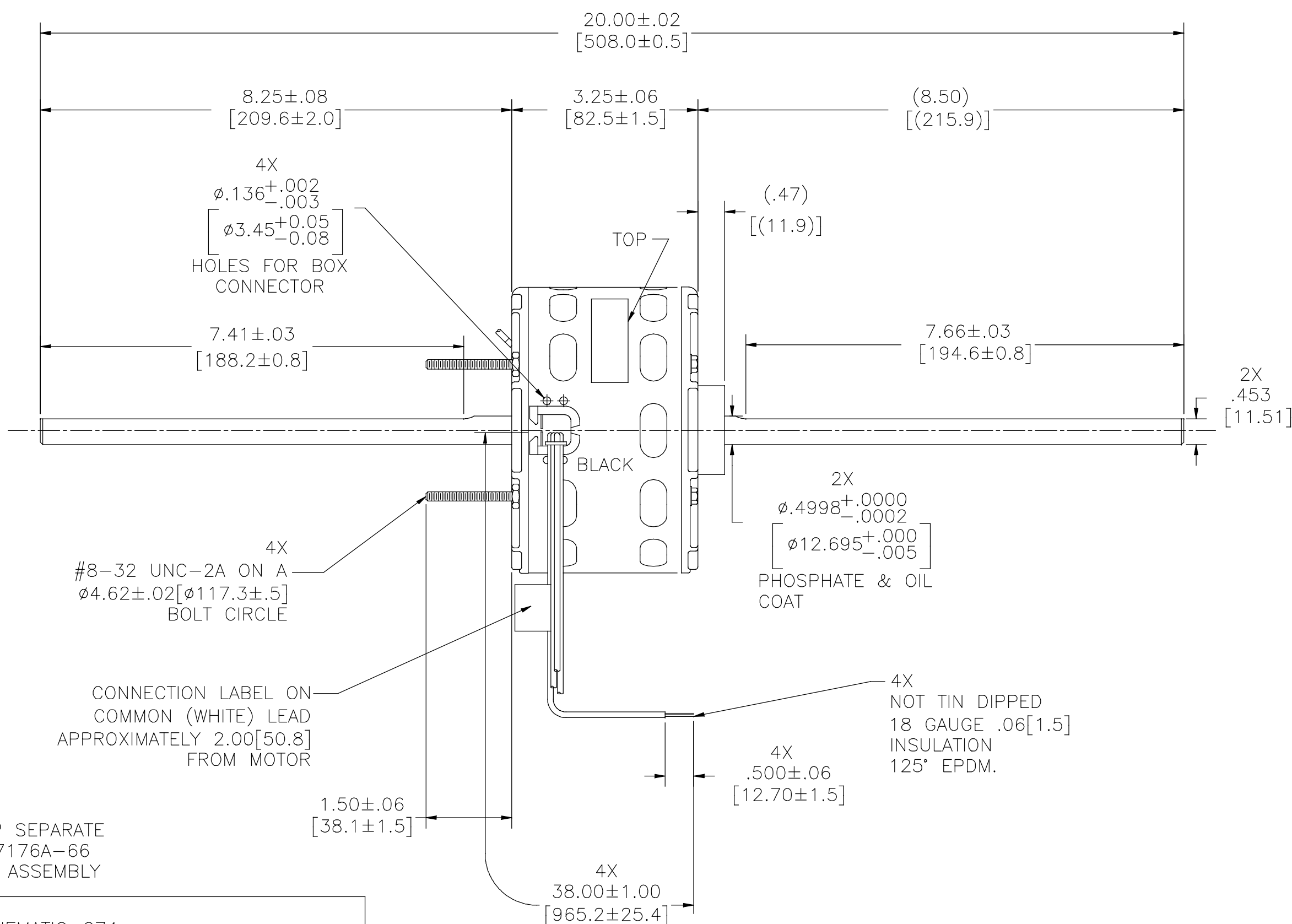


CUSTOMER IS SOLELY RESPONSIBLE FOR MOTOR PERFORMANCE AND SUITABILITY IN APPLICATIONS FOR CUSTOMER'S USES.

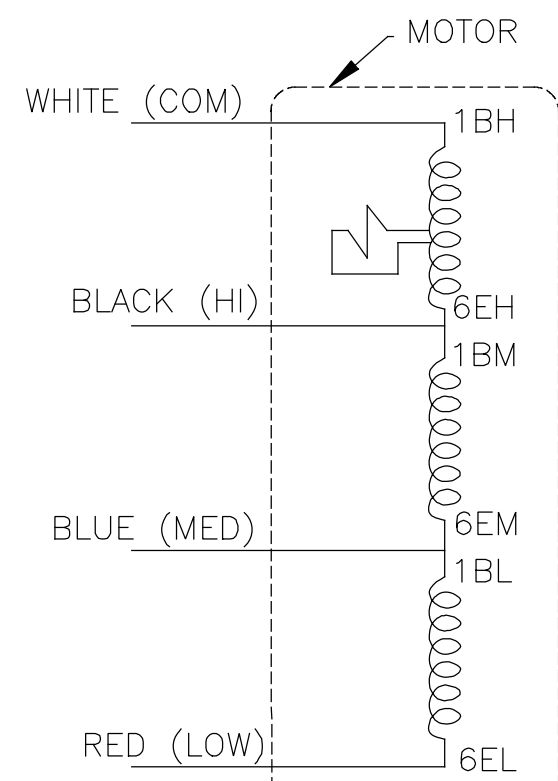
END PLAY .005[.13] MINIMUM - .040[1.02] MAXIMUM
 MAXIMUM SHAFT RUN OUT .001[.03] PER INCH
 MAXIMUM RUN OUT NOT TO EXCEED .010[.25]



SHIP SEPARATE 72T7176A-66 BAG ASSEMBLY

CONNECTION LABEL 63T7433-210

SCHEMATIC-274



REGAL-BELOIT CORPORATION (RBC) PROVIDES TECHNICAL ASSISTANCE TO OUR CUSTOMERS IN SEVERAL AREAS. SINCE RBC DOES NOT RECEIVE ALL DATA CONCERNING THE USE AND APPLICATION OF THE MOTOR, THE SUITABILITY OF THE MOTOR FOR THE APPLICATION MUST BE DETERMINED BY THE CUSTOMER.

DIMENSIONS WITHOUT TOLERANCES ARE FOR REFERENCE ONLY.

ELECTRICALLY PER SAMPLE 0443183C PERFORMANCE CURVE NO. C32338

ROT: CCWLE

NAMEPLATE DATA:



Tipp City, OH THERMALLY PROTECTED



SER. DATE & PO# PLT LTR MOD DA3D221N# 9672
 VOLTS 115 HZ 60 AMPS 4.0
 RPM 1050 SP 3 PH 1 CAP
 INS CL A AMB 40°C HP 1/12 CONT A.O.
 BRG SLV

← ROTATION →
 ASSEMBLED IN MEXICO

DRAWING REVISION	REVISION BY	DATE
D	CADDIE.ZHOU	06-29-2018
ECO	APPROVED BY	DATE
ECO-0147946	DEXIAN.LI	06-29-2018
ECO DESCRIPTION		
@ZONE A1 CHANGE HP FROM 1/2 TO 1/12		

COPYRIGHT REGAL BELOIT AMERICA, INC. ALL RIGHTS RESERVED. PROPRIETARY AND CONFIDENTIAL INFORMATION - THIS DOCUMENT IS THE PROPERTY OF REGAL BELOIT AMERICA, INC. (OWNER) AND CONTAINS OWNER'S PROPRIETARY INFORMATION. ANY PERSON, CORPORATION OR OTHER FIRM RECEIVING IT IS DEEMED, BY RECEIVING IT, TO AGREE THAT IT, AND/OR ANY PART OF IT, SHALL NOT BE DISCLOSED TO ANY PERSON, CORPORATION OR OTHER ENTITY, DUPLICATED, AND/OR USED, EXCEPT AS EXPRESSLY APPROVED IN WRITING IN ADVANCE BY OWNER. THIS DOCUMENT SHALL BE RETURNED TO OWNER UPON REQUEST. IT MAY BE SUBJECT TO CERTAIN RESTRICTIONS UNDER APPLICABLE EXPORT CONTROL LAWS AND REGULATIONS.

DRAWN BY:	V.MIJARES
DATE:	04-08-2009
APPROVED BY:	
DATE:	
PROCESS/FINISH	
THIRD ANGLE PROJECTION	

	Regal Beloit America, Inc.
DESCRIPTION	MODEL-RFHP-42FR OUTLINE
MATERIAL	
SIZE	DWG NO 9672
SHEET	1