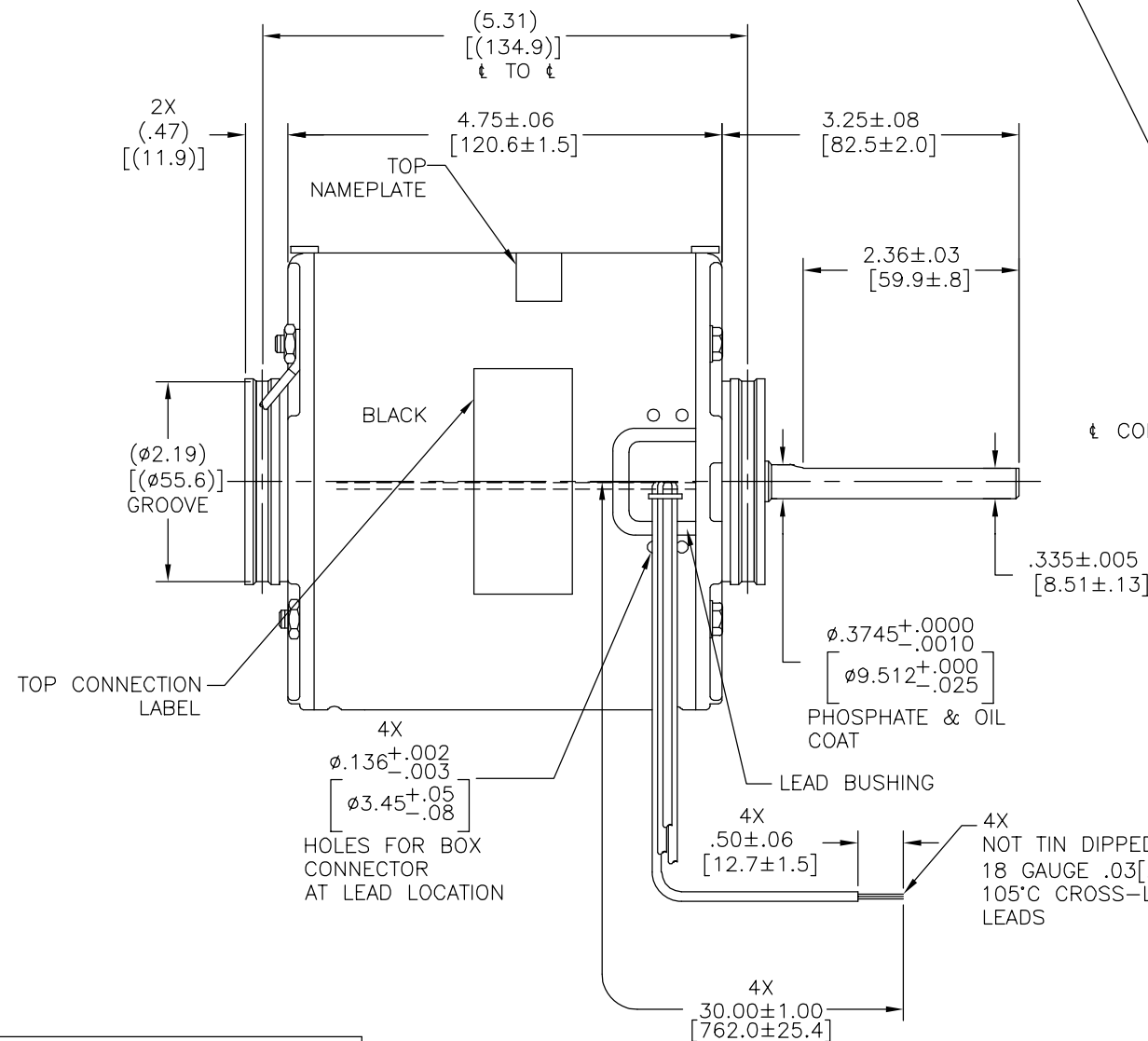


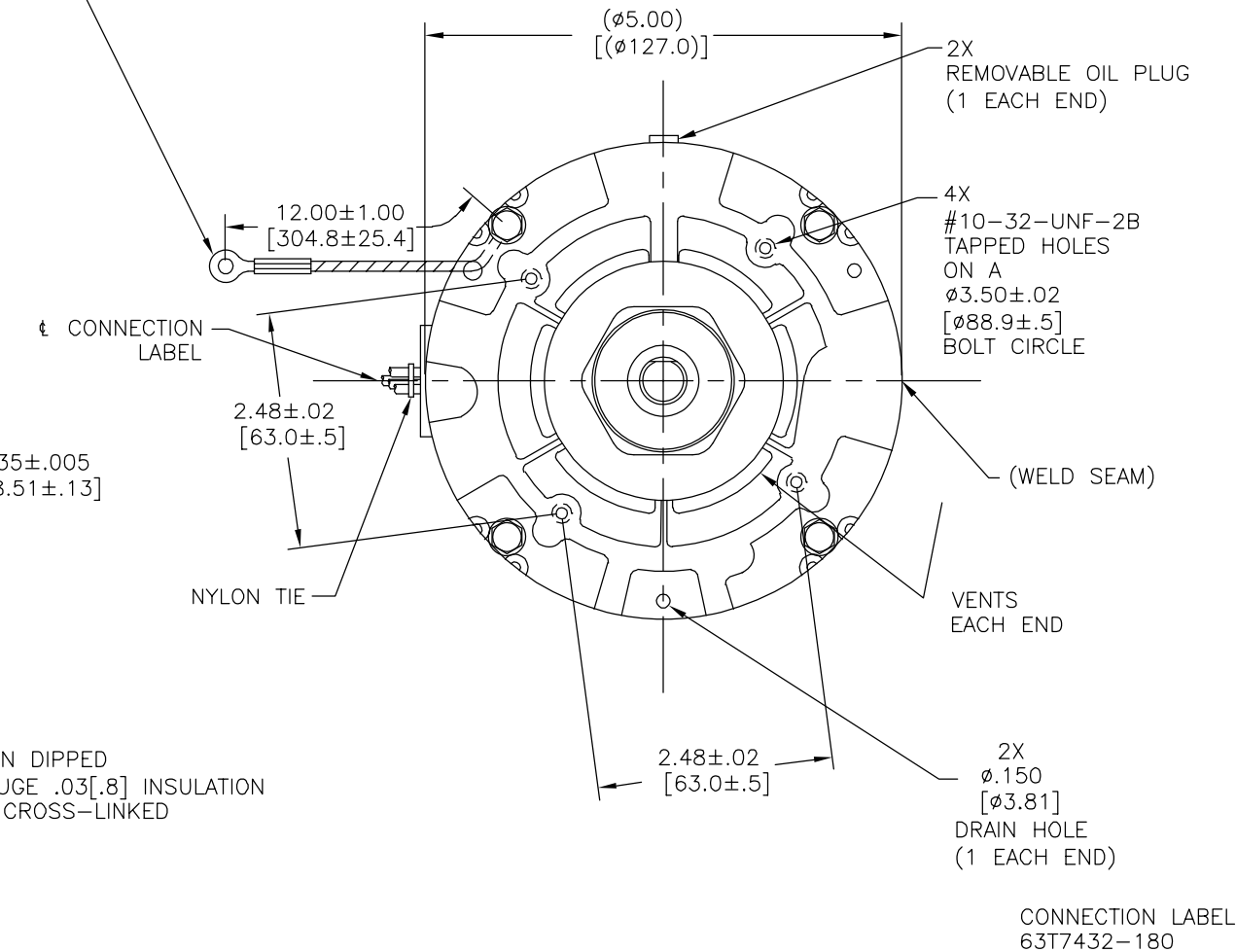
CUSTOMER IS SOLELY RESPONSIBLE FOR MOTOR PERFORMANCE AND SUITABILITY IN APPLICATIONS FOR CUSTOMER'S USES

REV	ECO	REV BY	DATE	APPD	DATE
N	0029000	I.ORTIZ	10-16-2012	M.AVILA	10-16-2012

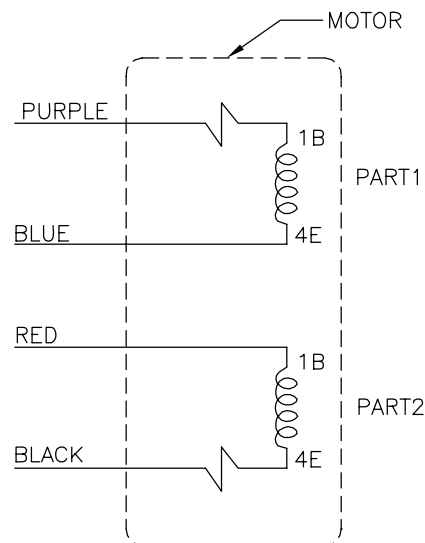
ENDPLAY .005[0.13]MINIMUM-.040[1.02]MAXIMUM
 MAXIMUM SHAFT RUN OUT .001[.03] PER INCH
 MAXIMUM RUN OUT NOT TO EXCEED .0075[.191]



1X RING TERMINAL FOR #10 SCREW ON 16 GAUGE .03 [.8] INSULATION 105°C PVC GREEN/YELLOW GROUND ON OPPOSITE LEAD END



SCHEMATIC-282



COLOR CODE	
115 V	PURPLE & RED TO LINE BLUE & BLACK TO LINE
230 V	PURPLE TO ONE LINE BLACK TO OTHER LINE RED & BLUE TOGETHER & INSULATION

GEOMETRIC CHARACTERISTICS & SYMBOLS
 □ FLATNESS
 - STRAIGHTNESS
 < ANGLARITY
 ⊥ PERPENDICULARITY (SQUARENESS)
 // PARALLELISM
 ○ ROUNDNESS (CIRCULARITY)
 ∅ CYLINDRICITY
 △ PROFILE OF ANY SURFACE
 ∩ PROFILE OF ANY LINE
 ∠ RUNOUT
 ⊕ TRUE POSITION
 ⊙ CONCENTRICITY
 = SYMMETRY

UNLESS OTHERWISE SPECIFIED DIM. TOLERANCES ARE AS FOLLOWS:
 INCH X XX XXX XXXX
 ±.1 ±.02 ±.005 ±.0005
 mm ±0.5 ±0.13 ±0.013
 ANG. ±.50 DEG
 REMOVE BURRS & BREAK SHARP EDGES:
 INCH .003-.015 mm 0.1-0.4
 CORNER FILLETS TO:
 INCH .020 mm 0.5
 MACHINE SURFACES:
 INCH 125 mm 3.2

DR BY: DLC 10-21-1998
 APPD: DRB 10-21-1998
 THIRD ANGLE PROJECTION
 CONFIDENTIAL: THIS DRAWING AND ITS INFORMATION ARE THE EXCLUSIVE AND CONFIDENTIAL PROPERTY OF REGAL-BELOIT CORPORATION AND ARE NOT TO BE DISCLOSED, DUPLICATED, DISTRIBUTED OR OTHERWISE USED WITHOUT THE WRITTEN CONSENT OF REGAL-BELOIT CORPORATION. -ALL RIGHTS RESERVED.

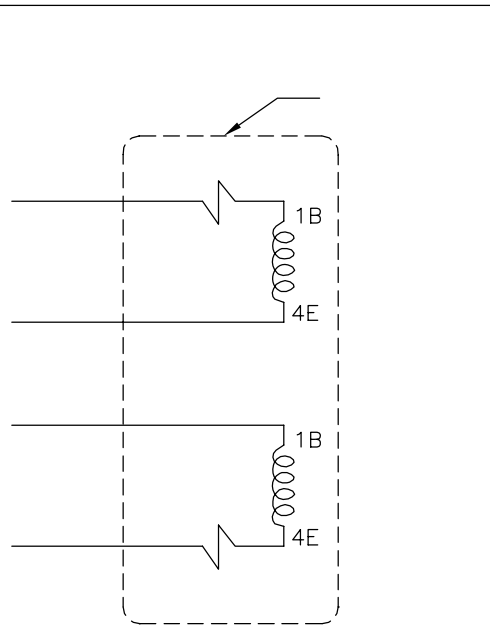
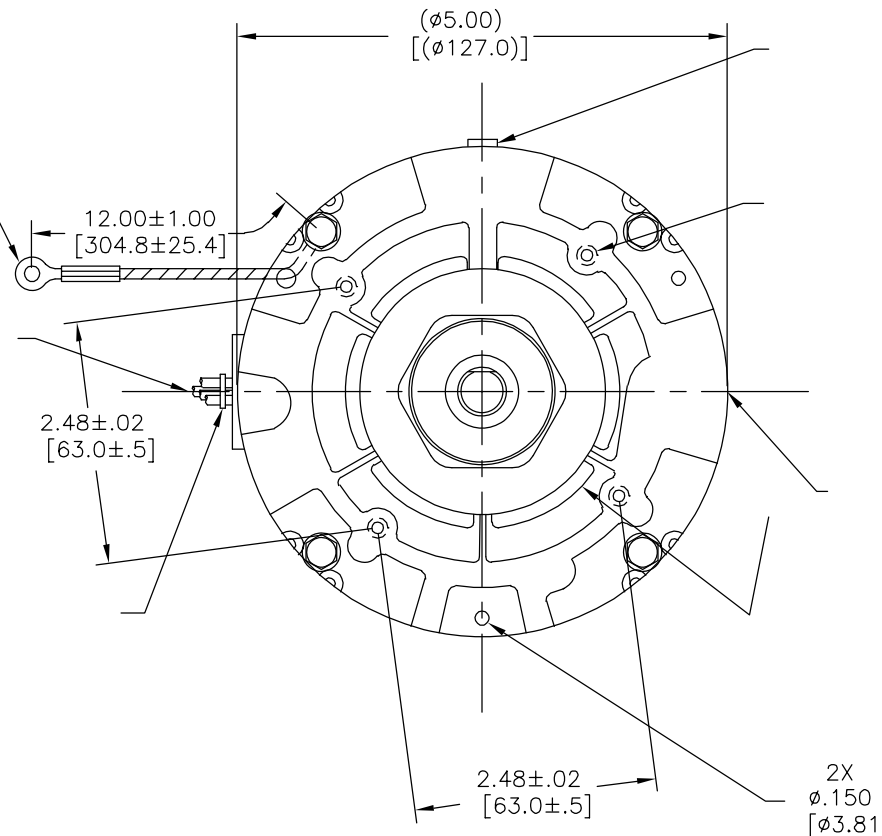
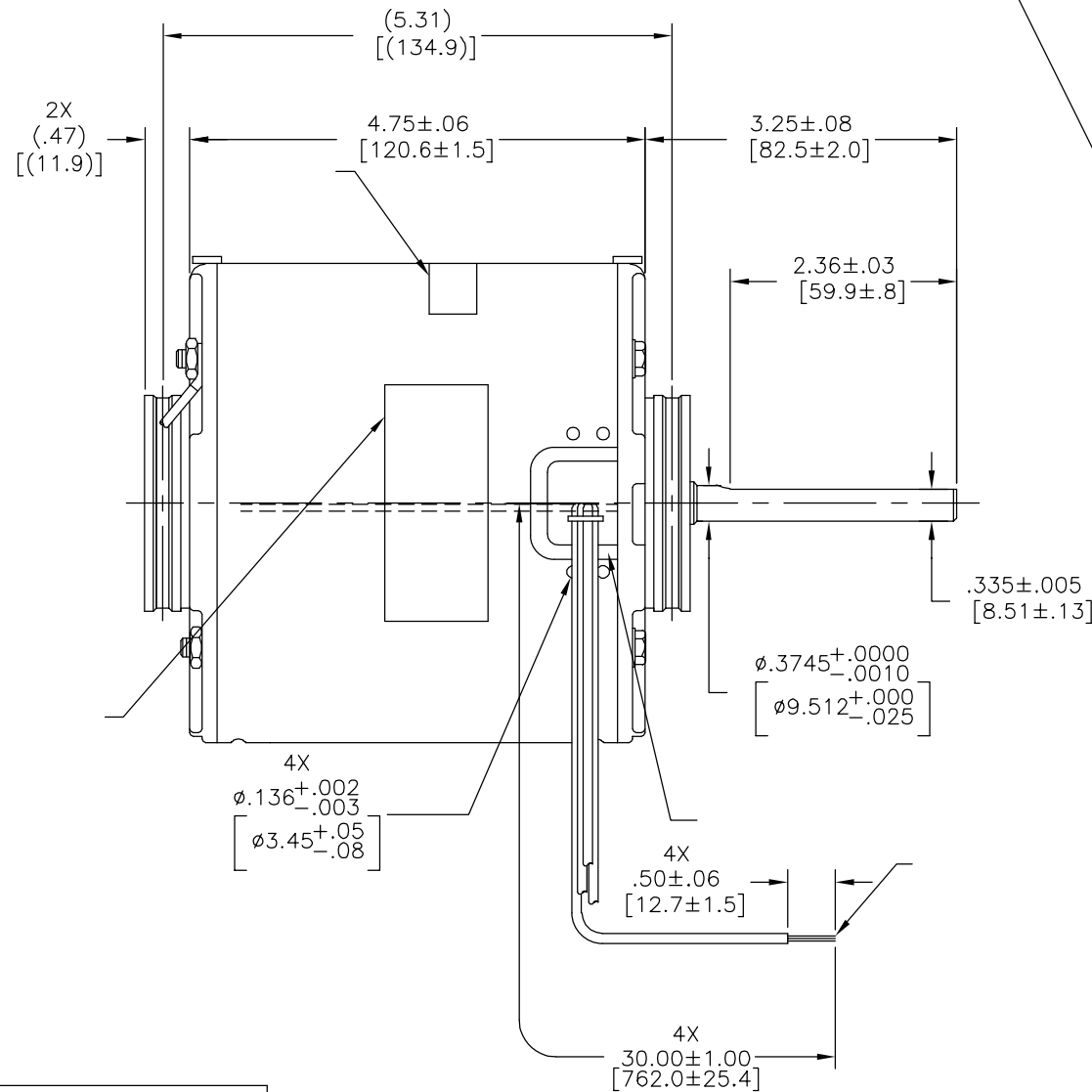
ROT: CCWLE-CCWSE

NAMEPLATE DATA:
 Tipp City, OH
 THERMALLY PROTECTED

SER. DATE & PO# PLT LTR MOD DA2F078N# STK NO 615
 VOLTS 115/230 HZ 60 AMPS 4.4/2.2
 RPM 1550 SP PH1 CAP
 INS CL AMB °C HP 1/10 CONT A.O. ← ROTATION →
 BRG SLV ASSEMBLED IN MEXICO

REGAL-BELOIT CORPORATION	
DESCRIPTION MODEL-RFHP-42FR OUTLINE	
SIZE C	DWG NO DA2F7078
SCALE NONE	SHEET 1

版本	ECO	编制	日期	批准	日期
N	0029000	I.ORTIZ	10-16-2012	M.AVILA	10-16-2012



115 V	
230 V	

形位公差
 □ 平面度
 — 直线度
 < 倾斜度
 ⊥ 垂直度
 // 平行度
 ○ 圆度
 ⊙ 圆柱度
 △ 面轮廓度
 ⊖ 线轮廓度
 ⤴ 圆跳动
 ⊕ 位置度
 ⊗ 同轴度
 ≡ 对称度

除另有注明
 尺寸公差如下:
 英寸 X XX XXX XXXX
 毫米 ±.1 ±.02 ±.005 ±.0005
 毫米 ±0.5 ±0.13 ±0.013
 角度 ±.50 度
 清理毛刺和尖棱
 英寸 .003-.015 毫米 0.1-0.4
 内圆角
 英寸 .020 毫米 0.5
 表面粗糙度
 英制 125 米制 3.2
 米制尺寸显示在 []

ASME Y14.5M 1994

ROT: CCWLE-CCWSE

Century Tipp City, OH
 THERMALLY PROTECTED

SER. DATE & PO# PLT LTR MOD DA2F078N# STK NO 615
 VOLTS 115/230 HZ 60 AMPS 4.4/2.2
 RPM 1550 SP PH1 CAP
 INS CL AMB °C HP 1/10 CONT A.O. ← ROTATION →
 BRG SLV ASSEMBLED IN MEXICO

绘图: DLC 10-21-1998
 批准: DRB 10-21-1998
 第三角投影
 图纸格式发布日期 11-11-2011
 图纸格式版本 H
 机密: 本图纸及相关信息所有权归REGAL-BELOIT CORPORATION
 未经REGAL-BELOIT CORPORATION书面授权, 不得泄露、
 复制、传播或作其他用途。—版权所有

REGAL REGAL-BELOIT CORPORATION

名称: MODEL-RFHP-42FR
 OUTLINE
 图幅: C 图号: DA2F7078
 比例: NONE 页号: 1

D
C
B
A

D
C
B
A

4
4
4

3
3
3

2
2
2

1
1
1