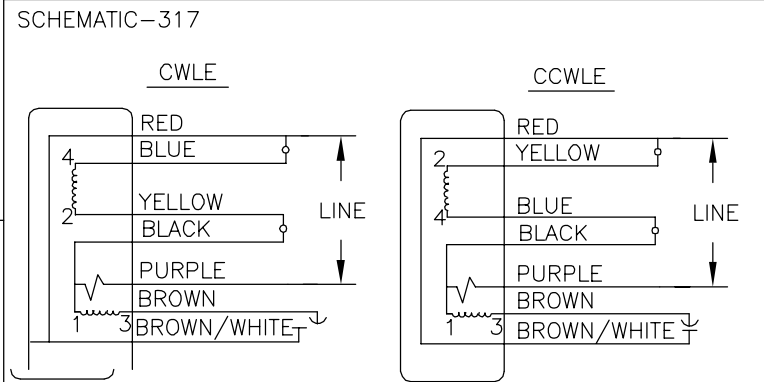
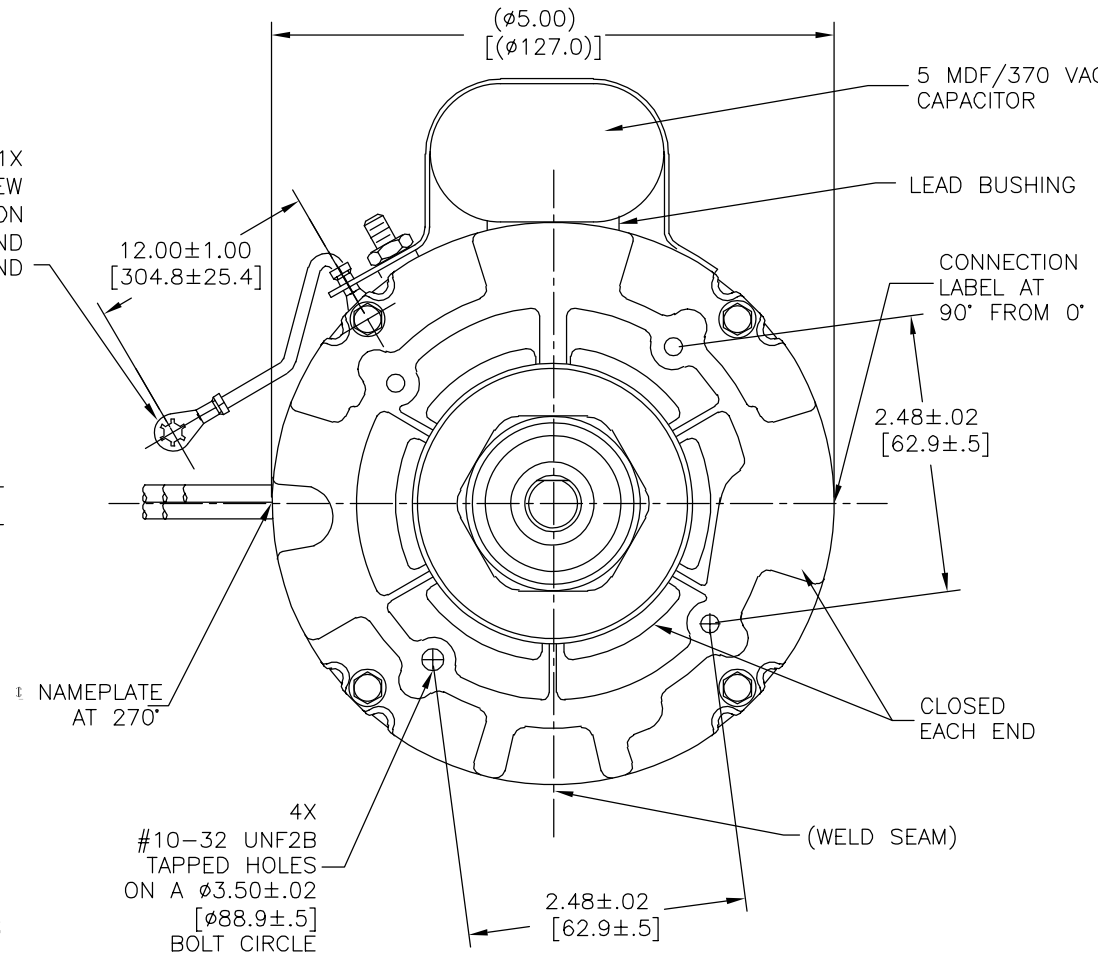
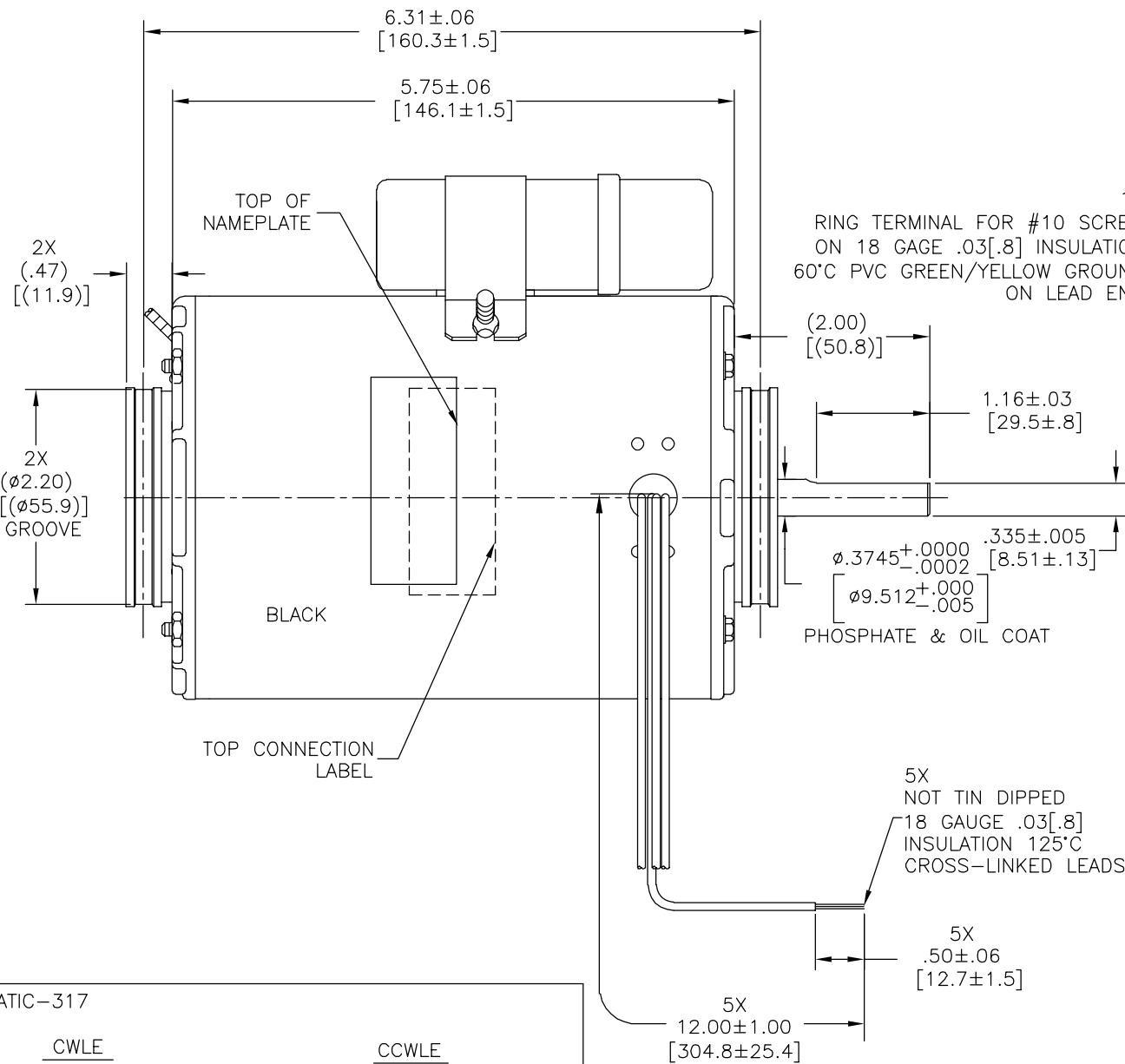


CUSTOMER IS SOLELY RESPONSIBLE FOR MOTOR PERFORMANCE AND SUITABILITY IN APPLICATIONS FOR CUSTOMER'S USES.

| REV | ECO | REV BY | DATE | APPD | DATE |
|-----|---------|-----------|------------|------------|------------|
| C | 0029021 | E.SINECIO | 10-18-2012 | G.ALVIDREZ | 10-18-2012 |

ENDPLAY .005[.13] MINIMUM - .040[1.02] MAXIMUM
 MAXIMUM SHAFT RUNOUT .001[.03] PER INCH
 MAXIMUM RUN OUT NOT TO EXCEED .010[.25]



ROT: REVERSIBLE

NAMEPLATE DATA:

Tipp City, OH
THERMALLY PROTECTED

SER. DATE & PO# PLT LTR MOD DE3F116' 9667

VOLTS 115 HZ50/60 AMPS1.8
 RPM 1050 SP1 PH1 CAP 5MFD/370 VAC
 INS CL B AMB40°C HP1/12 AIR OVER
 BRG SLV

← ROTATION →

ASSEMBLED IN MEXICO

CONNECTION LABEL
63T7432-303

| | |
|-------|--|
| CCWLE | CONNECT YELLOW TO RED AND CONNECT BLACK TO BLUE LEAD |
| CWLE | CONNECT BLUE TO RED AND CONNECT BLACK TO YELLOW LEAD |

GEOMETRIC CHARACTERISTICS & SYMBOLS

- FLATNESS
- STRAIGHTNESS
- ∠ ANGULARITY
- ⊥ PERPENDICULARITY (SQUARENESS)
- // PARALLELISM
- ROUNDNESS (CIRCULARITY)
- ⊘ CYLINDRICITY
- △ PROFILE OF ANY SURFACE
- ∩ PROFILE OF ANY LINE
- ∩ RUNOUT
- ⊕ TRUE POSITION
- ◎ CONCENTRICITY
- ≡ SYMMETRY

ASME Y14.5M 1994

UNLESS OTHERWISE SPECIFIED DIM. TOLERANCES ARE AS FOLLOWS:

| | | | | |
|------|------|-------|--------|--------|
| INCH | ±.1 | ±.02 | ±.005 | ±.0005 |
| mm | ±0.5 | ±0.13 | ±0.013 | |

ANG. ±.50 DEG
 REMOVE BURRS & BREAK SHARP EDGES:
 INCH .003-.015 mm 0.1-0.4
 CORNER FILLETS TO:
 INCH .020 mm 0.5
 MACHINE SURFACES:
 INCH 125 mm 3.2

METRIC DIMS. SHOWN IN [BRACKETS]

DR BY:

APPD:

THIRD ANGLE PROJECTION

EDS DATE 11-11-2011
 FORMAT REV H

CONFIDENTIAL: THIS DRAWING AND ITS INFORMATION ARE THE EXCLUSIVE AND CONFIDENTIAL PROPERTY OF REGAL-BELOIT CORPORATION AND ARE NOT TO BE DISCLOSED, DUPLICATED, DISTRIBUTED OR OTHERWISE USED WITHOUT THE WRITTEN CONSENT OF REGAL-BELOIT CORPORATION. -ALL RIGHTS RESERVED.

REGAL-BELOIT CORPORATION

DESCRIPTION
MODEL-RFHP-42FR
OUTLINE

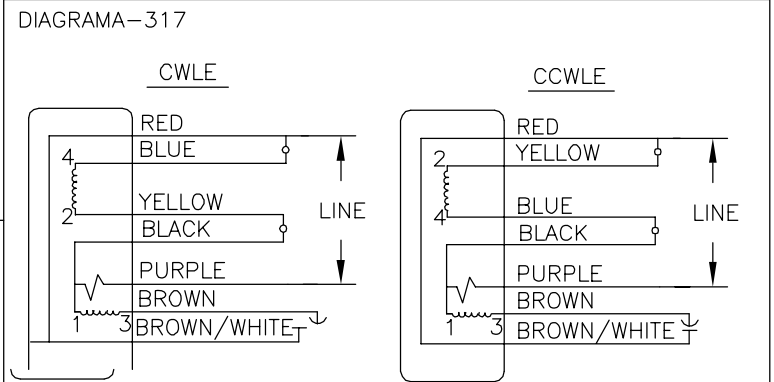
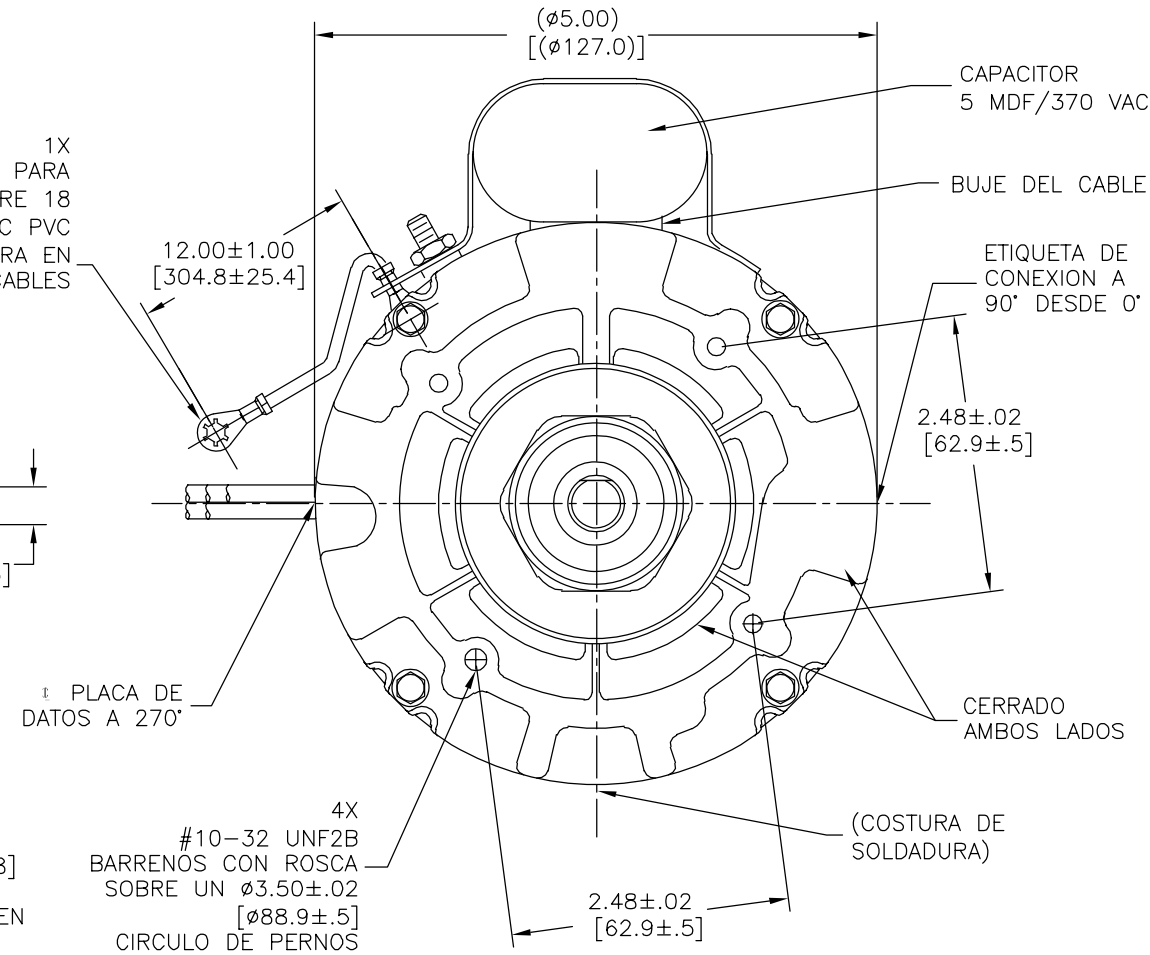
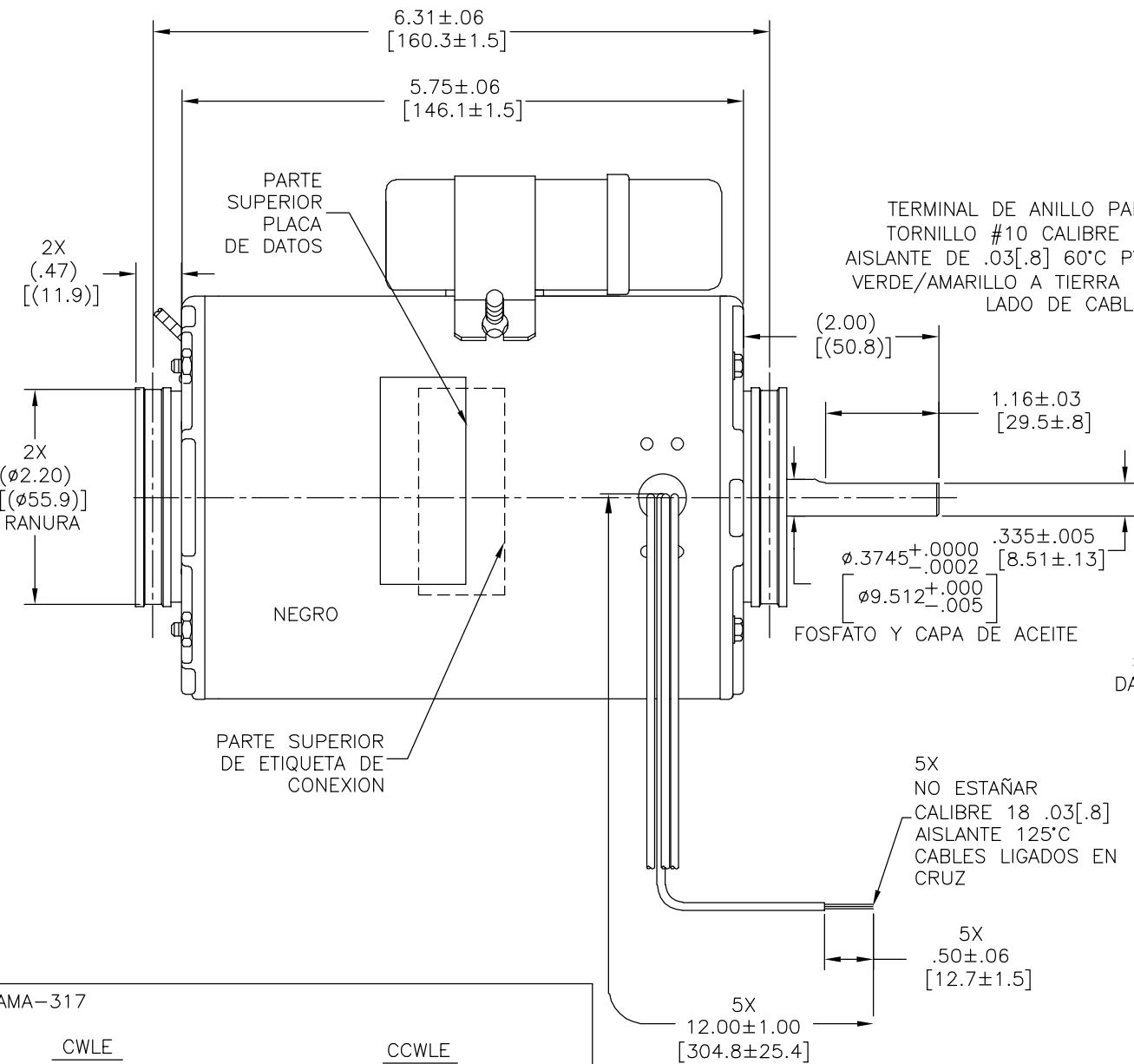
SIZE C DWG NO DE3F7116

SCALE NONE SHEET 1

EL CLIENTE ES SOLO RESPONSABLE DEL RENDIMIENTO DEL MOTOR Y APLICACIONES CONVENIENTES PARA LOS USOS DEL CLIENTE

| | | | | | |
|-----------|---------|---------------|------------|---------------|------------|
| REVISION: | ECO | REVISADO POR: | FECHA: | APROBADO POR: | FECHA: |
| C | 0029021 | E.SINECIO | 10-18-2012 | G.ALVIDREZ | 10-18-2012 |

JUEGO AXIAL .005[.13]MINIMO - .040[1.02]MAXIMO
 MAXIMA OSCILACION DE FLECHA .001[.03] POR PULGADA
 MAXIMA OSCILACION NO DEBE EXCEDER .010[.25]



ROT: REVERSIBLE

PLACA DE DATOS:

Tipp City, OH
 THERMALLY PROTECTED

SER. DATE & PO# PLT LTR MOD DE3F116' 9667
 VOLTS 115 HZ50/60 AMPS1.8
 RPM 1050 SP1 PH1 CAP 5MFD/370 VAC
 INS CL B AMB40°C HP1/12 AIR OVER
 BRG SLV

← ROTATION →
 ASSEMBLED IN MEXICO

ETIQUETA DE CONEXION 63T7432-303

| | |
|-------|---|
| CCWLE | CONECTAR CABLE AMARILLO A ROJO Y CABLE NEGRO A CABLE AZUL |
| CWLE | CONECTAR CABLE AZUL A CABLE ROJO Y CABLE NEGRO A CABLE AMARILLO |

CARACTERISTICAS DE GEOMETRIA Y SIMBOLOS

- PLANICIDAD
- RECTITUD
- ∠ ANGULARIDAD
- ⊥ PERPENDICULARIDAD (A ESQUADRA)
- // PARALELISMO
- REDONDEZ (CIRCULARIDAD)
- ∅ CILINDRICIDAD
- △ PERFIL DE CUALQUIER SUPERFICIE
- ∧ PERFIL DE CUALQUIER LINEA
- ∩ VARIACION
- ⊕ POSICION REAL
- ◎ CONCENTRICIDAD
- = SIMETRIA

ASME Y14.5M 1994

A MENOS QUE SE ESPECIFIQUE DE OTRA MANERA, LAS TOLERANCIAS DE LAS DIMS; SON LAS SIGUIENTES:

| | | | | |
|------|------|-------|--------|--------|
| PULG | ±.1 | ±.02 | ±.005 | ±.0005 |
| mm | ±0.5 | ±0.13 | ±0.013 | |

ANG. ±50 GRADOS
 ELIMINAR REBABAS Y ORILLAS FILOSAS DEL BORDE.
 PULG .003-.015 mm 0.1-0.4
 FILETEAR ESQUINA: PULG .020 mm 0.5
 MAQUINAR SUPERFICIES
 PULG 125 mm 3.2

DIMS METRICAS MOSTRADAS [PARENTESIS]

DIBUJADO POR:

APROBADO POR:

TERCER ANGULO DE PROYECCION

FECHA EDS: 11-11-2011
 REV. FORMATO: H

CONFIDENCIAL: ESTE DIBUJO Y SU INFORMACION SON PROPIEDAD DE USO EXCLUSIVO Y CONFIDENCIAL DE REGAL-BELOIT CORPORATION. Y NO DEBERAN SER REVELADOS, DUPLICADOS, DISTRIBUIDOS O USARSE DE OTRA MANERA SIN EL CONSENTIMIENTO ESCRITO DE REGAL-BELOIT CORPORATION. -TODOS LOS DERECHOS RESERVADOS.

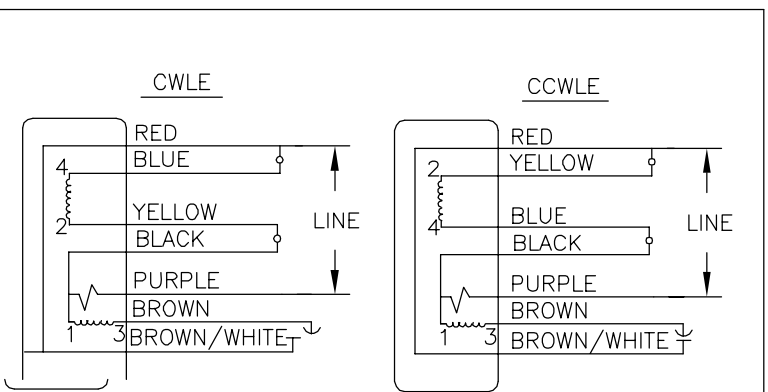
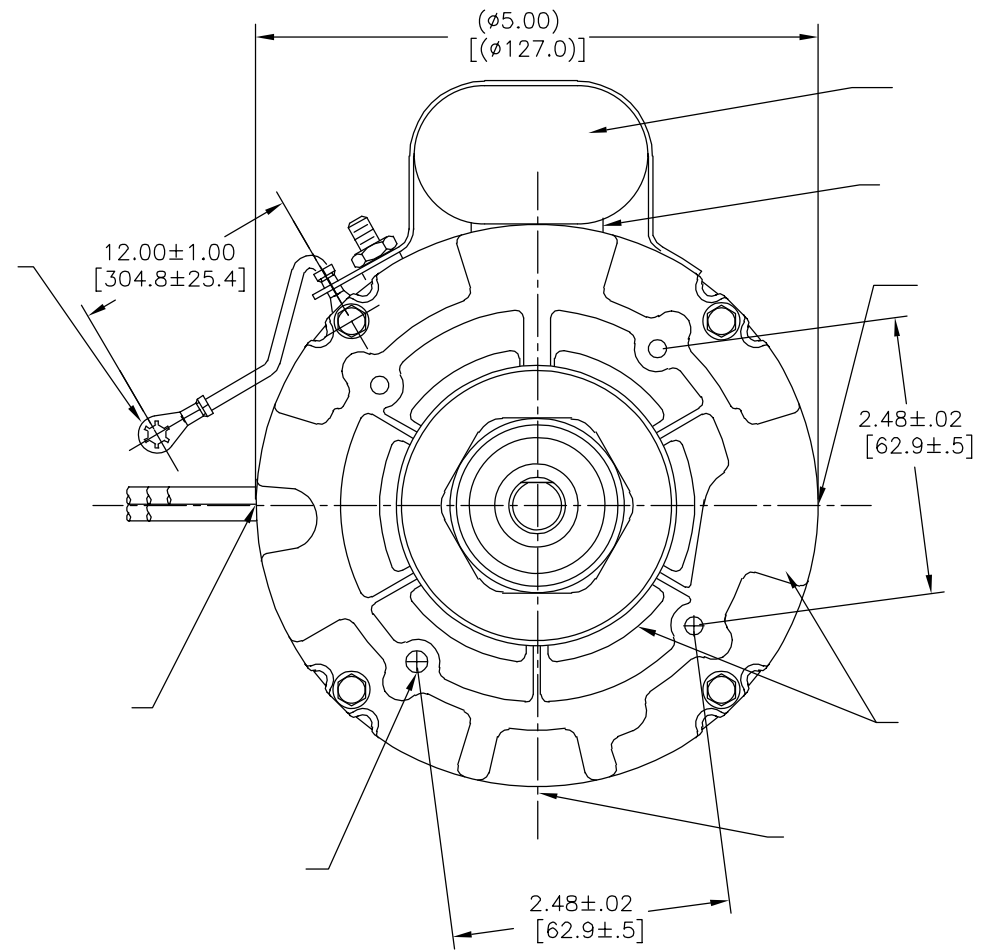
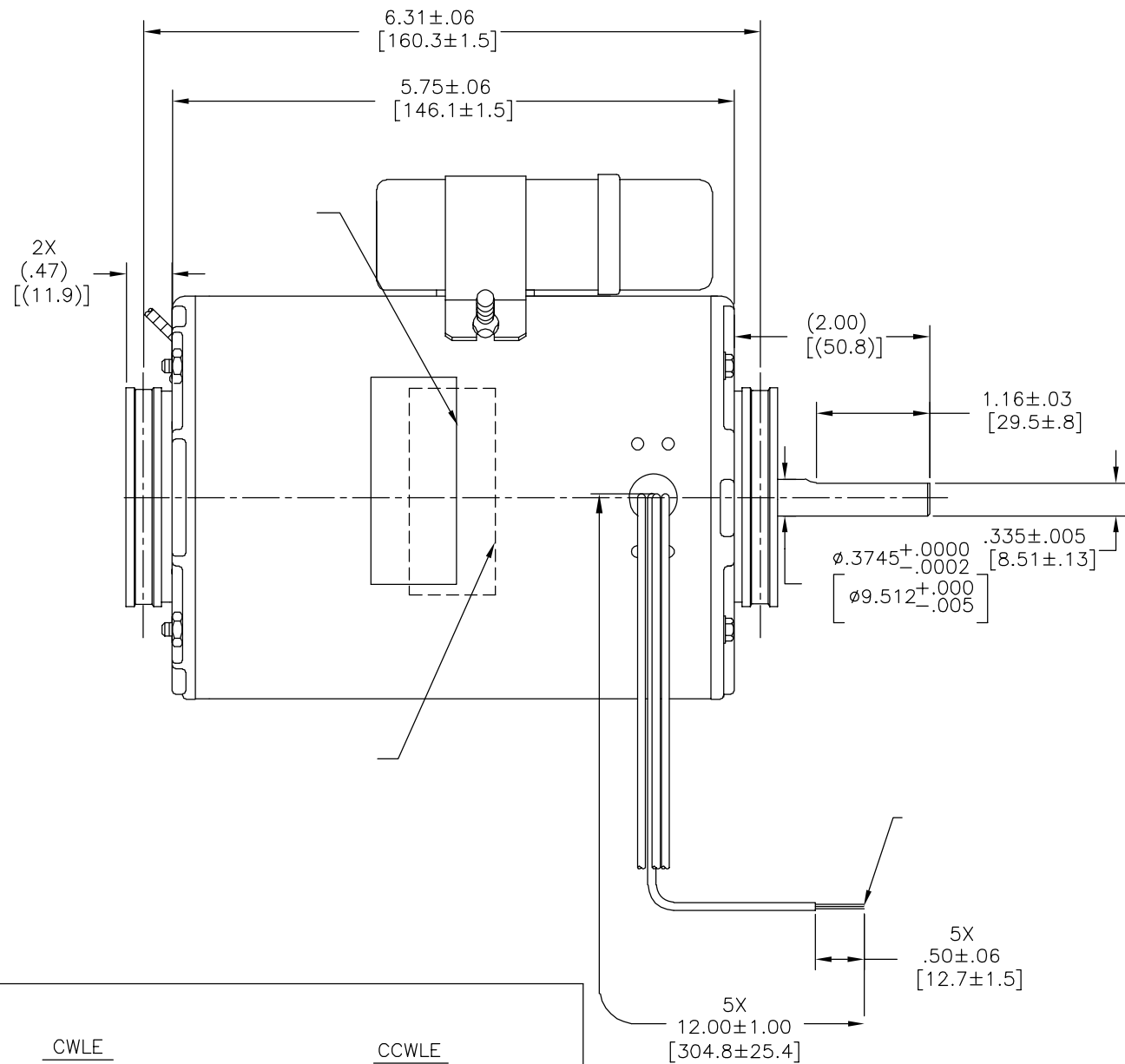
REGAL REGAL-BELOIT CORPORATION

DESCRIPCION: MODEL-RFHP-42FR OUTLINE

TAMAÑO: C NUMERO DE DIBUJO: DE3F7116

ESCALA: NONE HOJA: 1

| | | | | | |
|----|---------|-----------|------------|------------|------------|
| 版本 | ECO | 编制 | 日期 | 批准 | 日期 |
| C | 0029021 | E.SINECIO | 10-18-2012 | G.ALVIDREZ | 10-18-2012 |



ROT: REVERSIBLE

Century Tipp City, OH
 THERMALLY PROTECTED

SER. DATE & PO# PLT LTR MOD DE3F116' 9667
 VOLTS 115 HZ50/60 AMPS1.8
 RPM 1050 SP1 PH1 CAP 5MFD/370 VAC
 INS CL B AMB40°C HP1/12 AIR OVER
 BRG SLV ← ROTATION →
 ASSEMBLED IN MEXICO

| |
|-------------|
| 63T7432-303 |
| CCWLE |
| CWLE |

形位公差
 □ 平面度
 — 直线度
 < 倾斜度
 ⊥ 垂直度
 // 平行度
 ○ 圆度
 ⊙ 圆柱度
 △ 面轮廓度
 ⊖ 线轮廓度
 ⤴ 圆跳动
 ⊕ 位置度
 ⊗ 同轴度
 ≡ 对称度

ASME Y14.5M 1994

除另有注明
 尺寸公差如下:
 英寸 X XX XXX XXXX
 毫米 ±.1 ±.02 ±.005 ±.0005
 角度 ±.50 度
 清理毛刺和尖棱
 英寸 .003-.015 毫米 0.1-0.4
 内圆角
 英寸 .020 毫米 0.5
 表面粗糙度
 英制 125 米制 3.2
 米制尺寸显示在L

绘图:
 批准:
 第三角投影

图纸格式发布日期 11-11-2011
 图纸格式版本 H

机密: 本图纸及相关信息所有权归REGAL-BELOIT CORPORATION
 未经REGAL-BELOIT CORPORATION书面授权, 不得泄露、
 复制、传播或作其他用途。—版权所有

REGAL REGAL-BELOIT CORPORATION

名称 MODEL-RFHP-42FR
 OUTLINE

图幅 C 图号 DE3F7116

比例 NONE 页号 1