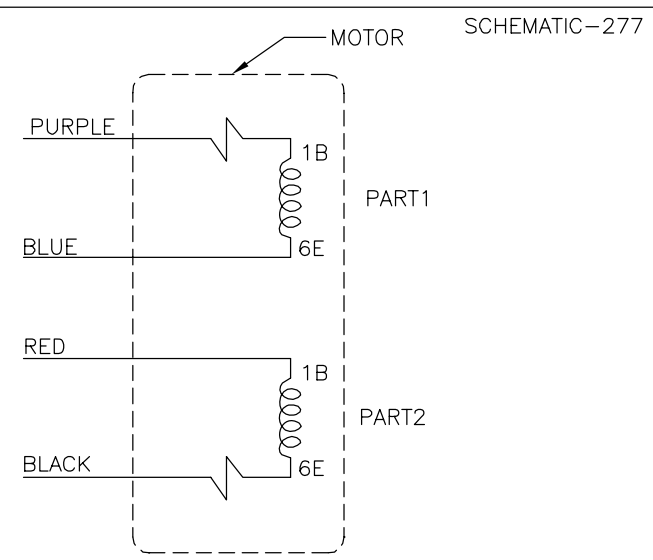
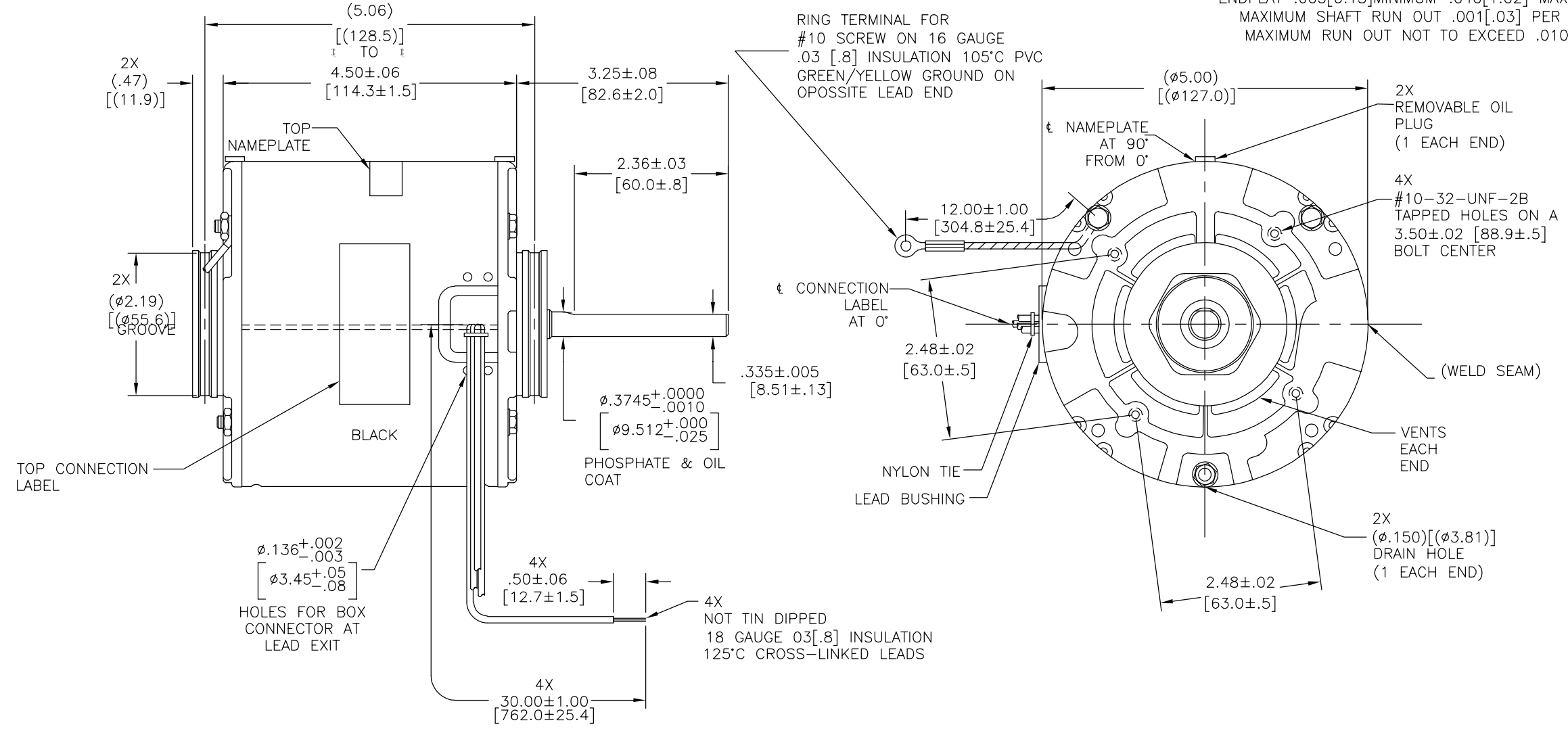


CUSTOMER IS SOLELY RESPONSIBLE FOR MOTOR PERFORMANCE AND SUITABILITY IN APPLICATIONS FOR CUSTOMER'S USES

ENDPLAY .005[0.13]MINIMUM-.040[1.02] MAXIMUM  
 MAXIMUM SHAFT RUN OUT .001[.03] PER INCH  
 MAXIMUM RUN OUT NOT TO EXCEED .010[.25]



COLOR CODE	
115 V	PURPLE & RED TO LINE BLUE & BLACK TO LINE
230 V	PURPLE TO ONE LINE BLACK TO OTHER LINE RED & BLUE TOGETHER & INSULATION

DRAWING REVISION M	REVISION BY E.CONG	DATE 03-13-2015	TOLERANCES UNLESS OTHERWISE SPECIFIED
ECO-0073510	APPROVED BY C.ZHANG	DATE 03-13-2015	DEC. INCH mm ANGLE
SEE ECO			.X ±0.1 (±2.5) ±0.5°
			.XX ±0.02 (±0.51)
			.XXX ±0.005 (±0.127)
			.XXXX ±0.0005 (±0.0127)
			REMOVE BURRS & BREAK SHARP EDGES .003/015 (0.076/3.81)
			CORNER FILLETS .02 (1.51)
			MACHINED SURFACES .125/ mm 3/2
			mm SHOWN IN [BRACKETS]

ROT: CWLE-CWSE

NAMEPLATE DATA:

**Century** Tipp City, OH THERMALLY PROTECTED

SER. DATE & PO# PLT LTR MOD DA3E265N# STK NO. 606  
 VOLTS 115/230 HZ 60 AMPS 3.8/1.9  
 RPM 1050 SP PH1 CAP  
 INS CL AMB °C HP 1/15 CONT A.O. ROTATION →  
 BRG SLV MECH. REV.

ASSEMBLED IN MEXICO

REGAL Regal Beloit America, Inc.

MODEL-RFHP-42FR  
 OUTLINE

THIRD ANGLE PROJECTION

SIZE DWG NO DA3E7265 SHEET 1

CONNECTION LABEL  
 63T7432-180

ELECTRICALLY PER  
 SAMPLE S-7513D