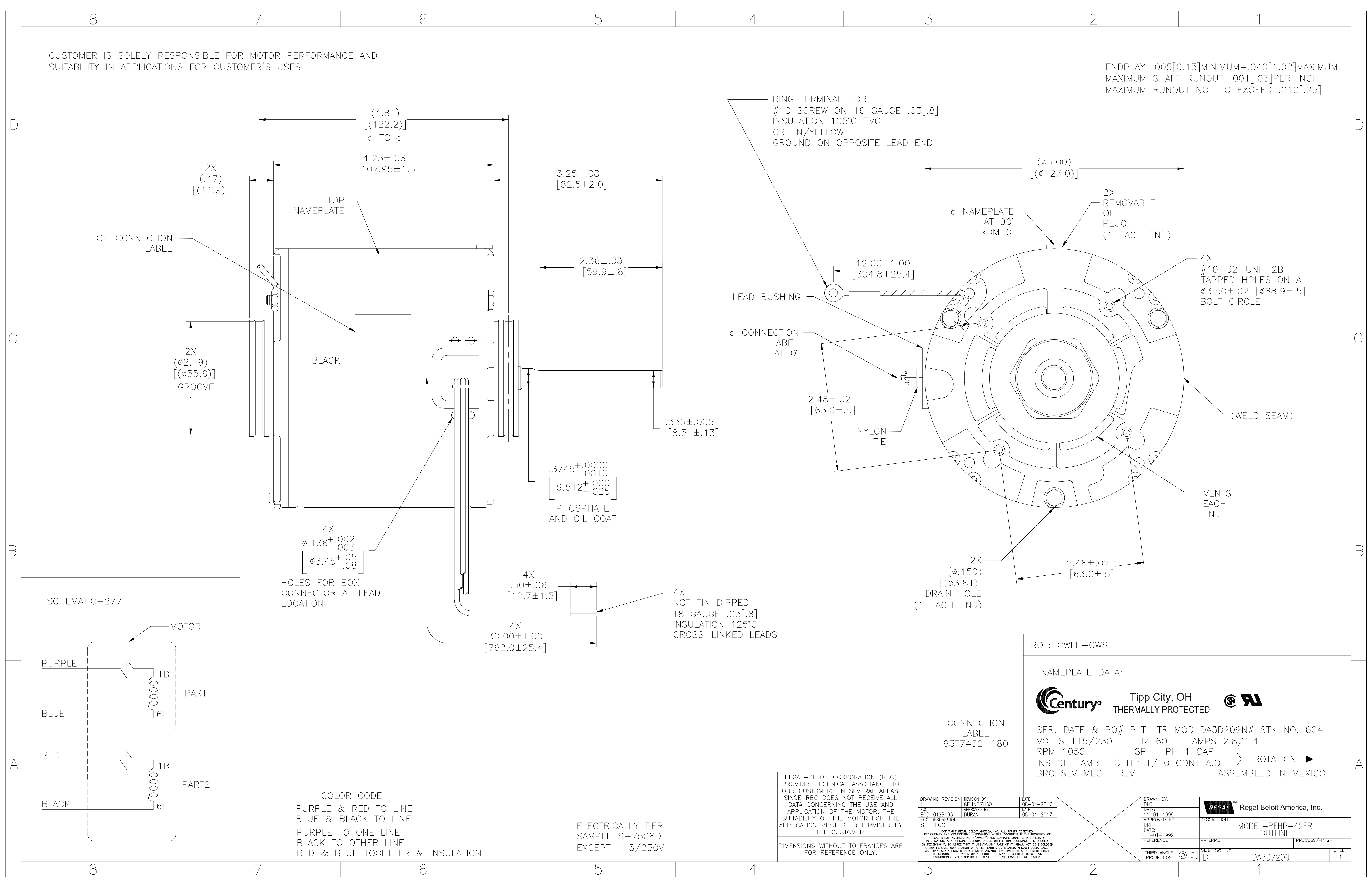


CUSTOMER IS SOLELY RESPONSIBLE FOR MOTOR PERFORMANCE AND SUITABILITY IN APPLICATIONS FOR CUSTOMER'S USES

ENDPLAY .005[0.13]MINIMUM-.040[1.02]MAXIMUM
MAXIMUM SHAFT RUNOUT .001[.03]PER INCH
MAXIMUM RUNOUT NOT TO EXCEED .010[.25]



RING TERMINAL FOR #10 SCREW ON 16 GAUGE .03[.8] INSULATION 105°C PVC GREEN/YELLOW GROUND ON OPPOSITE LEAD END

q NAMEPLATE AT 90° FROM 0°
2X REMOVABLE OIL PLUG (1 EACH END)

4X #10-32-UNF-2B TAPPED HOLES ON A Ø3.50±.02 [Ø88.9±.5] BOLT CIRCLE

(WELD SEAM)

VENTS EACH END

2X (Ø.150) [(Ø3.81)] DRAIN HOLE (1 EACH END)

LEAD BUSHING

q CONNECTION LABEL AT 0°

NYLON TIE

4X NOT TIN DIPPED 18 GAUGE .03[.8] INSULATION 125°C CROSS-LINKED LEADS

4X .50±.06 [12.7±1.5]

4X 30.00±1.00 [762.0±25.4]

.3745^{+.0000}_{-.0010}
9.512^{+.000}_{-.025}
PHOSPHATE AND OIL COAT

.335±.005 [8.51±.13]

3.25±.08 [82.5±2.0]

2.36±.03 [59.9±.8]

4.25±.06 [107.95±1.5]

(4.81) [(122.2)]
q TO q

2X (.47) [(11.9)]

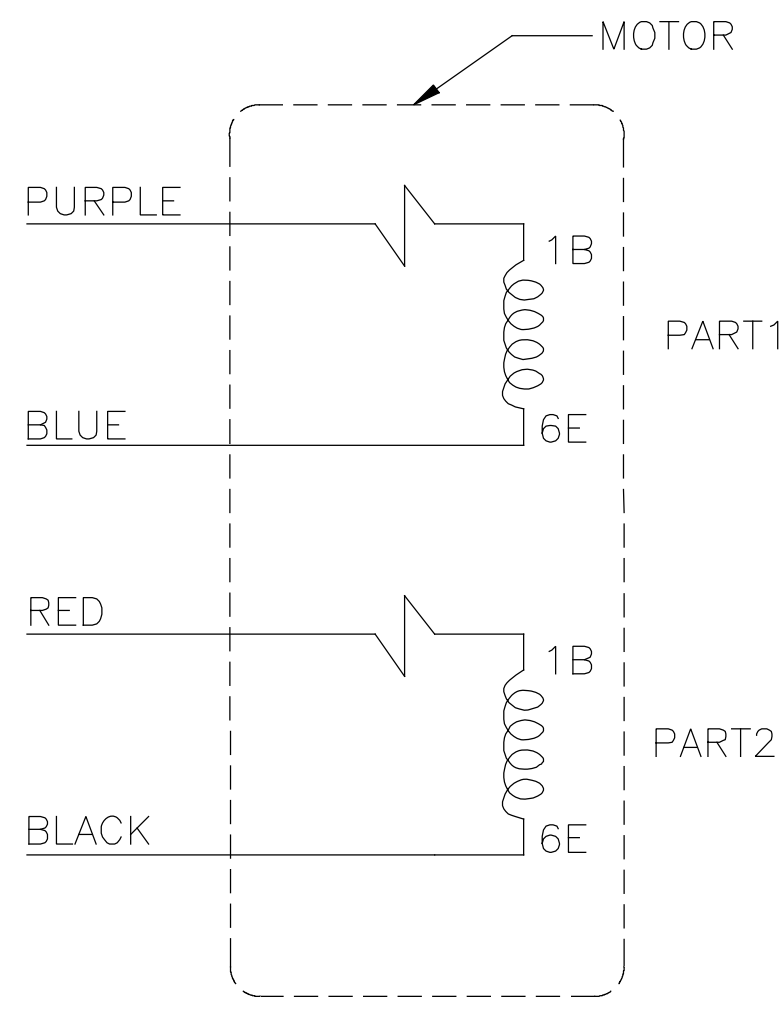
2X (Ø2.19) [(Ø55.6)] GROOVE

TOP NAMEPLATE

BLACK

4X Ø.136^{+.002}_{-.003}
Ø3.45^{+.05}_{-.08}
HOLES FOR BOX CONNECTOR AT LEAD LOCATION

SCHEMATIC-277



COLOR CODE
PURPLE & RED TO LINE
BLUE & BLACK TO LINE
PURPLE TO ONE LINE
BLACK TO OTHER LINE
RED & BLUE TOGETHER & INSULATION

ELECTRICALLY PER SAMPLE S-7508D EXCEPT 115/230V

REGAL-BELOIT CORPORATION (RBC) PROVIDES TECHNICAL ASSISTANCE TO OUR CUSTOMERS IN SEVERAL AREAS. SINCE RBC DOES NOT RECEIVE ALL DATA CONCERNING THE USE AND APPLICATION OF THE MOTOR, THE SUITABILITY OF THE MOTOR FOR THE APPLICATION MUST BE DETERMINED BY THE CUSTOMER.

DIMENSIONS WITHOUT TOLERANCES ARE FOR REFERENCE ONLY.

CONNECTION LABEL 63T7432-180

ROT: CWLE-CWSE

NAMEPLATE DATA:

Century Tipp City, OH THERMALLY PROTECTED **REGAL**

SER. DATE & PO# PLT LTR MOD DA3D209N# STK NO. 604
VOLTS 115/230 HZ 60 AMPS 2.8/1.4
RPM 1050 SP PH 1 CAP
INS CL AMB °C HP 1/20 CONT A.O. ROTATION →
BRG SLV MECH. REV. ASSEMBLED IN MEXICO

DRAWING REVISION	REVISION BY	DATE
L	CELINE ZHAO	08-04-2017
ECO	DURAN	08-04-2017
ECO-0128493		
ECO DESCRIPTION		
SEE ECO		

DRAWN BY	DLC
DATE	11-01-1999
APPROVED BY	DRB
DATE	11-01-1999
REFERENCE	
THIRD ANGLE PROJECTION	

Regal Regal Beloit America, Inc.	
DESCRIPTION	MODEL-RFHP-42FR OUTLINE
MATERIAL	
PROCESS/FINISH	
SIZE	DWG NO DA3D7209
SHEET	1