

4

3

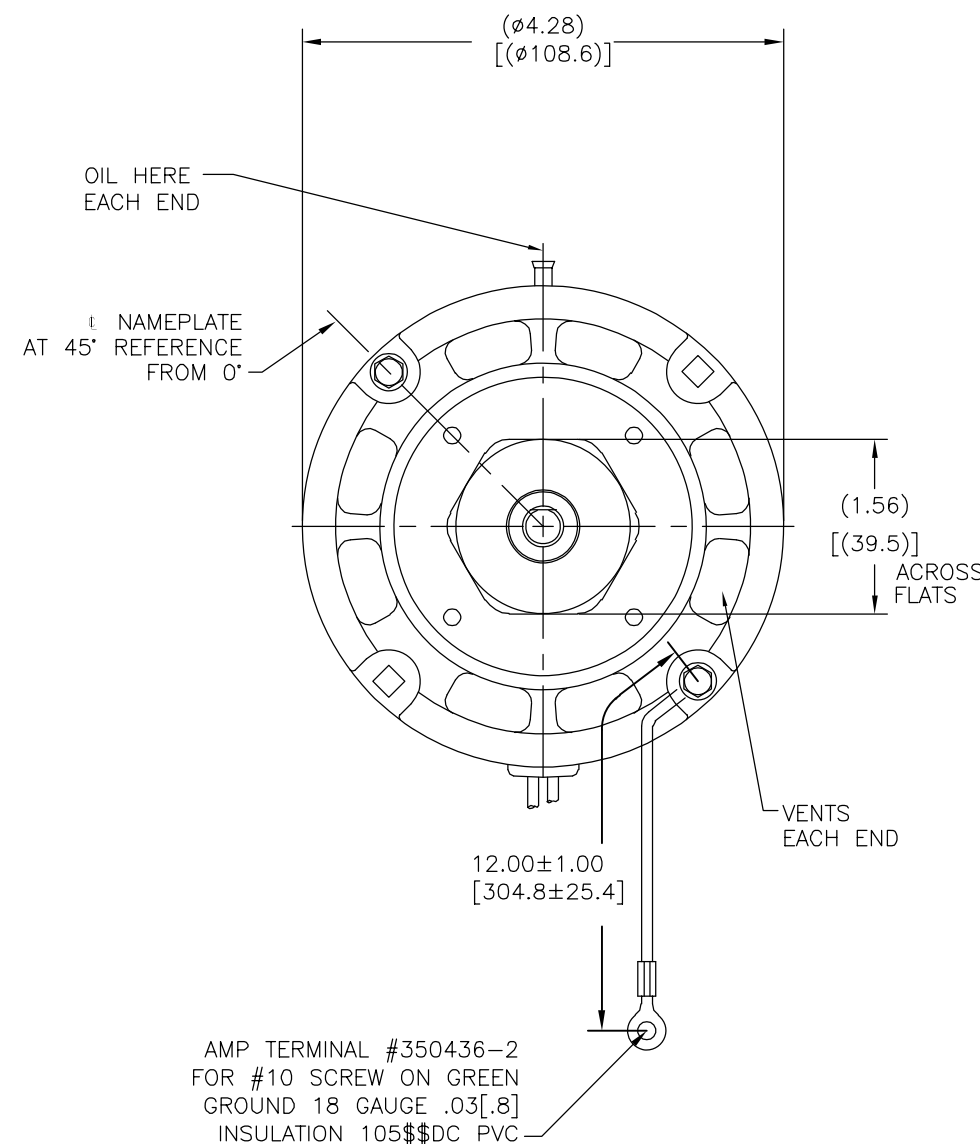
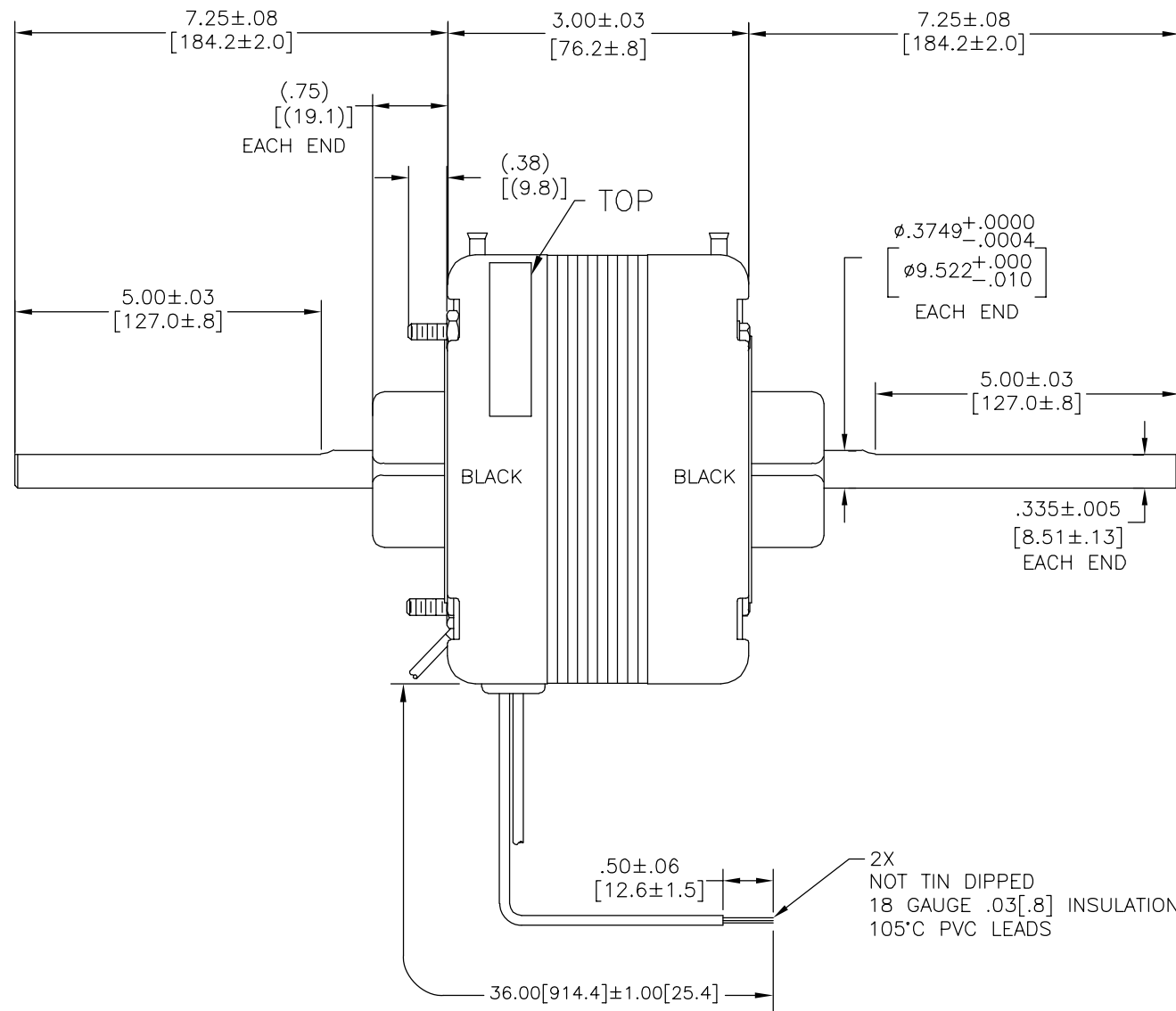
2

1

CUSTOMER IS SOLELY RESPONSIBLE FOR MOTOR PERFORMANCE AND SUITABILITY IN APPLICATIONS FOR CUSTOMER'S USES.

REV	ECO	REV BY	DATE	APPD	DATE
BC	0027378	H.REN	07-13-2012	B.SHEN	07-13-2012

END PLAY .04[1.0] MAXIMUM



CCWLE



Tipp City, OH

THERMALLY PROTECTED



SER. DATE PLT MOD CA2E130N#
 115V 60HZ 1550RPM 1.4A 1/25HP CONT A.O. 1PH.
 ← ROTATION → STK NO 322 ASSEMBLED IN MEXICO

ELECTRICALLY PER SAMPLE S-1923B

GEOMETRIC CHARACTERISTICS & SYMBOLS	
▭	FLATNESS
—	STRAIGHTNESS
∠	ANGULARITY
⊥	PERPENDICULARITY (SQUARENESS)
//	PARALLELISM
○	ROUNDNESS (CIRCULARITY)
⊘	CYLINDRICITY
△	PROFILE OF ANY SURFACE
∧	PROFILE OF ANY LINE
↗	RUNOUT
⊕	TRUE POSITION
⊙	CONCENTRICITY
≡	SYMMETRY

UNLESS OTHERWISE SPECIFIED DIM. TOLERANCES ARE AS FOLLOWS:	
INCH	±.1 .02 ±.005 ±.0005
mm	±0.5 ±0.13 ±0.013
ANG. ±.50 DEG	
REMOVE BURRS & BREAK SHARP EDGES:	
INCH	.003-.015
mm	0.1-0.4
CORNER FILLETS TO:	
INCH	.020
mm	0.5
MACHINE SURFACES:	
INCH	125
mm	3.2
METRIC DIMS. SHOWN IN [BRACKETS]	

DR BY:	
APPD:	
THIRD ANGLE PROJECTION	EDS DATE 11-11-2011 FORMAT REV H
CONFIDENTIAL: THIS DRAWING AND ITS INFORMATION ARE THE EXCLUSIVE AND CONFIDENTIAL PROPERTY OF REGAL-BELOIT CORPORATION AND ARE NOT TO BE DISCLOSED, DUPLICATED, DISTRIBUTED OR OTHERWISE USED WITHOUT THE WRITTEN CONSENT OF REGAL-BELOIT CORPORATION. -ALL RIGHTS RESERVED.	

REGAL REGAL-BELOIT CORPORATION	
DESCRIPTION OUTLINE	
SIZE C	DWG NO CA2E130
SCALE NONE	SHEET 1

4

3

2

1

4

3

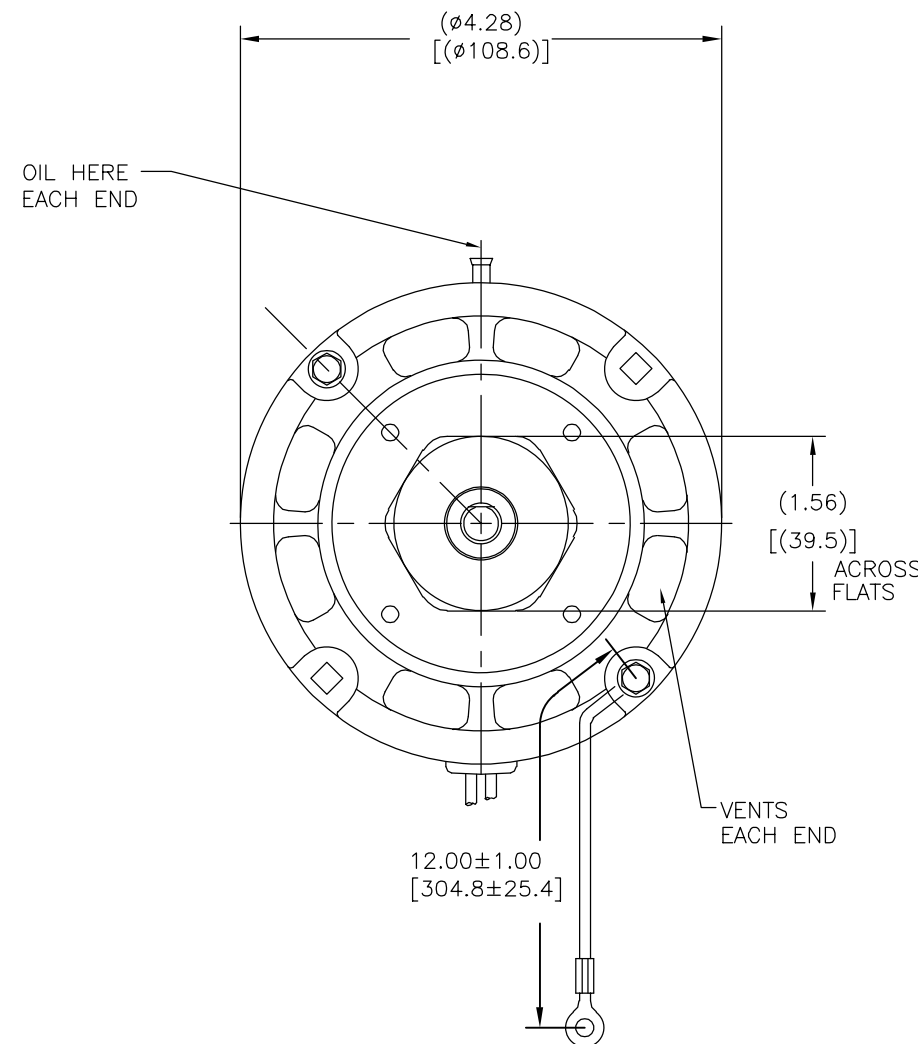
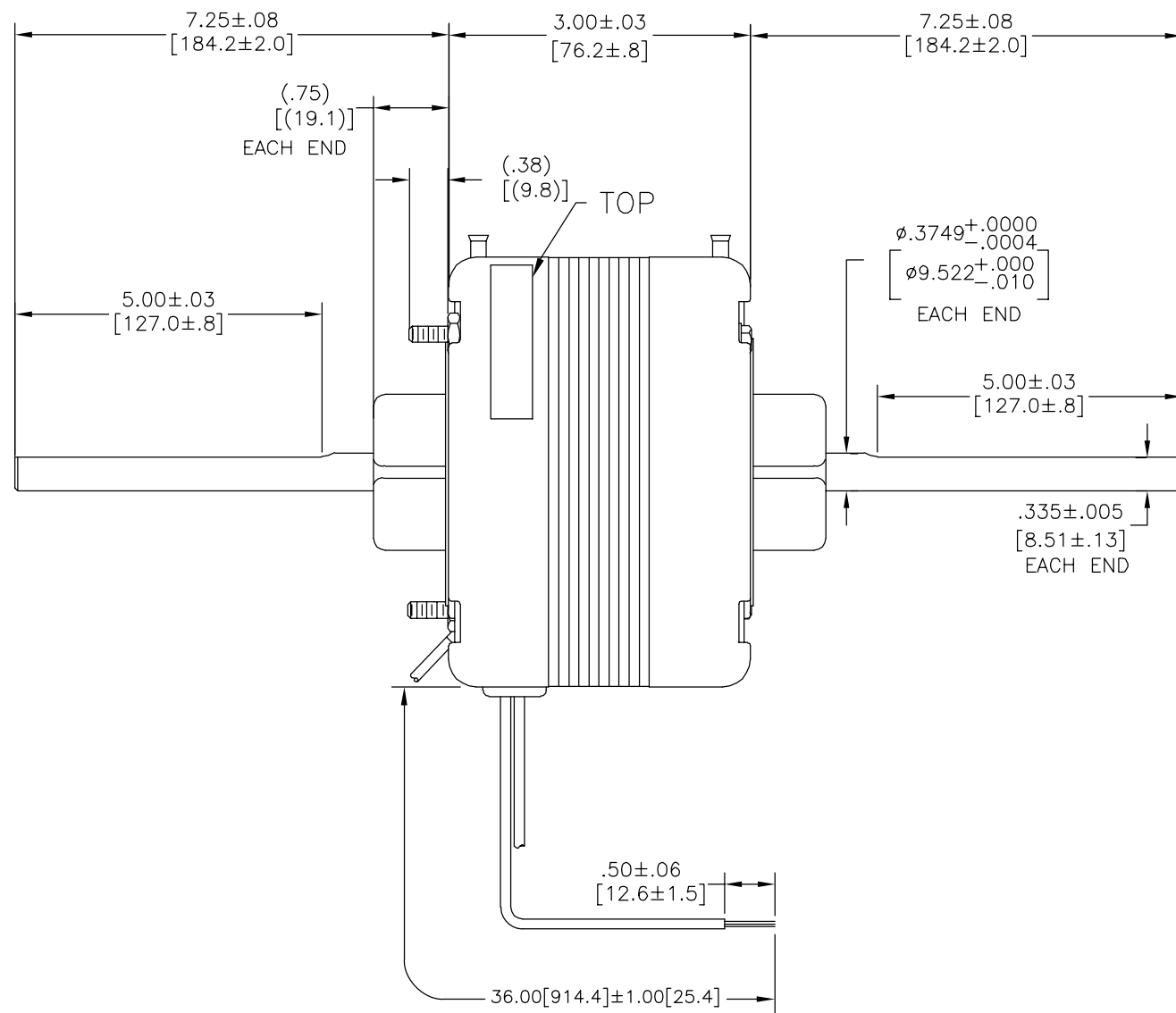
2

1

CUSTOMER IS SOLELY RESPONSIBLE FOR MOTOR PERFORMANCE AND SUITABILITY IN APPLICATIONS FOR CUSTOMER'S USES.

REVISION:	ECO	REVISADO POR:	FECHA:	APROBADO POR:	FECHA:
BC	0027378	H.REN	07-13-2012	B.SHEN	07-13-2012

END PLAY .04[1.0] MAXIMUM



CCWLE



Tipp City, OH

THERMALLY PROTECTED



SER. DATE PLT MOD CA2E130#
 115V 60HZ 1550RPM 1.4A 1/25HP CONT A.O. 1PH.
 ← ROTATION → STK NO 322 ASSEMBLED IN MEXICO

ELECTRICALLY PER SAMPLE S-1923B

CARACTERISTICAS DE GEOMETRIA Y SIMBOLOS ▽ PLANICIDAD — RECTITUD < ANULARIDAD ⊥ PERPENDICULARIDAD (A ESCUADRA) // PARALELISMO ○ REDONDEZ (CIRCULARIDAD) ∅ CILINDRICIDAD △ PERFIL DE CUALQUIER SUPERFICIE ▲ PERFIL DE CUALQUIER LINEA ↗ VARIACION ⊕ POSICION REAL ⊙ CONCENTRICIDAD = SIMETRIA	A MENOS QUE SE ESPECIFIQUE DE OTRA MANERA, LAS TOLERANCIAS DE LAS DIMS; SON LAS SIGUIENTES: PULG ±.1 ±.02 ±.005 ±.0005 mm ±0.5 ±0.13 ±0.013 ANG. ±50 GRADOS ELIMINAR REBABAS Y ORILLAS FILOSAS DEL BORDE. PULG .003-.015 mm 0.1-0.4 FILETEAR ESQUINA: PULG .020 mm 0.5 MAQUINAR SUPERFICIES PULG 125 mm 3.2
--	---

DIBUJADO POR: APROBADO POR: TERCER ANGULO DE PROYECCION CONFIDENCIAL: ESTE DIBUJO Y SU INFORMACION SON PROPIEDAD DE USO EXCLUSIVO Y CONFIDENCIAL DE REGAL-BELOIT CORPORATION. Y NO DEBERAN SER REVELADOS, DUPLICADOS, DISTRIBUIDOS O USARSE DE OTRA MANERA SIN EL CONSENTIMIENTO ESCRITO DE REGAL-BELOIT CORPORATION. -TODOS LOS DERECHOS RESERVADOS.	FECHA EDS: 11-11-2011 REV. FORMATO: H
--	--

REGAL REGAL-BELOIT CORPORATION
DESCRIPCION: OUTLINE
TAMAÑO: C NUMERO DE DIBUJO: CA2E130
ESCALA: NONE HOJA: 1

4

3

2

1

4

3

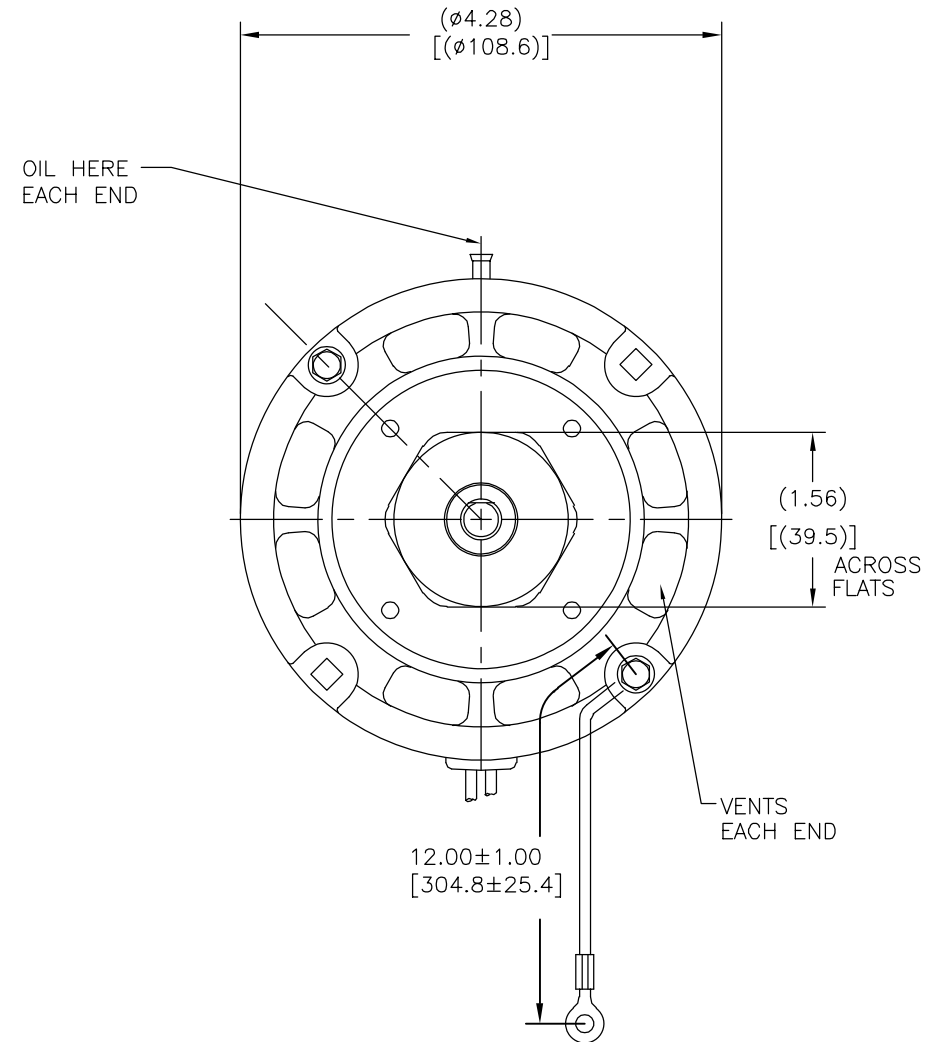
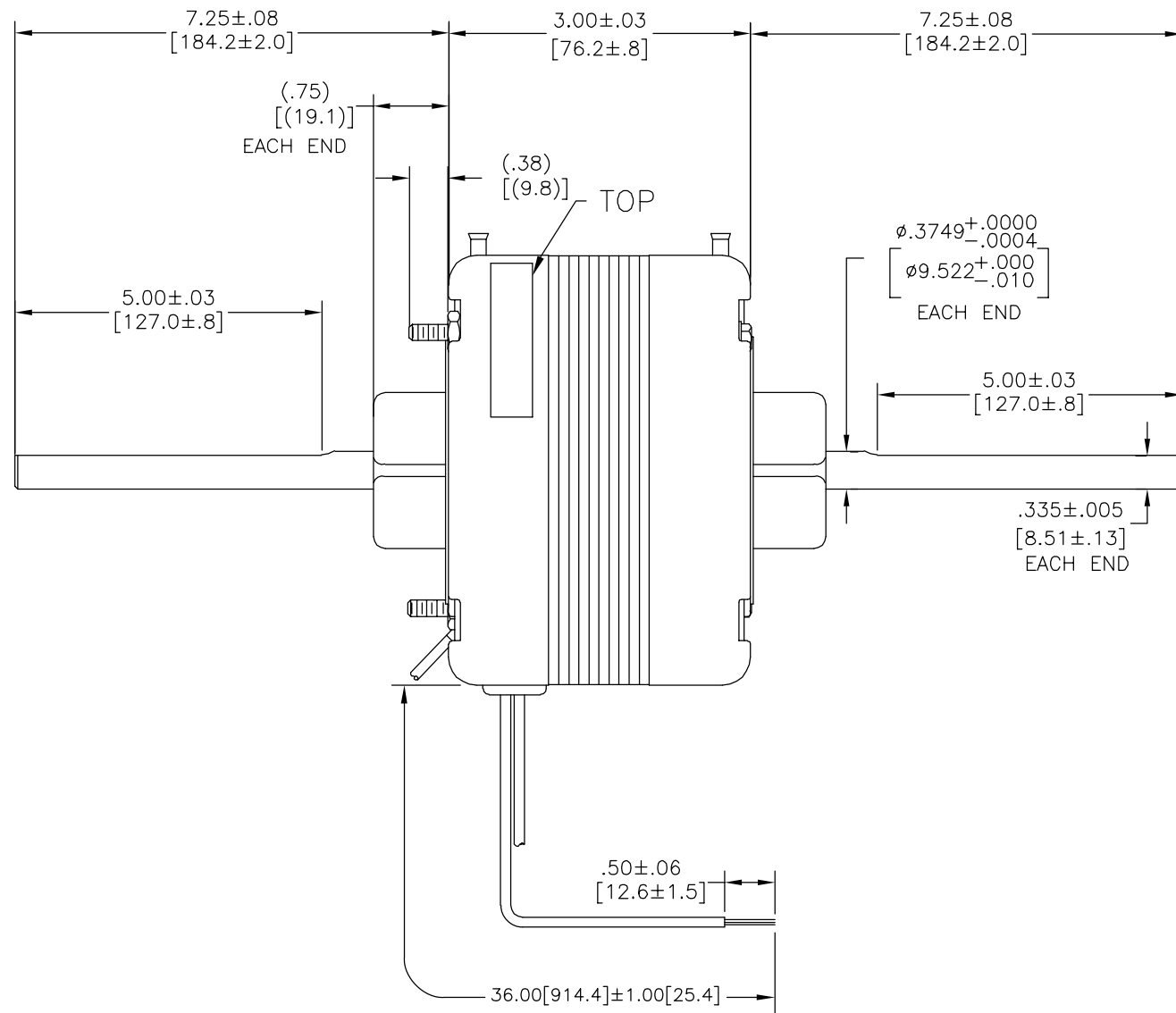
2

1

CUSTOMER IS SOLELY RESPONSIBLE FOR MOTOR PERFORMANCE AND SUITABILITY IN APPLICATIONS FOR CUSTOMER'S USES.

版本	ECO	编制	日期	批准	日期
BC	0027378	H.REN	07-13-2012	B.SHEN	07-13-2012

END PLAY .04[1.0] MAXIMUM



CCWLE



Tipp City, OH

THERMALLY PROTECTED
MOD CA2E130N#



SER. DATE PLT
115V 60HZ 1550RPM 1.4A 1/25HP CONT A.O. 1PH.
← ROTATION → STK NO 322 ASSEMBLED IN MEXICO

ELECTRICALLY PER
SAMPLE S-1923B

形位公差 □ 平面度 — 直线度 ∠ 倾斜度 ⊥ 垂直度 ∥ 平行度 ○ 圆度 ⊘ 圆柱度 △ 面轮廓度 ⌒ 线轮廓度 ↗ 圆跳动 ⊕ 位置度 ⊙ 同轴度 ≡ 对称度	除另有注明 尺寸公差如下: 英寸 X XX XXX XXXX 毫米 ±.1 ±.02 ±.005 ±.0005 ±0.5 ±0.13 ±0.013 角度 ±.50 度 清理毛刺和尖棱 英寸 .003-.015 毫米 0.1-0.4 内圆角 英寸 .020 毫米 0.5 表面粗糙度 英制 125 米制 3.2
--	---

ASME Y14.5M 1994

米制尺寸显示在 []

绘图:	
批准:	
第三角投影	
机密: 本图纸及相关信息所有权归REGAL-BELOIT CORPORATION. 未经REGAL-BELOIT CORPORATION书面授权, 不得泄露、复制、传播或作其他用途。一版权所有	

REGAL-BELOIT CORPORATION	
名称	OUTLINE
图幅	C
图号	CA2E130
比例	NONE
页号	1

4

3

2

1