

4

3

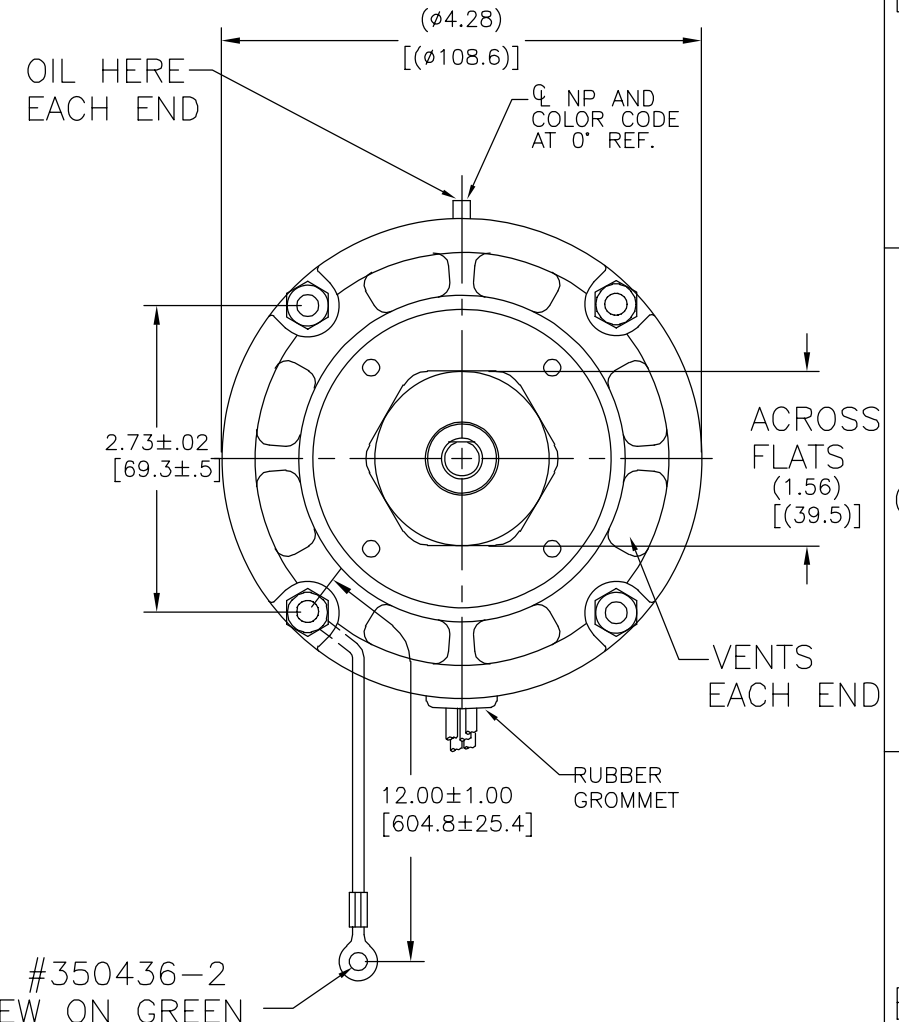
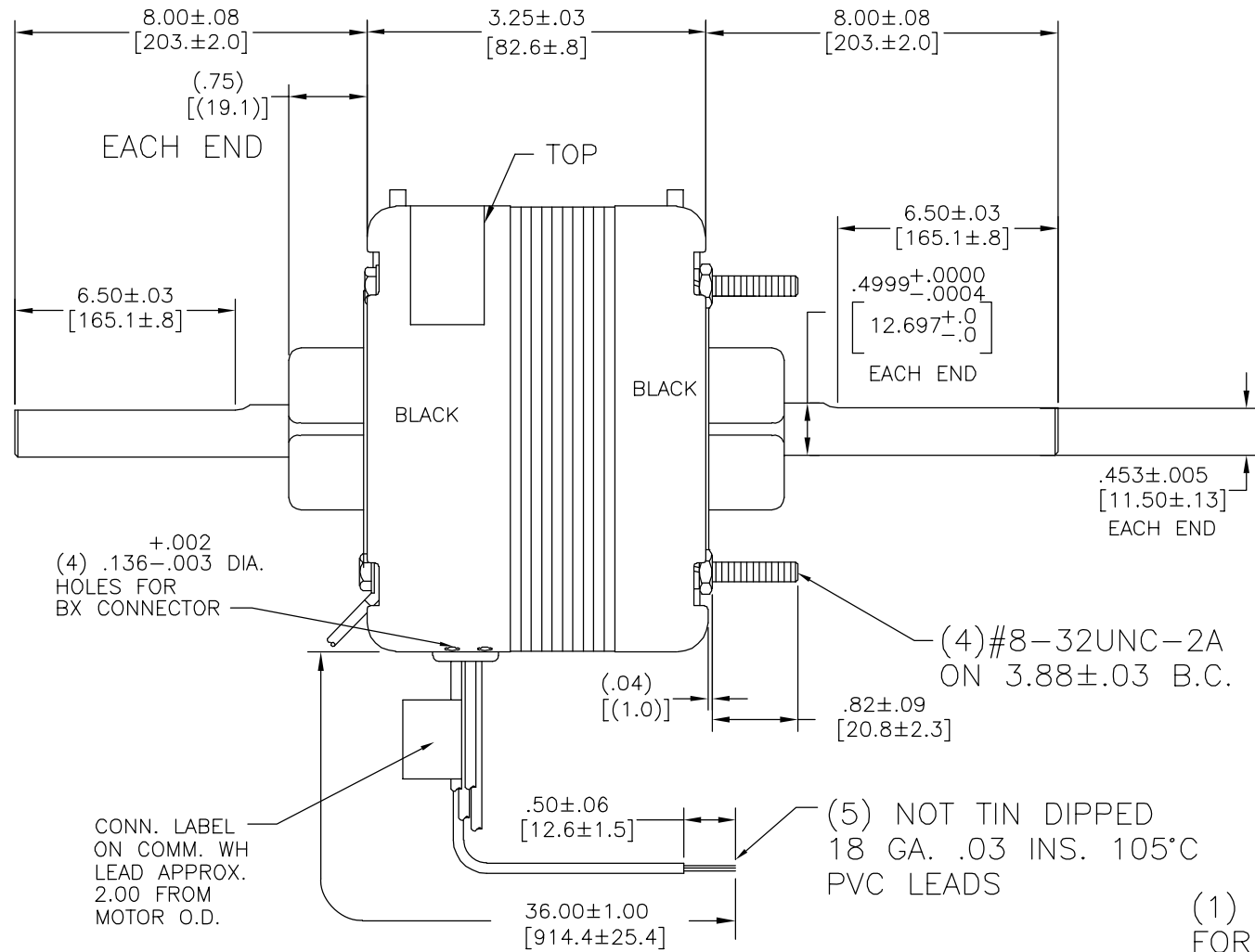
2

1

CUSTOMER IS SOLELY RESPONSIBLE FOR MOTOR PERFORMANCE AND SUITABILITY IN APPLICATIONS FOR CUSTOMER'S USES

REV	ECO	REV BY	DATE	APPD	DATE
CR	0027378	H.REN	07-13-2012	B.SHEN	07-13-2012

END PLAY .04 MAX.



REF. 63T457J-1
 BK HIGH 1.8A 1/20HP
 YE MED HI 1.3A 1/30HP
 BU MED .95A 1/40HP
 RD LOW .70A 1/60HP
 WH COM

NAMEPLATE DATA:
 REF. 63T444J-1



THERMALLY PROTECTED

Tipp City, OH

SER. DATE, PLT MOD CA2F044N# STOCK NO 364
 115V 60HZ 1.8A 1550RPM 1PH CONT A.O.
 ASSEMBLED IN MEXICO

CONN. LABEL
 63T473J-9

ELECTRICALLY PER
 SAMPLE S-371C-1

CWLE

GEOMETRIC CHARACTERISTICS & SYMBOLS	
□	FLATNESS
-	STRAIGHTNESS
∠	ANGULARITY
⊥	PERPENDICULARITY (SQUARENESS)
//	PARALLELISM
○	ROUNDNESS (CIRCULARITY)
⊘	CYLINDRICITY
△	PROFILE OF ANY SURFACE
∧	PROFILE OF ANY LINE
↗	RUNOUT
⊕	TRUE POSITION
◎	CONCENTRICITY
≡	SYMMETRY

UNLESS OTHERWISE SPECIFIED DIM. TOLERANCES ARE AS FOLLOWS:	
INCH	±.1 ±.02 ±.005 ±.0005
mm	±0.5 ±0.13 ±0.013
ANG. ±.50 DEG	
REMOVE BURRS & BREAK SHARP EDGES:	
INCH	.003-.015 mm 0.1-0.4
CORNER FILLETS TO:	
INCH	.020 mm 0.5
MACHINE SURFACES:	
INCH	125 mm 3.2
METRIC DIMS. SHOWN IN [BRACKETS]	

DR BY:	
APPD:	
THIRD ANGLE PROJECTION	EDS DATE 11-11-2011 FORMAT REV H
CONFIDENTIAL: THIS DRAWING AND ITS INFORMATION ARE THE EXCLUSIVE AND CONFIDENTIAL PROPERTY OF REGAL-BELOIT CORPORATION AND ARE NOT TO BE DISCLOSED, DUPLICATED, DISTRIBUTED OR OTHERWISE USED WITHOUT THE WRITTEN CONSENT OF REGAL-BELOIT CORPORATION. -ALL RIGHTS RESERVED.	

REGAL REGAL-BELOIT CORPORATION	
DESCRIPTION OUTLINE	
SIZE C	DWG NO CA2F044
SCALE NONE	SHEET 1

4

3

2

1

4

3

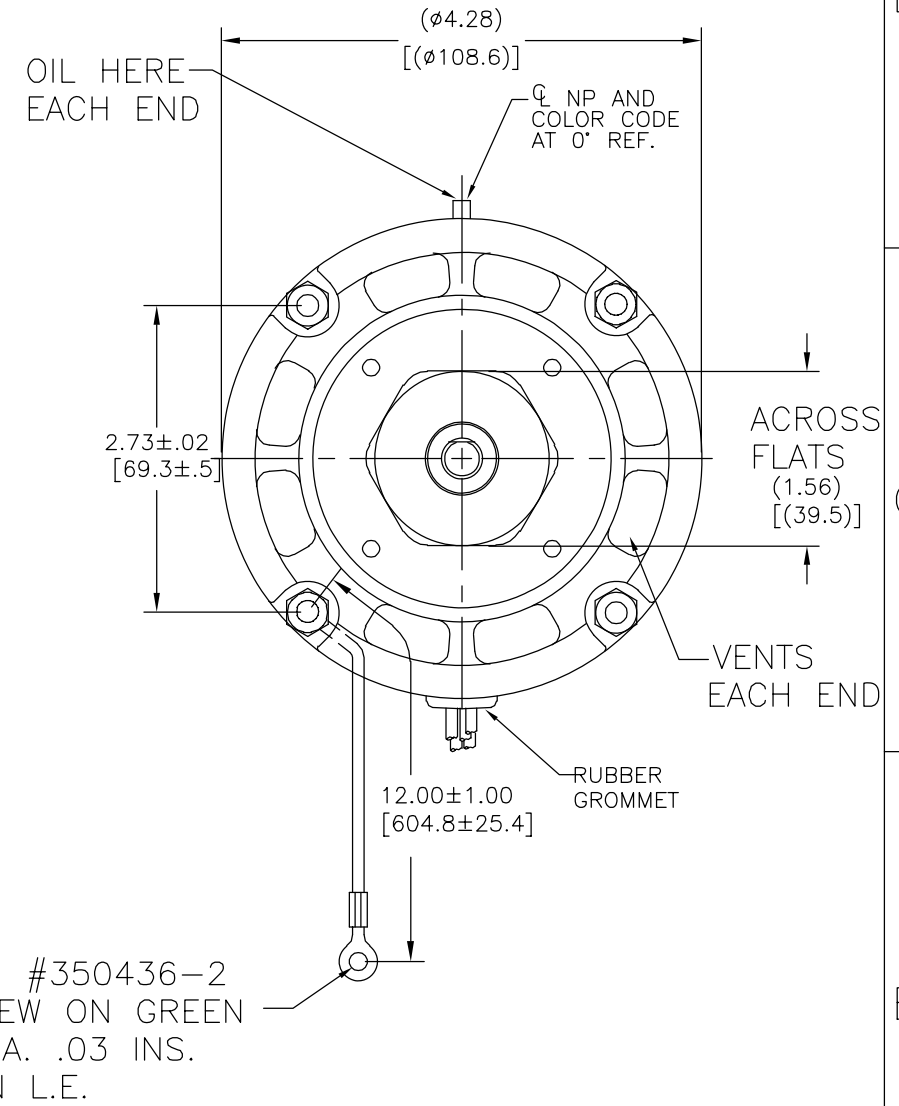
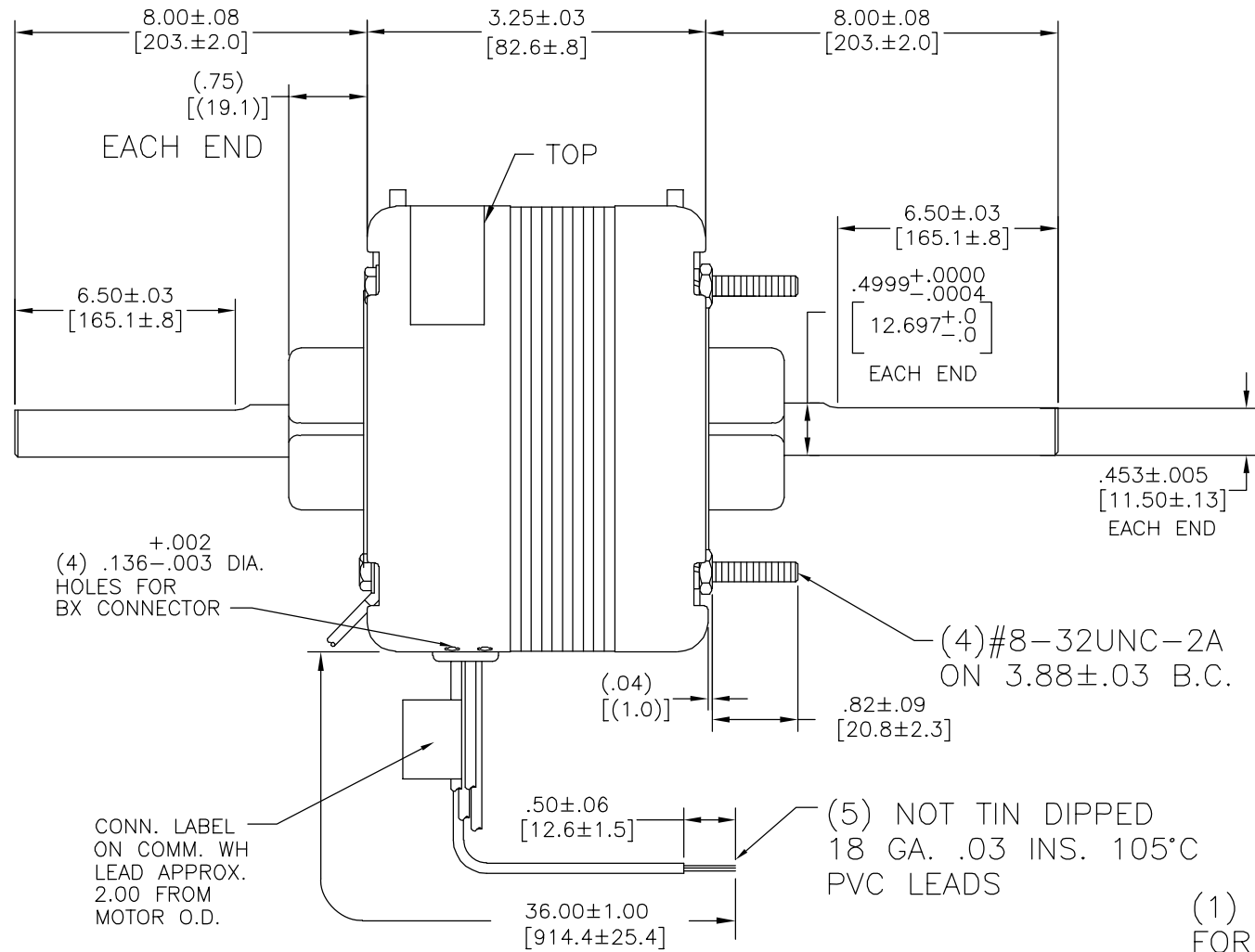
2

1

CUSTOMER IS SOLELY RESPONSIBLE FOR MOTOR PERFORMANCE AND SUITABILITY IN APPLICATIONS FOR CUSTOMER'S USES

REVISION:	ECO	REVISADO POR:	FECHA:	APROBADO POR:	FECHA:
CR	0027378	H.REN	07-13-2012	B.SHEN	07-13-2012

END PLAY .04 MAX.



REF. 63T457J-1
 BK HIGH 1.8A 1/20HP
 YE MED HI 1.3A 1/30HP
 BU MED .95A 1/40HP
 RD LOW .70A 1/60HP
 WH COM

NAMEPLATE DATA:
 REF. 63T444J-1



THERMALLY PROTECTED

Tipp City, OH

SER. DATE, PLT MOD CA2F044N# STOCK NO 364
 115V 60HZ 1.8A 1550RPM 1PH CONT A.O.
 ASSEMBLED IN MEXICO →-ROTATION→

CONN. LABEL
 63T473J-9

ELECTRICALLY PER
 SAMPLE S-371C-1

CWLE

CARACTERISTICAS DE GEOMETRIA Y SIMBOLOS ▧ PLANICIDAD - RECTITUD < ANGULARIDAD ⊥ PERPENDICULARIDAD (A ESCUADRA) // PARALELISMO ○ REDONDEZ (CIRCULARIDAD) ∅ CILINDRICIDAD △ PERFIL DE CUALQUIER SUPERFICIE ▲ PERFIL DE CUALQUIER LINEA ↗ VARIACION ⊕ POSICION REAL ⊙ CONCENTRICIDAD = SIMETRIA	A MENOS QUE SE ESPECIFIQUE DE OTRA MANERA, LAS TOLERANCIAS DE LAS DIMS; SON LAS SIGUIENTES: PULG ±.1 ±.02 ±.005 ±.0005 mm ±0.5 ±0.13 ±0.013 ANG. ±50 GRADOS ELIMINAR REBABAS Y ORILLAS FILOSAS DEL BORDE. PULG .003-.015 mm 0.1-0.4 FILETEAR ESQUINA: PULG .020 mm 0.5 MAQUINAR SUPERFICIES PULG 125 mm 3.2 DIMS METRICAS MOSTRADAS [PARENTESIS]	DIBUJADO POR:	REGAL REGAL-BELOIT CORPORATION DESCRIPCION: OUTLINE TAMAÑO: C NUMERO DE DIBUJO: CA2F044 ESCALA: NONE HOJA: 1
		APROBADO POR: TERCER ANGULO DE PROYECCION CONFIDENCIAL: ESTE DIBUJO Y SU INFORMACION SON PROPIEDAD DE USO EXCLUSIVO Y CONFIDENCIAL DE REGAL-BELOIT CORPORATION. Y NO DEBERAN SER REVELADOS, DUPLICADOS, DISTRIBUIDOS O USARSE DE OTRA MANERA SIN EL CONSENTIMIENTO ESCRITO DE REGAL-BELOIT CORPORATION. -TODOS LOS DERECHOS RESERVADOS.	

4

3

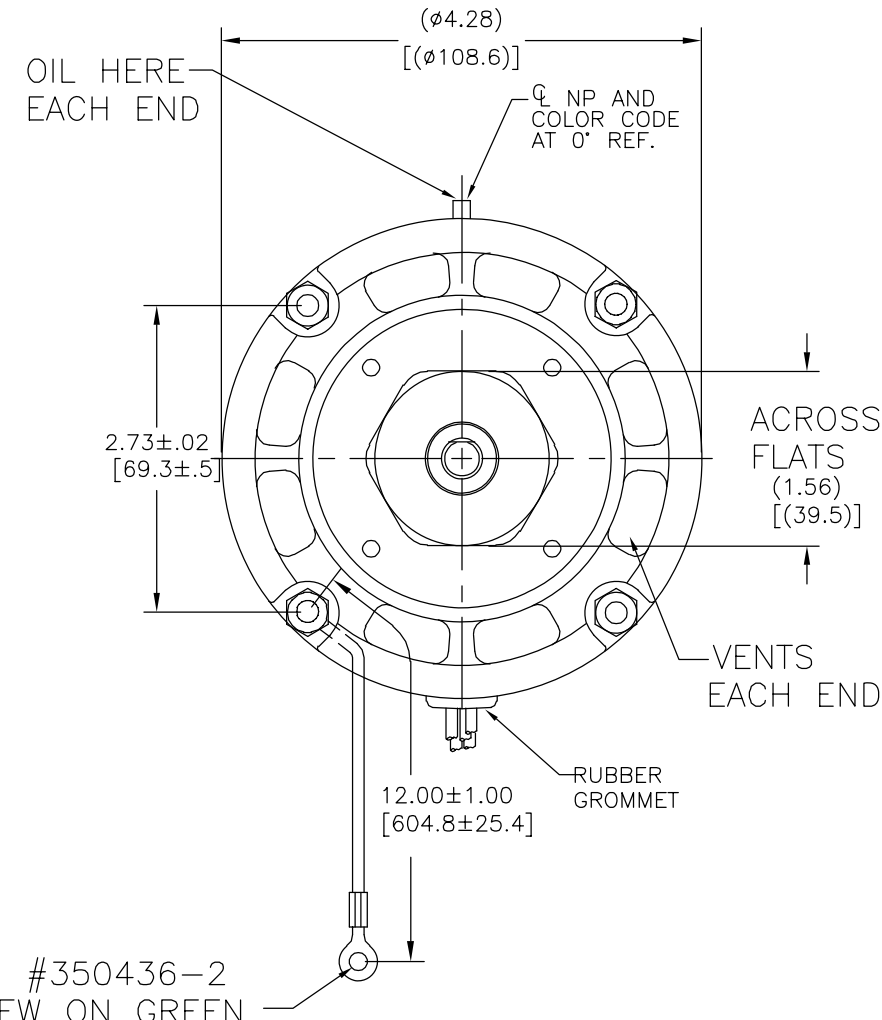
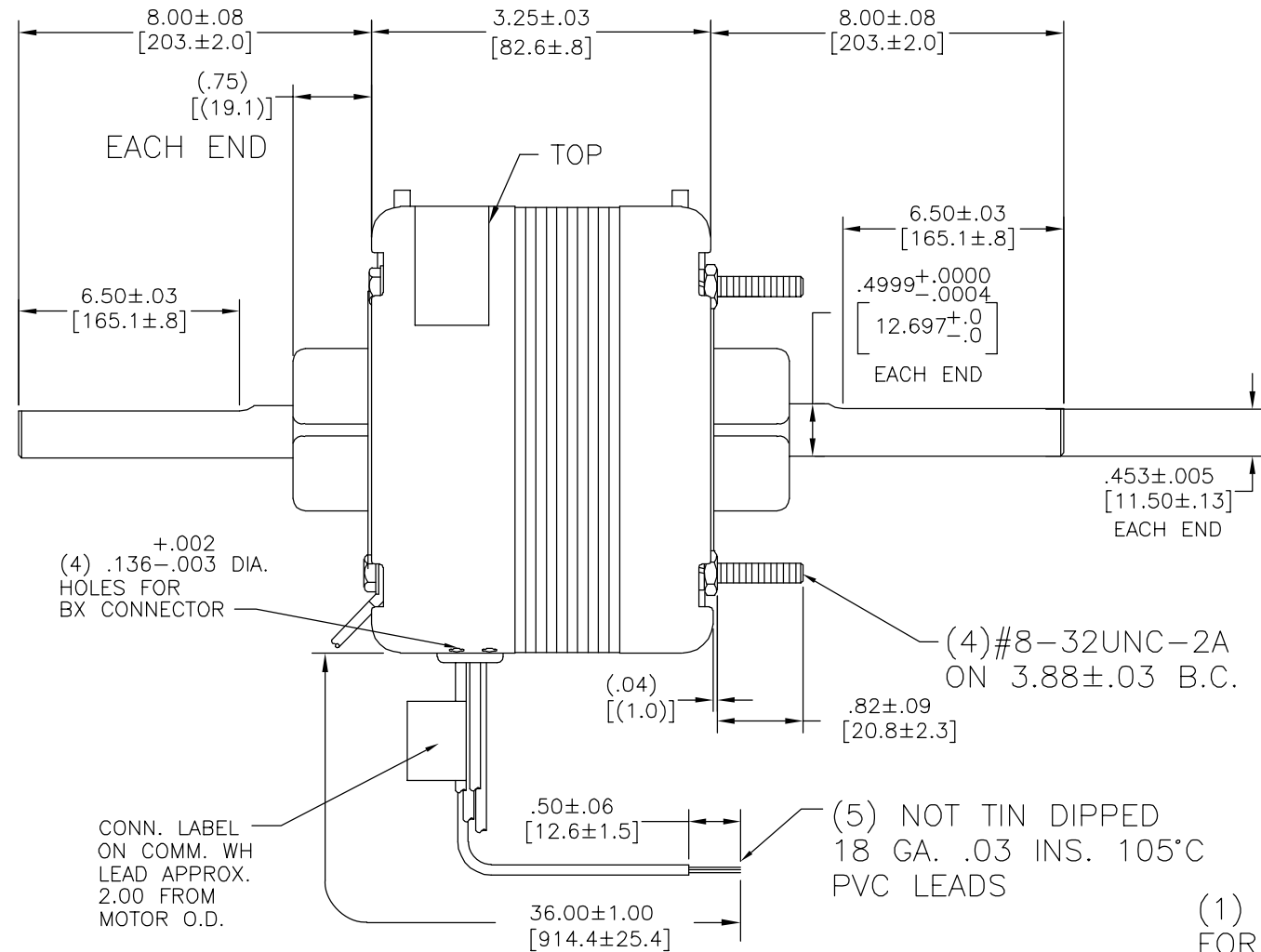
2

1

CUSTOMER IS SOLELY RESPONSIBLE FOR MOTOR PERFORMANCE AND SUITABILITY IN APPLICATIONS FOR CUSTOMER'S USES

版本	ECO	编制	日期	批准	日期
CR	0027378	H.REN	07-13-2012	B.SHEN	07-13-2012

END PLAY .04 MAX.



REF. 63T457J-1
 BK HIGH 1.8A 1/20HP
 YE MED HI 1.3A 1/30HP
 BU MED .95A 1/40HP
 RD LOW .70A 1/60HP
 WH COM

NAMEPLATE DATA:
 REF. 63T444J-1



THERMALLY PROTECTED

Tipp City, OH

SER. DATE, PLT MOD CA2F044N# STOCK NO 364
 115V 60HZ 1.8A 1550RPM 1PH CONT A.O.
 ASSEMBLED IN MEXICO

CONN. LABEL
 63T473J-9

ELECTRICALLY PER
 SAMPLE S-371C-1

CWLE

形位公差	除另有注明
□ 平面度	尺寸公差如下:
— 直线度	英寸 X XX XXX XXXX
∠ 倾斜度	英寸 ±.1 ±.02 ±.005 ±.0005
⊥ 垂直度	毫米 ±0.5 ±0.13 ±0.013
// 平行度	角度 ±.50 度
○ 圆度	清理毛刺和尖棱
⊘ 圆柱度	英寸 .003-.015 毫米 0.1-0.4
△ 面轮廓度	内圆角
∩ 线轮廓度	英寸 .020 毫米 0.5
∩ 圆跳动	表面粗糙度
⊕ 位置度	英制 125 米制 3.2
⊙ 同轴度	米制尺寸显示在 []

ASME Y14.5M 1994

绘图:

批准:

第三角投影

机密: 本图纸及相关信息所有权归REGAL-BELOIT CORPORATION
 未经REGAL-BELOIT CORPORATION书面授权, 不得泄露、
 复制、传播或作其他用途。一版权所有



REGAL-BELOIT CORPORATION

名称

OUTLINE

图幅

C

图号

CA2F044

比例

NONE

页号

1