

4

3

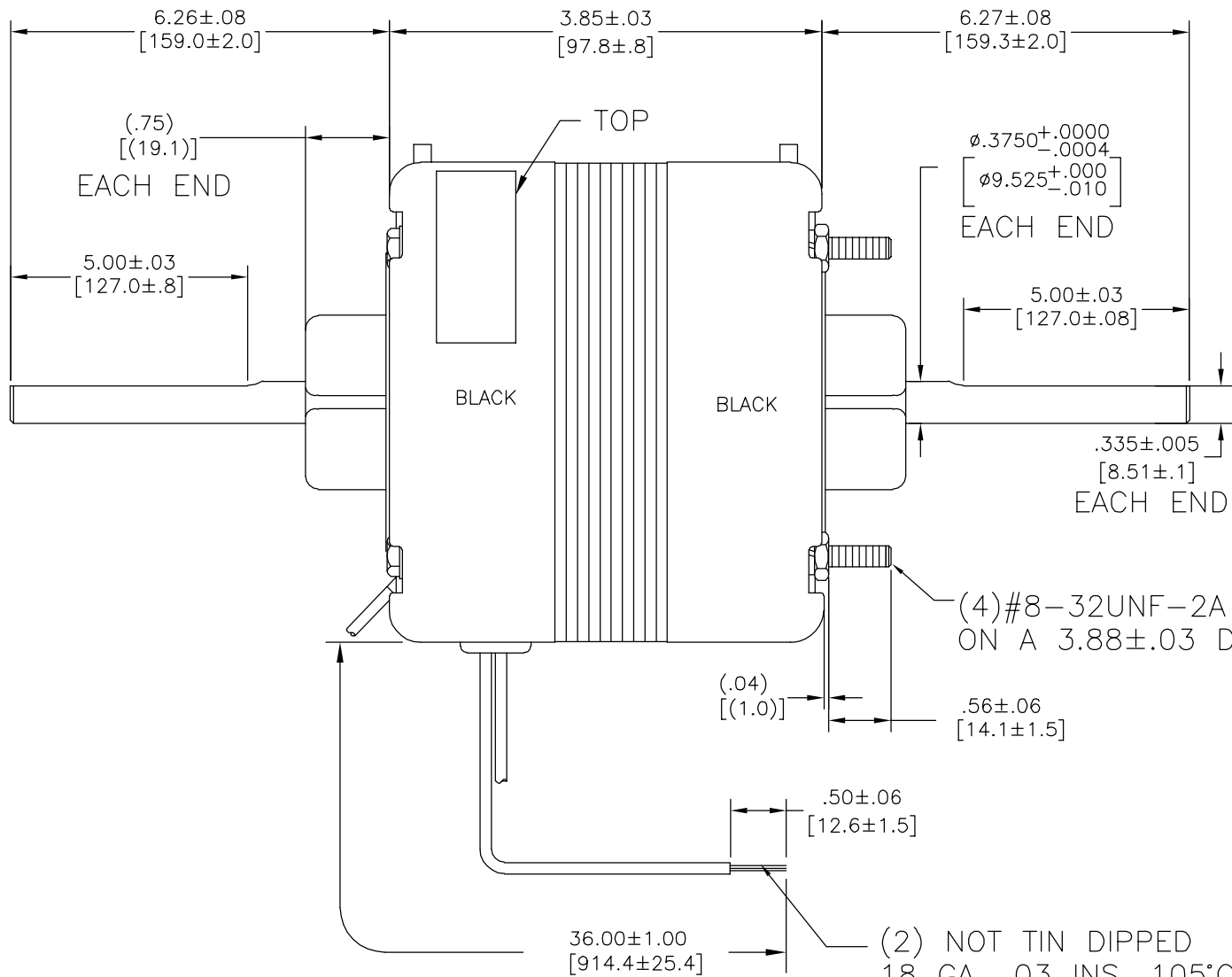
2

1

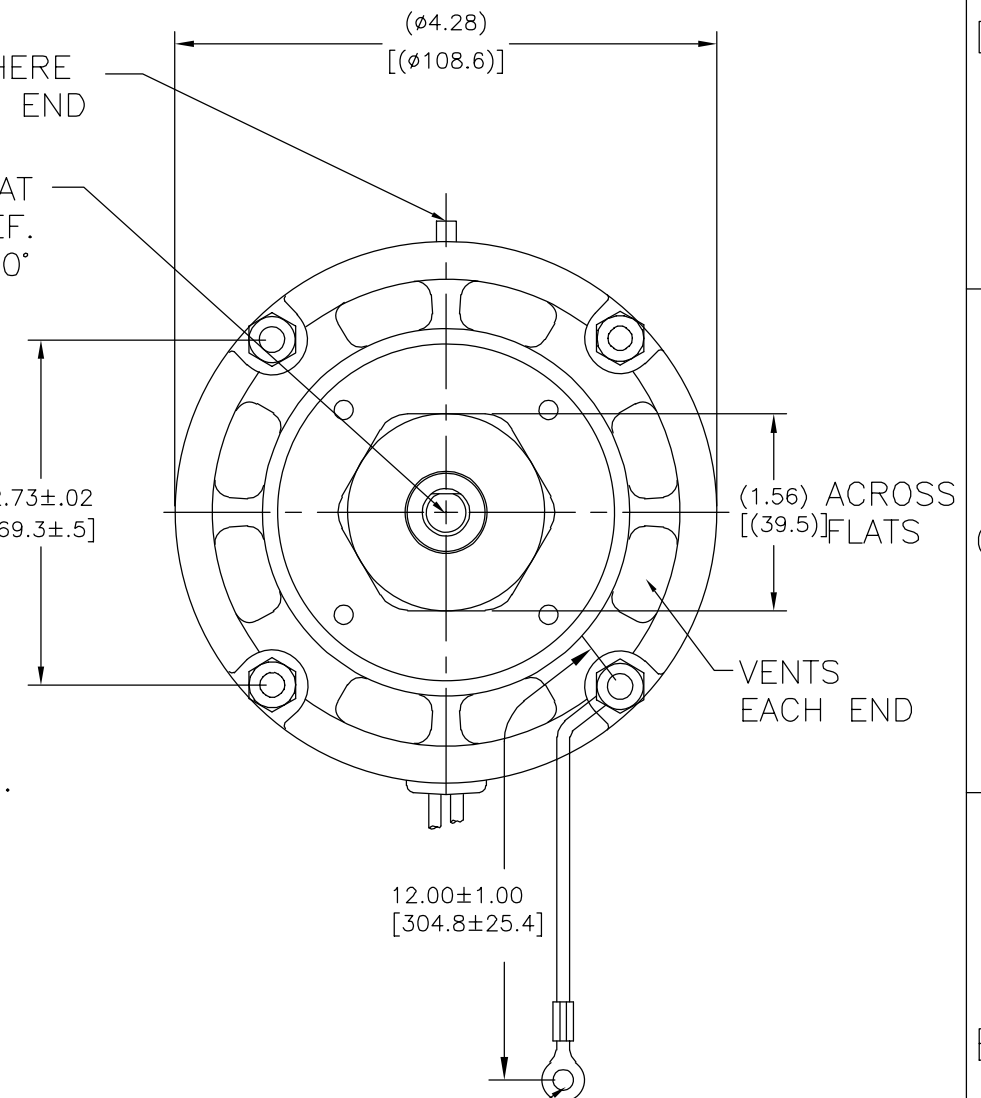
CUSTOMER IS SOLELY RESPONSIBLE FOR MOTOR PERFORMANCE AND SUITABILITY IN APPLICATIONS FOR CUSTOMER'S USES

REV	ECO	REV BY	DATE	APPD	DATE
BF	0027378	H.REN	07-13-2012	B.SHEN	07-13-2012

END PLAY .04[1.0] MAXIMUM



OIL HERE EACH END  
 NP AT 45° REF. FROM 0°



(2) NOT TIN DIPPED  
 18 GA. .03 INS. 105°C  
 PVC LEADS  
 (1) AMP TERM #350436-2  
 FOR #10 SCREW ON GREEN  
 GROUND 18 GA. .03 INS.  
 105°C PVC ON L.E.

NAMEPLATE DATA:



THERMALLY PROTECTED  
 SER. DATE PLT MOD CA2G178N# STOCK NO 53  
 115V 60HZ 2.6A 1550RPM 155W 1/12HP 1PH  
 CONT A.O. ASSEMBLED IN MEXICO

Tipp City, OH



← ROTATION →

CCWLE BOM CHG [BD]

GEOMETRIC CHARACTERISTICS & SYMBOLS	
▭	FLATNESS
-	STRAIGHTNESS
∠	ANGULARITY
⊥	PERPENDICULARITY (SQUARENESS)
//	PARALLELISM
○	ROUNDNESS (CIRCULARITY)
⊘	CYLINDRICITY
△	PROFILE OF ANY SURFACE
∧	PROFILE OF ANY LINE
↗	RUNOUT
⊕	TRUE POSITION
⊙	CONCENTRICITY
≡	SYMMETRY

UNLESS OTHERWISE SPECIFIED  
 DIM. TOLERANCES ARE AS FOLLOWS:  
 INCH X XX XXX XXXX  
 ±.1 ±.02 ±.005 ±.0005  
 mm ±0.5 ±0.13 ±0.013  
 ANG. ±.50 DEG  
 REMOVE BURRS & BREAK SHARP EDGES:  
 INCH .003-.015 mm 0.1-0.4  
 CORNER FILLETS TO:  
 INCH .020 mm 0.5  
 MACHINE SURFACES:  
 INCH 125 mm 3.2  
 METRIC DIMS. SHOWN IN [BRACKETS]

DR BY:  
 APPD:  
 THIRD ANGLE PROJECTION  
 EDS DATE 11-11-2011  
 FORMAT REV H  
 CONFIDENTIAL: THIS DRAWING AND ITS INFORMATION ARE THE EXCLUSIVE AND CONFIDENTIAL PROPERTY OF REGAL-BELOIT CORPORATION AND ARE NOT TO BE DISCLOSED, DUPLICATED, DISTRIBUTED OR OTHERWISE USED WITHOUT THE WRITTEN CONSENT OF REGAL-BELOIT CORPORATION. -ALL RIGHTS RESERVED.

<b>REGAL</b> REGAL-BELOIT CORPORATION	
DESCRIPTION	OUTLINE
SIZE C	DWG NO CA2G178
SCALE NONE	SHEET 1

4

3

2

1

4

3

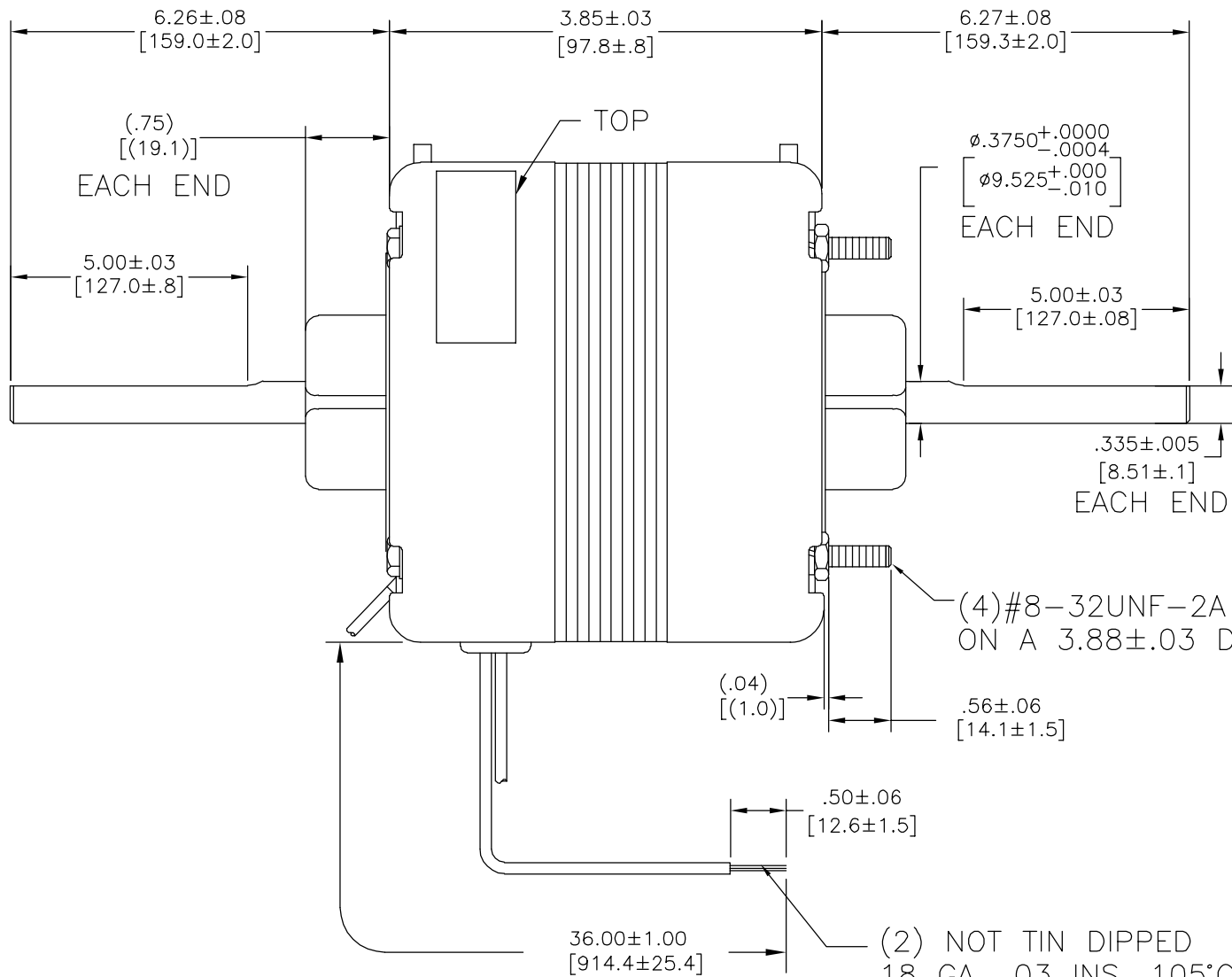
2

1

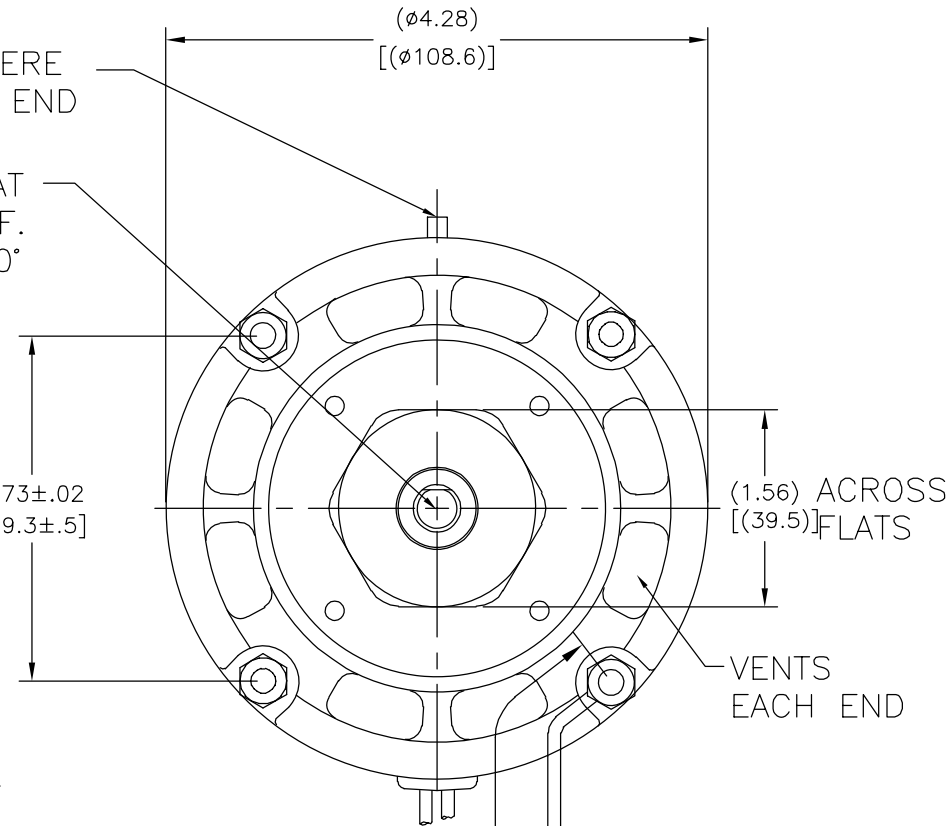
CUSTOMER IS SOLELY RESPONSIBLE FOR MOTOR PERFORMANCE AND SUITABILITY IN APPLICATIONS FOR CUSTOMER'S USES

REVISION:	ECO	REVISADO POR:	FECHA:	APROBADO POR:	FECHA:
BF	0027378	H.REN	07-13-2012	B.SHEN	07-13-2012

END PLAY .04[1.0] MAXIMUM



OIL HERE EACH END  
 NP AT 45° REF. FROM 0°



(4)#8-32UNF-2A ON A 3.88±.03 DIA. B.C.

(2) NOT TIN DIPPED 18 GA. .03 INS. 105°C PVC LEADS

(1) AMP TERM #350436-2 FOR #10 SCREW ON GREEN GROUND 18 GA. .03 INS. 105°C PVC ON L.E.

NAMEPLATE DATA:



THERMALLY PROTECTED

SER. DATE PLT MOD CA2G178N# STOCK NO 53  
 115V 60HZ 2.6A 1550RPM 155W 1/12HP 1PH  
 CONT A.O. ASSEMBLED IN MEXICO

Tipp City, OH



← ROTATION →

CCWLE BOM CHG [BD]

CARACTERISTICAS DE GEOMETRIA Y SIMBOLOS	
□	PLANICIDAD
-	RECTITUD
∠	ANGULARIDAD
⊥	PERPENDICULARIDAD (A ESQUADRA)
//	PARALELISMO
○	REDONDEZ (CIRCULARIDAD)
⊘	CILINDRICIDAD
△	PERFIL DE CUALQUIER SUPERFICIE
∧	PERFIL DE CUALQUIER LINEA
∇	VARIACION
+	POSICION REAL
⊙	CONCENTRICIDAD
=	SIMETRIA

A MENOS QUE SE ESPECIFIQUE DE OTRA MANERA, LAS TOLERANCIAS DE LAS DIMS; SON LAS SIGUIENTES:	
PULG	±.1 ±.02 ±.005 ±.0005
mm	±0.5 ±0.13 ±0.013
ANG. ± 50 GRADOS	
ELIMINAR REBABAS Y ORILLAS FILOSAS DEL BORDE.	
PULG	.003-.015 mm 0.1-0.4
FILETEAR ESQUINA: PULG .020 mm 0.5	
MAQUINAR SUPERFICIES	
PULG	125 mm 3.2
DIMS METRICAS MOSTRADAS [PARENTESIS]	

DIBUJADO POR:	
APROBADO POR:	
TERCER ANGULO DE PROYECCION	FECHA EDS: 11-11-2011
	REV. FORMATO: H
CONFIDENCIAL: ESTE DIBUJO Y SU INFORMACION SON PROPIEDAD DE USO EXCLUSIVO Y CONFIDENCIAL DE REGAL-BELOIT CORPORATION. Y NO DEBERAN SER REVELADOS, DUPLICADOS, DISTRIBUIDOS O USARSE DE OTRA MANERA SIN EL CONSENTIMIENTO ESCRITO DE REGAL-BELOIT CORPORATION. -TODOS LOS DERECHOS RESERVADOS.	

<b>REGAL REGAL-BELOIT CORPORATION</b>	
DESCRIPCION: OUTLINE	
TAMAÑO: C	NUMERO DE DIBUJO: CA2G178
ESCALA: NONE	HOJA: 1

4

3

2

1

4

3

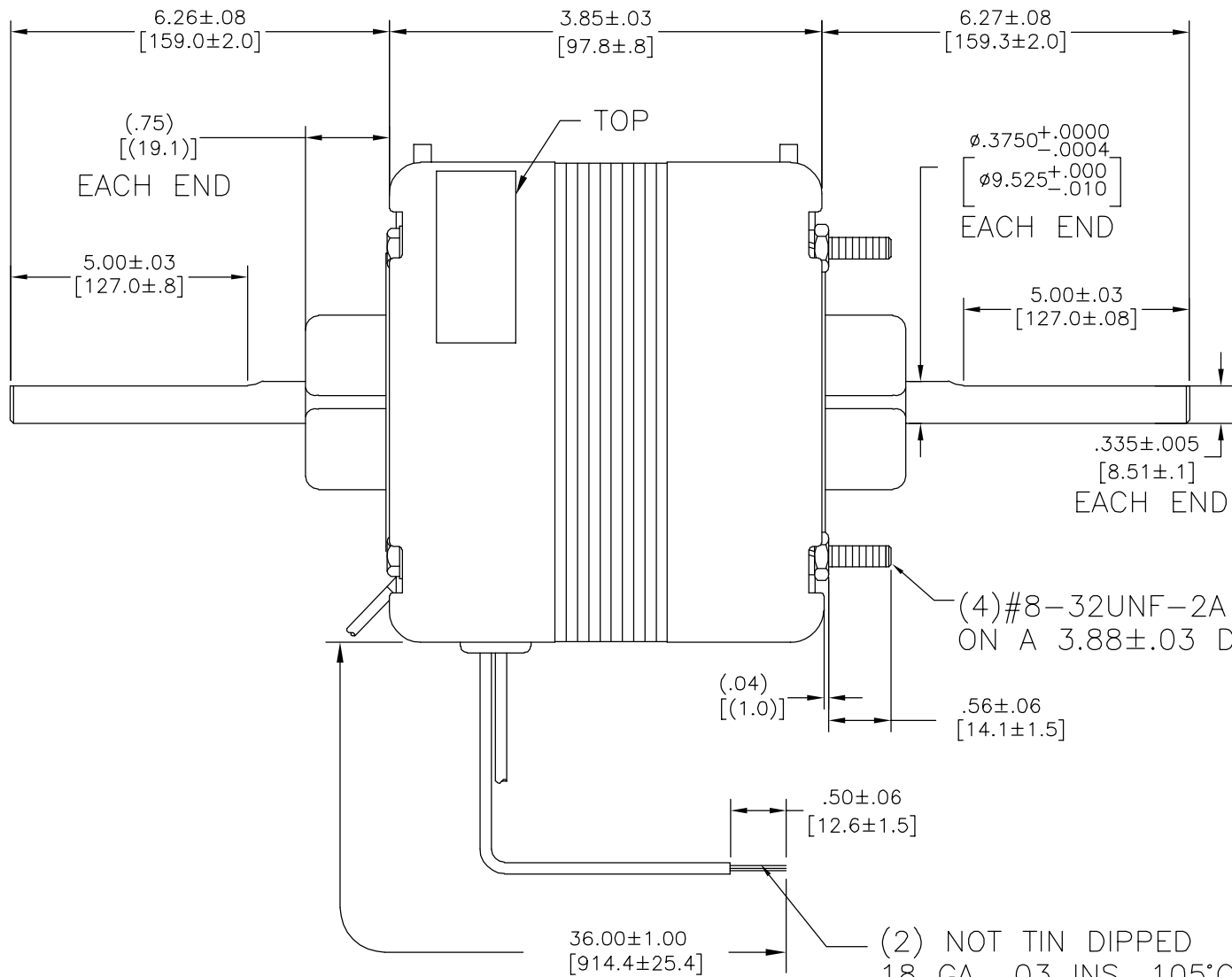
2

1

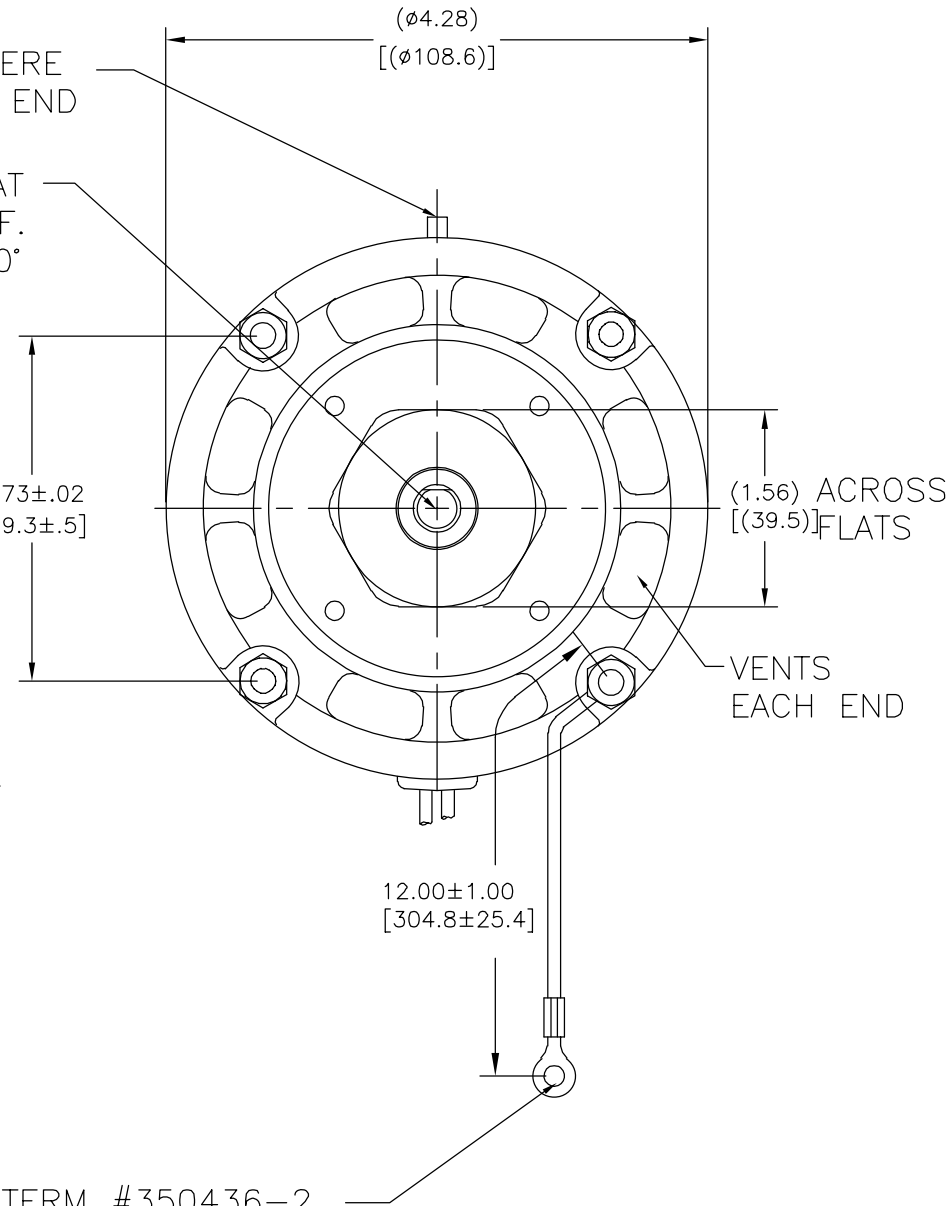
CUSTOMER IS SOLELY RESPONSIBLE FOR MOTOR PERFORMANCE AND SUITABILITY IN APPLICATIONS FOR CUSTOMER'S USES

版本	ECO	编制	日期	批准	日期
BF	0027378	H.REN	07-13-2012	B.SHEN	07-13-2012

END PLAY .04[1.0] MAXIMUM



OIL HERE EACH END  
 NP AT 45° REF. FROM 0°



(4) #8-32UNF-2A ON A 3.88±.03 DIA. B.C.

(2) NOT TIN DIPPED 18 GA. .03 INS. 105°C PVC LEADS

(1) AMP TERM #350436-2 FOR #10 SCREW ON GREEN GROUND 18 GA. .03 INS. 105°C PVC ON L.E.

NAMEPLATE DATA:



THERMALLY PROTECTED

SER. DATE PLT MOD CA2G178N# STOCK NO 53  
 115V 60HZ 2.6A 1550RPM 155W 1/12HP 1PH  
 CONT A.O. ASSEMBLED IN MEXICO

Tipp City, OH



← ROTATION →

CCWLE BOM CHG [BD]

形位公差 □ 平面度 — 直线度 < 倾斜度 ⊥ 垂直度 // 平行度 ○ 圆度 ⊙ 圆柱度 △ 面轮廓度 ⊖ 线轮廓度 ⤴ 圆跳动 ⊕ 位置度 ⊗ 同轴度 ≡ 对称度	除另有注明 尺寸公差如下: 英寸 X XX XXX XXXX ±.1 ±.02 ±.005 ±.0005 毫米 ±0.5 ±0.13 ±0.013 角度 ±.50 度 清理毛刺和尖棱 英寸 .003-.015 毫米 0.1-0.4 内圆角 英寸 .020 毫米 0.5 表面粗糙度 英制 125 米制 3.2 米制尺寸显示在 [ ]
---	--

ASME Y14.5M 1994

绘图:	
批准:	
第三角投影	图纸格式发布日期 11-11-2011 图纸格式版本 H
机密: 本图纸及相关信息所有权归REGAL-BELOIT CORPORATION 未经REGAL-BELOIT CORPORATION书面授权, 不得泄露、 复制、传播或作其他用途。—版权所有	

REGAL-BELOIT CORPORATION	
名称	OUTLINE
图幅	C
图号	CA2G178
比例	NONE
页号	1

4

3

2

1