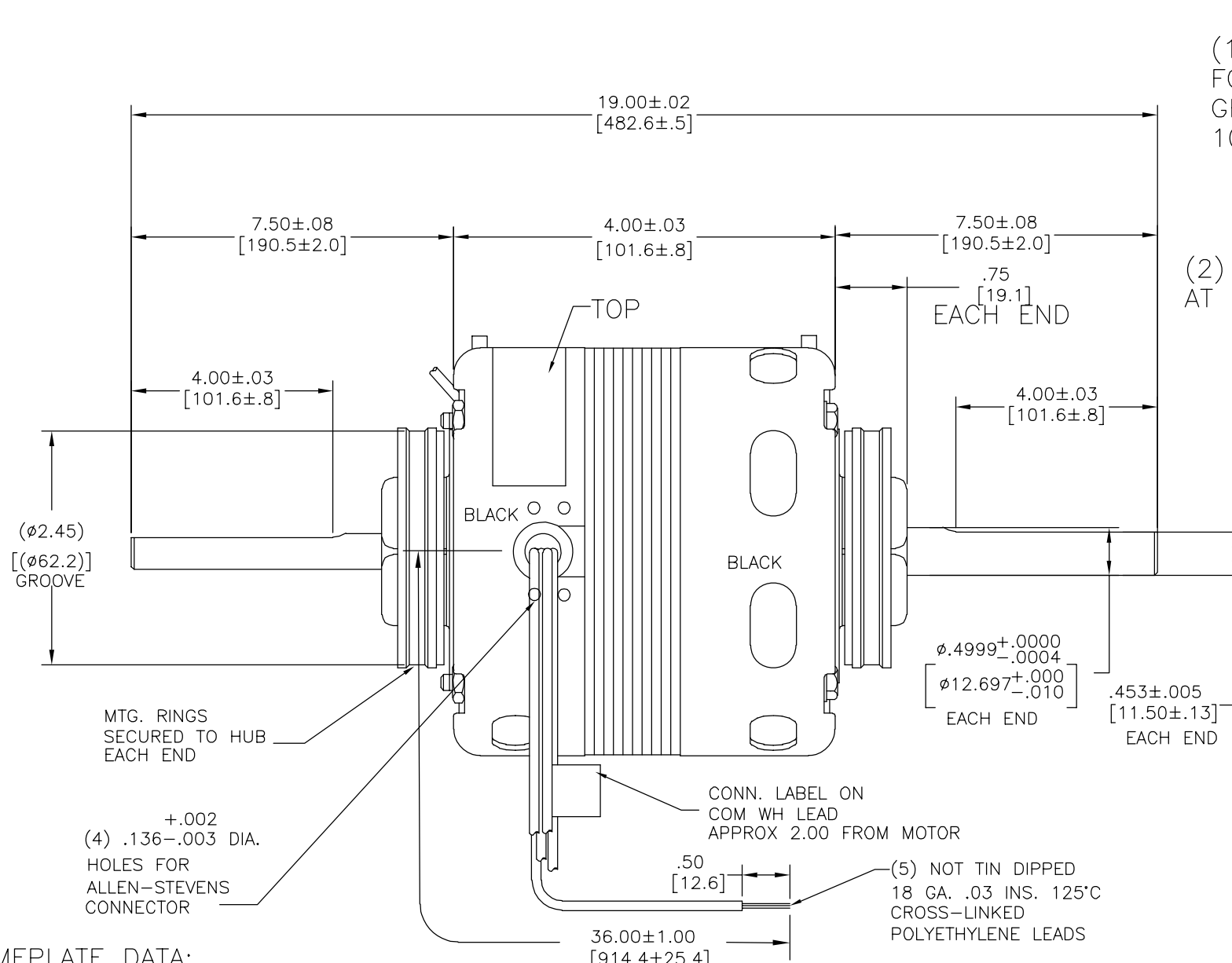
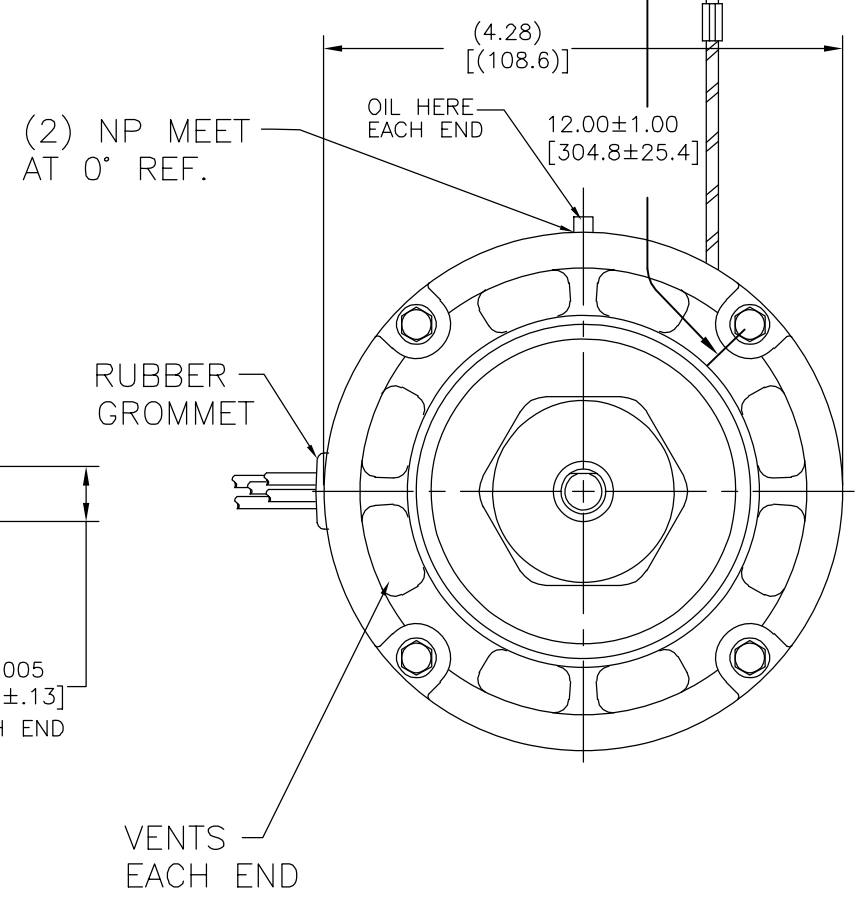


REV	ECO	REV BY	DATE	APPD	DATE
BK	0027378	H.REN	07-13-2012	B.SHEN	07-13-2012



END PLAY .04[1.0] MAXIMUM
 (1) AMP TERM #350436-2 FOR #10 SCREW ON GN/YE GROUND 18 GA. .03 INS. 105°C PVC ON L.E.



NAMEPLATE DATA:



THERMALLY PROTECTED

Tipp City, OH



SER. DATE PLT MOD CA2J180N# STK NO 407
 115V 60HZ 4.8A 1550RPM 1PH CONT AO ←ROT←

BK HIGH 4.8A 1/6HP
 BR MED HI 3.1A 1/9HP
 BU MED 2.6A 1/12HP
 RD LOW 2.3A 1/15HP WH COM

ASSEMBLED IN MEXICO

CONN. LABEL
 63T473J-25

CCWLE

ELECTRICALLY PER
 SAMPLE S-5906C

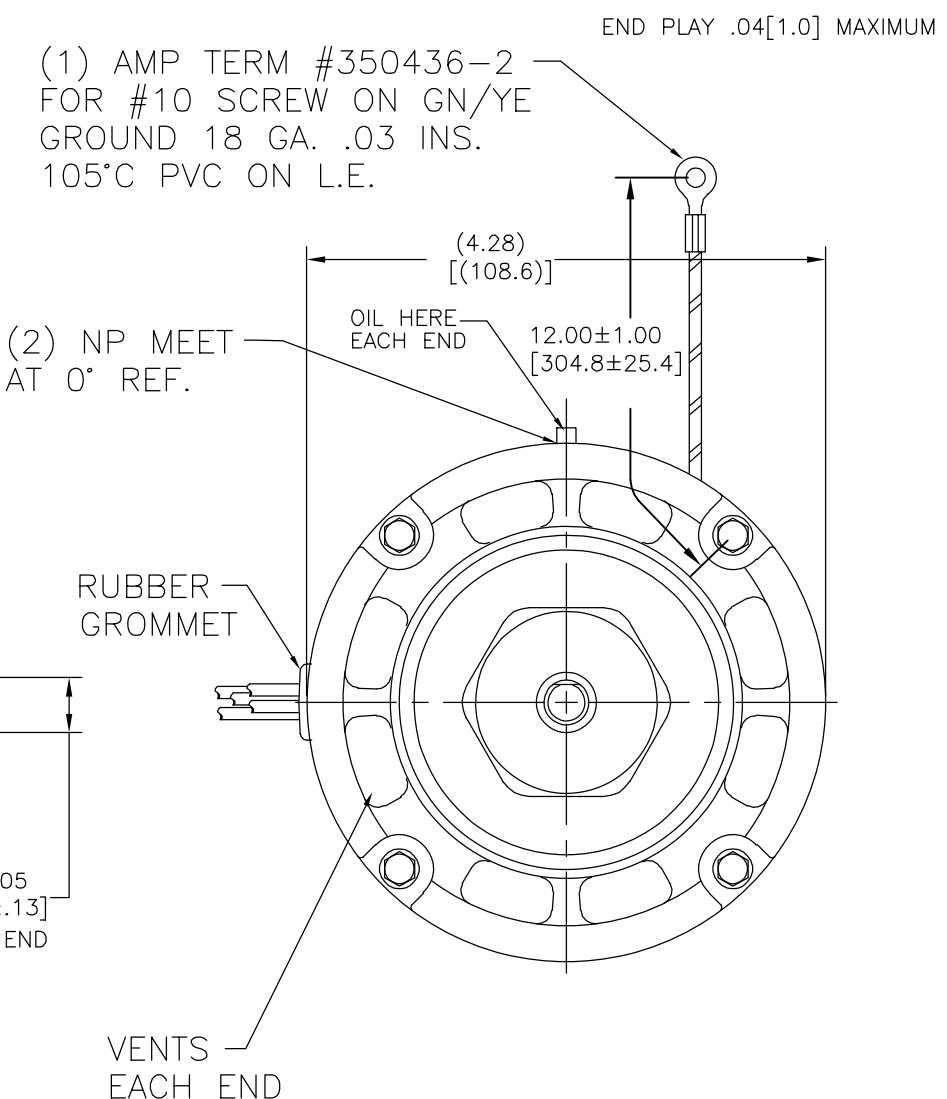
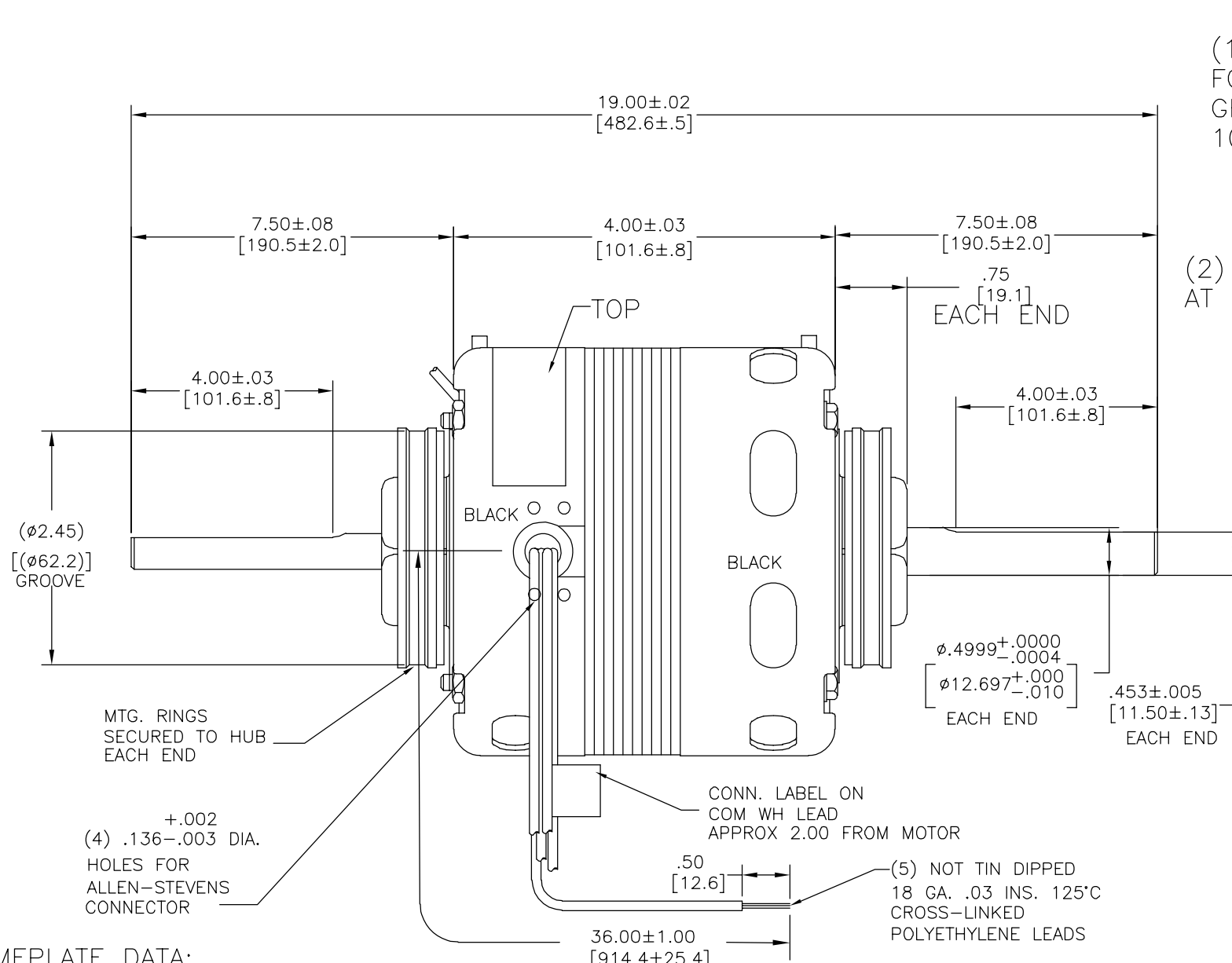
GEOMETRIC CHARACTERISTICS & SYMBOLS	
▭	FLATNESS
-	STRAIGHTNESS
∠	ANGULARITY
⊥	PERPENDICULARITY (SQUARENESS)
//	PARALLELISM
○	ROUNDNESS (CIRCULARITY)
⊘	CYLINDRICITY
△	PROFILE OF ANY SURFACE
∧	PROFILE OF ANY LINE
↗	RUNOUT
⊕	TRUE POSITION
⊙	CONCENTRICITY
≡	SYMMETRY

UNLESS OTHERWISE SPECIFIED DIM. TOLERANCES ARE AS FOLLOWS:	
INCH	±.1 ±.02 ±.005 ±.0005
mm	±0.5 ±0.13 ±0.013
ANG. ±.50 DEG	
REMOVE BURRS & BREAK SHARP EDGES:	
INCH	.003-.015 mm 0.1-0.4
CORNER FILLETS TO:	
INCH	.020 mm 0.5
MACHINE SURFACES:	
INCH	125 mm 3.2
METRIC DIMS. SHOWN IN [BRACKETS]	

DR BY:	
APPD:	
THIRD ANGLE PROJECTION	EDS DATE 11-11-2011 FORMAT REV H
CONFIDENTIAL: THIS DRAWING AND ITS INFORMATION ARE THE EXCLUSIVE AND CONFIDENTIAL PROPERTY OF REGAL-BELOIT CORPORATION AND ARE NOT TO BE DISCLOSED, DUPLICATED, DISTRIBUTED OR OTHERWISE USED WITHOUT THE WRITTEN CONSENT OF REGAL-BELOIT CORPORATION. -ALL RIGHTS RESERVED.	

REGAL REGAL-BELOIT CORPORATION	
DESCRIPTION OUTLINE	
SIZE C	DWG NO CA2J180
SCALE NONE	SHEET 1

REVISION:	ECO	REVISADO POR:	FECHA:	APROBADO POR:	FECHA:
BK	0027378	H.REN	07-13-2012	B.SHEN	07-13-2012



NAMEPLATE DATA:



THERMALLY PROTECTED

Tipp City, OH



SER. DATE PLT MOD CA2J180N# STK NO 407
115V 60HZ 4.8A 1550RPM 1PH CONT AO ←ROT→

BK HIGH 4.8A 1/6HP
BR MED HI 3.1A 1/9HP
BU MED 2.6A 1/12HP
RD LOW 2.3A 1/15HP WH COM

ASSEMBLED
IN MEXICO

CONN. LABEL
63T473J-25

CCWLE

ELECTRICALLY PER
SAMPLE S-5906C

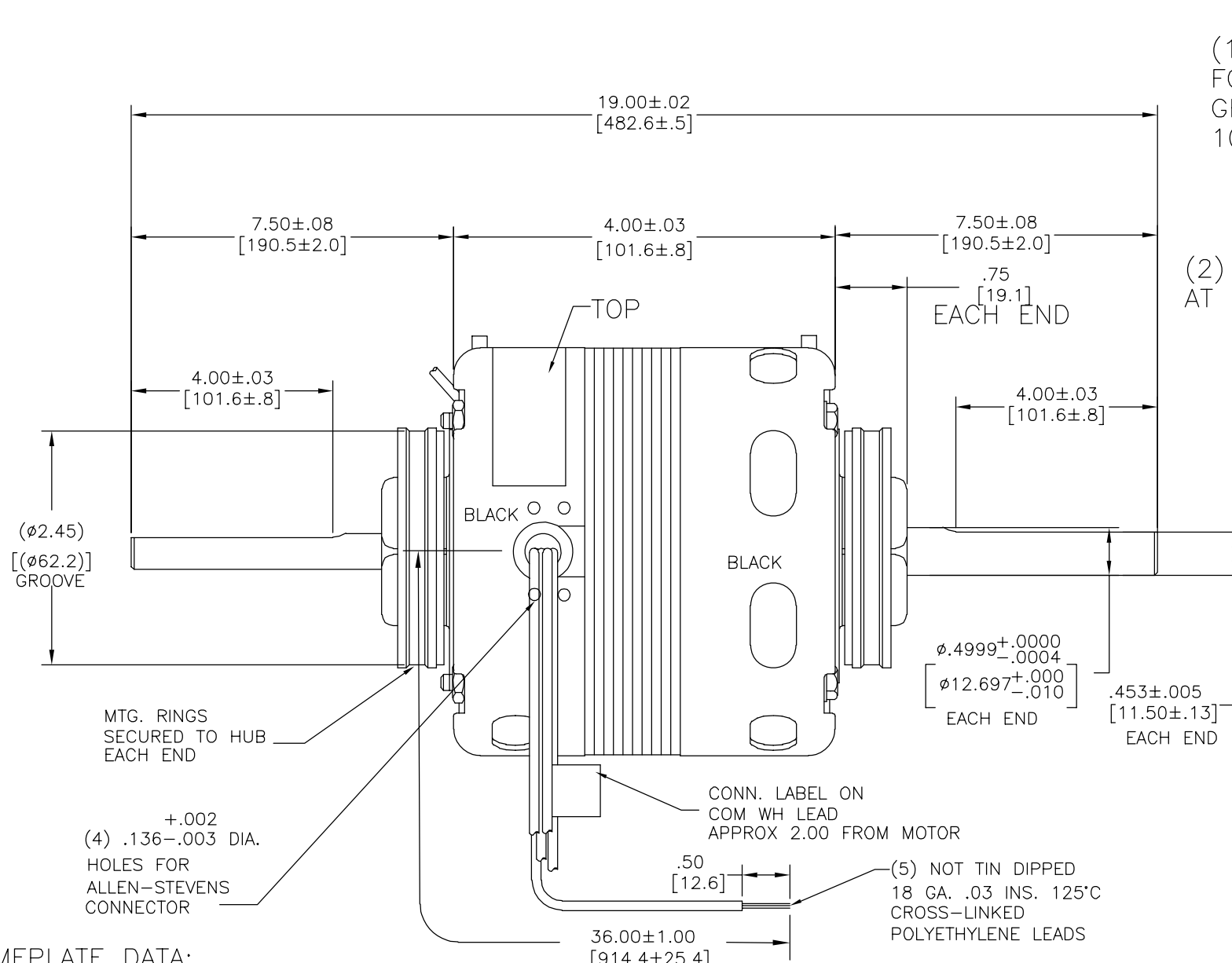
CARACTERISTICAS DE GEOMETRIA Y SIMBOLOS	
□	PLANICIDAD
—	RECTITUD
∠	ANGULARIDAD
⊥	PERPENDICULARIDAD (A ESQUADRA)
//	PARALELISMO
○	REDONDEZ (CIRCULARIDAD)
∅	CILINDRICIDAD
△	PERFIL DE CUALQUIER SUPERFICIE
∧	PERFIL DE CUALQUIER LINEA
↑	VARIACION
+	POSICION REAL
◎	CONCENTRICIDAD
≡	SIMETRIA

A MENOS QUE SE ESPECIFIQUE DE OTRA MANERA, LAS TOLERANCIAS DE LAS DIMS; SON LAS SIGUIENTES:	
PULG	±.1 ±.02 ±.005 ±.0005
mm	±0.5 ±0.13 ±0.013
ANG. ± 50 GRADOS	
ELIMINAR REBABAS Y ORILLAS FILOSAS DEL BORDE.	
PULG	.003-.015 mm 0.1-0.4
FILETEAR ESQUINA: PULG .020 mm 0.5	
MAQUINAR SUPERFICIES	
PULG	125 mm 3.2
DIMS METRICAS MOSTRADAS [PARENTESIS]	

DIBUJADO POR:	
APROBADO POR:	
TERCER ANGULO DE PROYECCION	FECHA EDS: 11-11-2011
	REV. FORMATO: H
CONFIDENCIAL: ESTE DIBUJO Y SU INFORMACION SON PROPIEDAD DE USO EXCLUSIVO Y CONFIDENCIAL DE REGAL-BELOIT CORPORATION. Y NO DEBERAN SER REVELADOS, DUPLICADOS, DISTRIBUIDOS O USARSE DE OTRA MANERA SIN EL CONSENTIMIENTO ESCRITO DE REGAL-BELOIT CORPORATION. -TODOS LOS DERECHOS RESERVADOS.	

REGAL REGAL-BELOIT CORPORATION	
DESCRIPCION: OUTLINE	
TAMAÑO: C	NUMERO DE DIBUJO: CA2J180
ESCALA: NONE	HOJA: 1

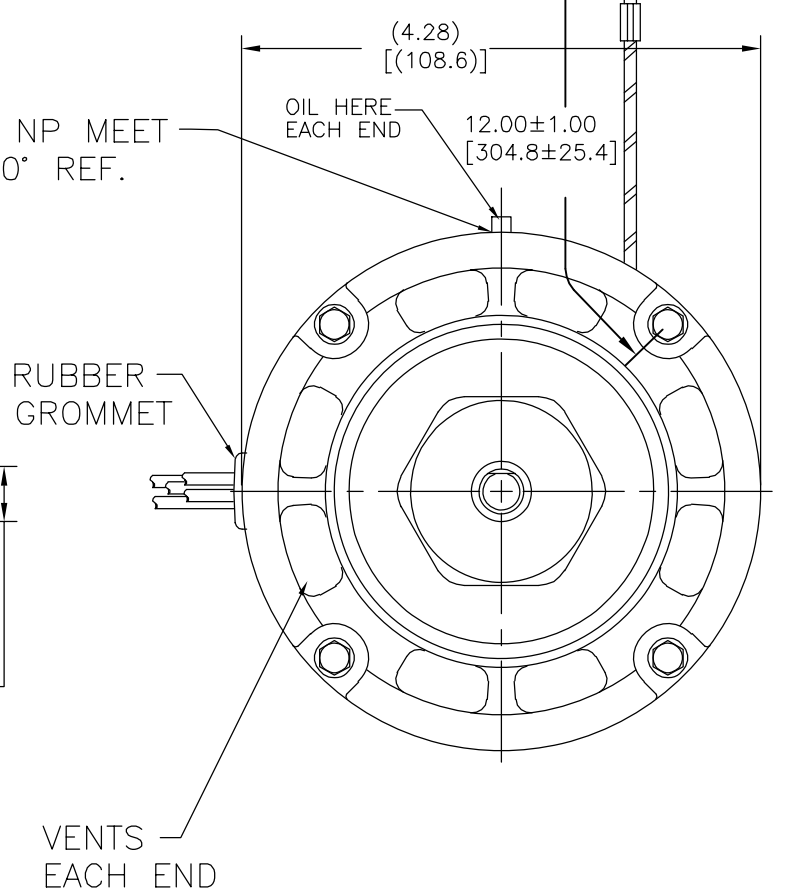
版本	ECO	编制	日期	批准	日期
BK	0027378	H.REN	07-13-2012	B.SHEN	07-13-2012



END PLAY .04[1.0] MAXIMUM

(1) AMP TERM #350436-2 FOR #10 SCREW ON GN/YE GROUND 18 GA. .03 INS. 105°C PVC ON L.E.

(2) NP MEET AT 0° REF.



NAMEPLATE DATA:



THERMALLY PROTECTED

Tipp City, OH



SER. DATE PLT MOD CA2J180N# STK NO 407
115V 60HZ 4.8A 1550RPM 1PH CONT AO ←ROT←

BK HIGH 4.8A 1/6HP ASSEMBLED IN MEXICO
BR MED HI 3.1A 1/9HP
BU MED 2.6A 1/12HP
RD LOW 2.3A 1/15HP WH COM

CONN. LABEL
63T473J-25

CCWLE

ELECTRICALLY PER
SAMPLE S-5906C

形位公差 □ 平面度 — 直线度 ∠ 倾斜度 ⊥ 垂直度 ∥ 平行度 ○ 圆度 ⊘ 圆柱度 △ 面轮廓度 ∩ 线轮廓度 ↗ 圆跳动 ⊕ 位置度 ◎ 同轴度 ≡ 对称度	除另有注明 尺寸公差如下: 英寸 X XX XXX XXXX ±.1 ±.02 ±.005 ±.0005 毫米 ±0.5 ±0.13 ±0.013 角度 ±.50 度 清理毛刺和尖棱 英寸 .003-.015 毫米 0.1-0.4 内圆角 英寸 .020 毫米 0.5 表面粗糙度 英制 125 米制 3.2
--	---

ASME Y14.5M 1994

米制尺寸显示在 []

绘图:	
批准:	
第三角投影	
机密: 本图纸及相关信息所有权归REGAL-BELOIT CORPORATION. 未经REGAL-BELOIT CORPORATION书面授权, 不得泄露、复制、传播或作其他用途。—版权所有	图纸格式发布日期 11-11-2011 图纸格式版本 H

REGAL-BELOIT CORPORATION	
名称	OUTLINE
图幅	C
图号	CA2J180
比例	NONE
页号	1