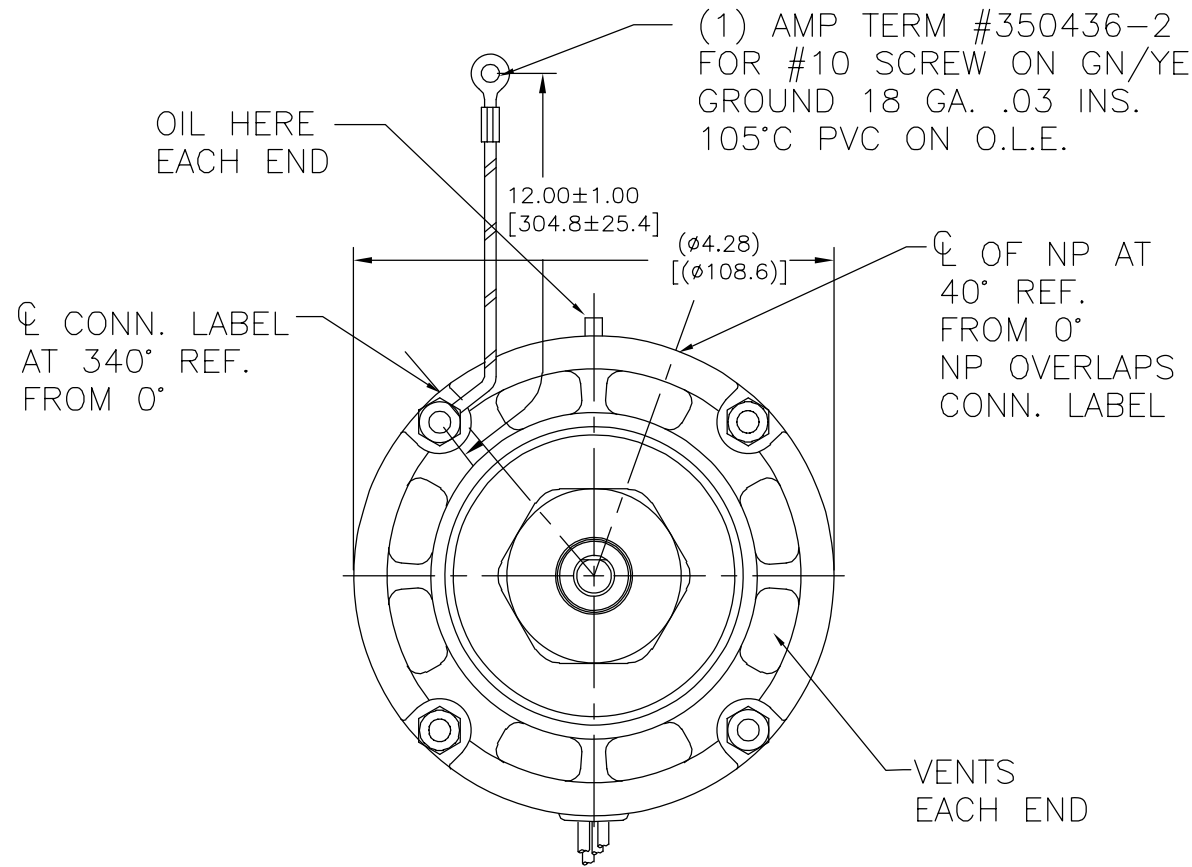
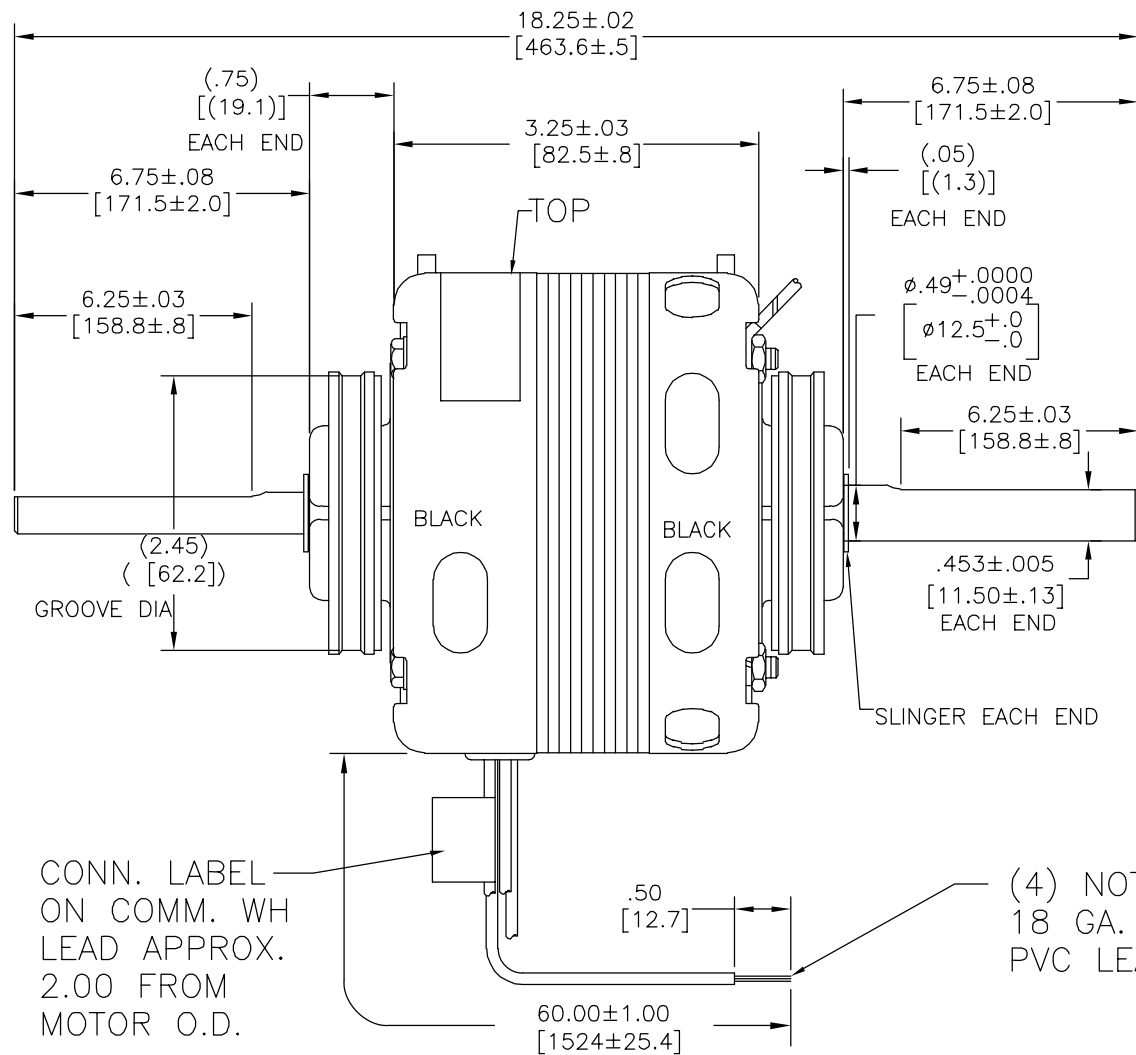


REV	ECO	REV BY	DATE	APPD	DATE
BR	0027378	H.REN	07-13-2012	B.SHEN	07-13-2012

CUSTOMER IS SOLELY RESPONSIBLE FOR MOTOR PERFORMANCE AND SUITABILITY IN APPLICATIONS FOR CUSTOMER'S USES

END PLAY .04 MAX.



(4) NOT TIN DIPPED
18 GA. .03 INS. 105°C
PVC LEADS

NAMEPLATE DATA:



THERMALLY PROTECTED

Tipp City, OH
SF RA

SER. DATE PLT MOD CA2F061N# STOCK NO 420
115V 60HZ 3.3A 1550RPM 1PH CONT A.O.

← ROTATION → ASSEMBLED IN MEXICO

CONN. LABEL
63T473J-8

ELECTRICALLY PER
SAMPLE S-6944C

BLACK HIGH 1/10HP 3.3A
BLUE MEDIUM 1/15HP 2.4A
RED LOW 1/20HP 1.7A
WHITE COMMON

GEOMETRIC CHARACTERISTICS & SYMBOLS

- ▭ FLATNESS
- STRAIGHTNESS
- ∠ ANGULARITY
- ⊥ PERPENDICULARITY (SQUARENESS)
- // PARALLELISM
- ROUNDNESS (CIRCULARITY)
- ⊘ CYLINDRICITY
- △ PROFILE OF ANY SURFACE
- ▽ PROFILE OF ANY LINE
- ↗ RUNOUT
- ⊕ TRUE POSITION
- ⊙ CONCENTRICITY
- ≡ SYMMETRY

ASME Y14.5M 1994

UNLESS OTHERWISE SPECIFIED
DIM. TOLERANCES ARE AS FOLLOWS:

INCH X XX XXX XXXX
±.1 ±.02 ±.005 ±.0005
mm ±0.5 ±0.13 ±0.013

ANG. ±.50 DEG
REMOVE BURRS & BREAK SHARP EDGES:
INCH .003-.015 mm 0.1-0.4

CORNER FILLETS TO:
INCH .020 mm 0.5

MACHINE SURFACES:
INCH 125 mm 3.2

METRIC DIMS. SHOWN IN [BRACKETS]

DR BY:

APPD:

THIRD ANGLE PROJECTION

EDS DATE 11-11-2011
FORMAT REV H

CONFIDENTIAL: THIS DRAWING AND ITS INFORMATION ARE THE EXCLUSIVE AND CONFIDENTIAL PROPERTY OF REGAL-BELOIT CORPORATION AND ARE NOT TO BE DISCLOSED, DUPLICATED, DISTRIBUTED OR OTHERWISE USED WITHOUT THE WRITTEN CONSENT OF REGAL-BELOIT CORPORATION. -ALL RIGHTS RESERVED.



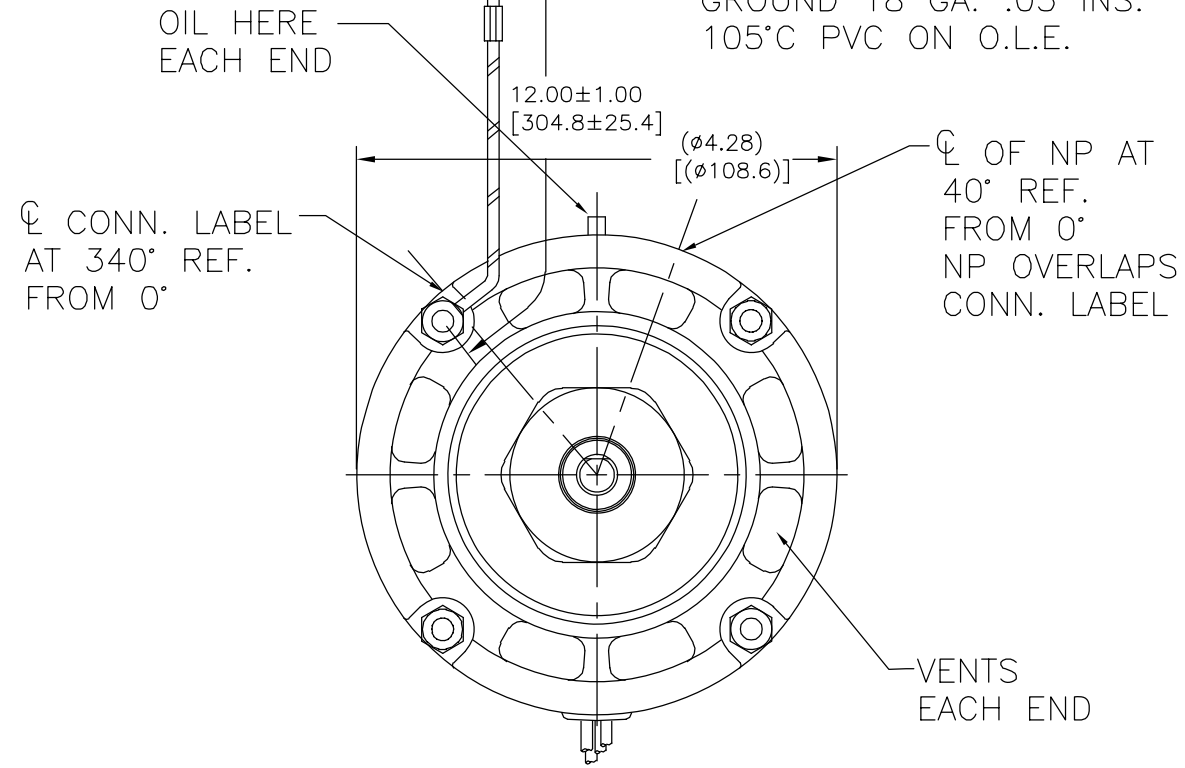
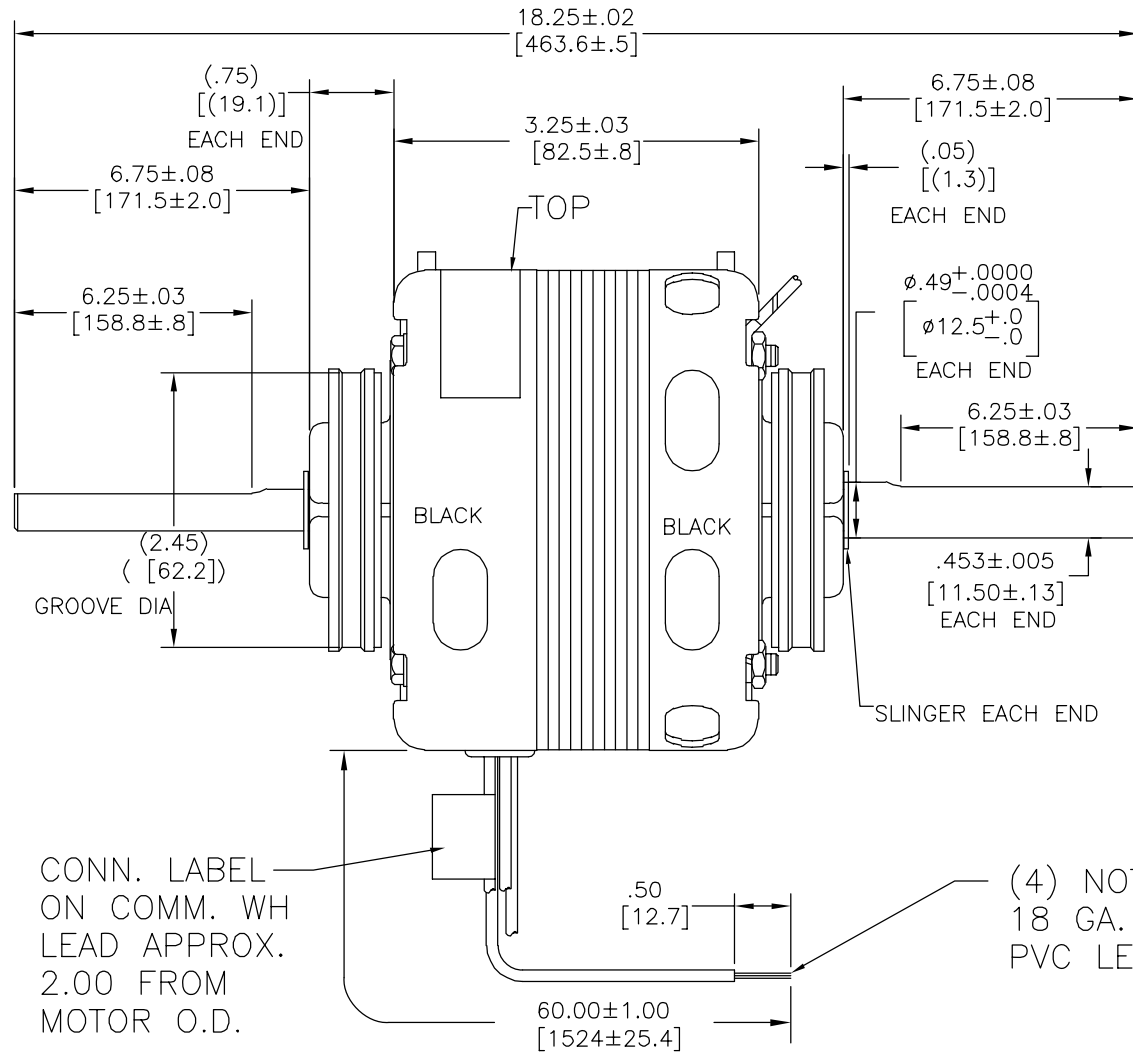
DESCRIPTION		OUTLINE	
SIZE	C	DWG NO	CA2F061
SCALE	NONE	SHEET	1

REVISION:	ECO	REVISADO POR:	FECHA:	APROBADO POR:	FECHA:
BR	0027378	H.REN	07-13-2012	B.SHEN	07-13-2012

CUSTOMER IS SOLELY RESPONSIBLE FOR MOTOR PERFORMANCE AND SUITABILITY IN APPLICATIONS FOR CUSTOMER'S USES

END PLAY .04 MAX.

(1) AMP TERM #350436-2 FOR #10 SCREW ON GN/YE GROUND 18 GA. .03 INS. 105°C PVC ON O.L.E.



(4) NOT TIN DIPPED 18 GA. .03 INS. 105°C PVC LEADS

NAMEPLATE DATA:



THERMALLY PROTECTED

Tipp City, OH

SER. DATE PLT MOD CA2F061N# STOCK NO 420
115V 60HZ 3.3A 1550RPM 1PH CONT A.O.



ASSEMBLED IN MEXICO

CONN. LABEL
63T473J-8

ELECTRICALLY PER
SAMPLE S-6944C

CCWLE

BLACK HIGH 1/10HP 3.3A
BLUE MEDIUM 1/15HP 2.4A
RED LOW 1/20HP 1.7A
WHITE COMMON

CARACTERISTICAS DE GEOMETRIA Y SIMBOLOS

- PLANICIDAD
- RECTITUD
- ∠ ANGULARIDAD
- ⊥ PERPENDICULARIDAD (A ESQUADRA)
- // PARALELISMO
- REDONDEZ (CIRCULARIDAD)
- ∅ CILINDRICIDAD
- △ PERFIL DE CUALQUIER SUPERFICIE
- ∧ PERFIL DE CUALQUIER LINEA
- ∧ VARIACION
- ⊕ POSICION REAL
- ◎ CONCENTRICIDAD
- = SIMETRIA

ASME Y14.5M 1994

A MENOS QUE SE ESPECIFIQUE DE OTRA MANERA, LAS TOLERANCIAS DE LAS DIMS; SON LAS SIGUIENTES:

PULG ±.1 ±.02 ±.005 ±.0005
mm ±0.5 ±0.13 ±0.013

ANG. ±50 GRADOS

ELIMINAR REBABAS Y ORILLAS FILOSAS DEL BORDE.

PULG .003-.015 mm 0.1-0.4

FILETEAR ESQUINA: PULG .020 mm 0.5

MAQUINAR SUPERFICIES

PULG 125 mm 3.2

DIMS METRICAS MOSTRADAS [PARENTESIS]

DIBUJADO POR:

APROBADO POR:

TERCER ANGULO DE PROYECCION

FECHA EDS: 11-11-2011

REV. FORMATO: H

CONFIDENCIAL: ESTE DIBUJO Y SU INFORMACION SON PROPIEDAD DE USO EXCLUSIVO Y CONFIDENCIAL DE REGAL-BELOIT CORPORATION. Y NO DEBERAN SER REVELADOS, DUPLICADOS, DISTRIBUIDOS O USARSE DE OTRA MANERA SIN EL CONSENTIMIENTO ESCRITO DE REGAL-BELOIT CORPORATION. -TODOS LOS DERECHOS RESERVADOS.

REGAL REGAL-BELOIT CORPORATION

DESCRIPCION: OUTLINE

TAMAÑO: C NUMERO DE DIBUJO: CA2F061

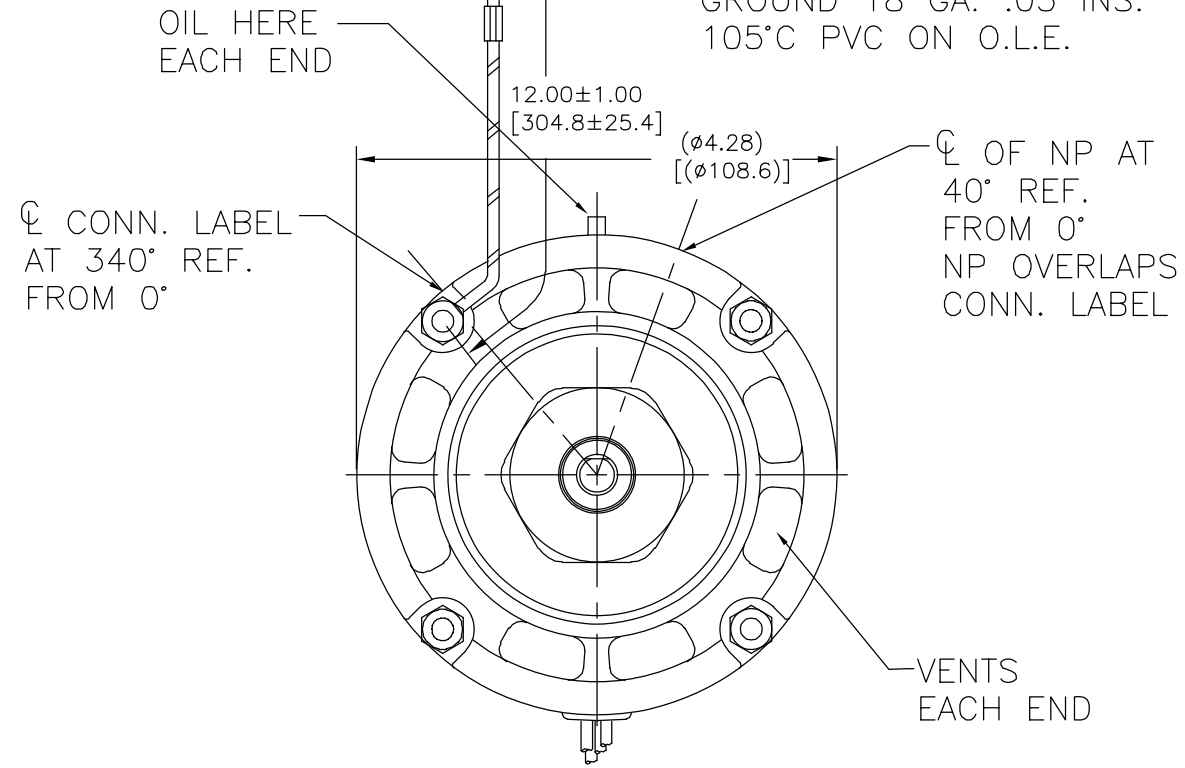
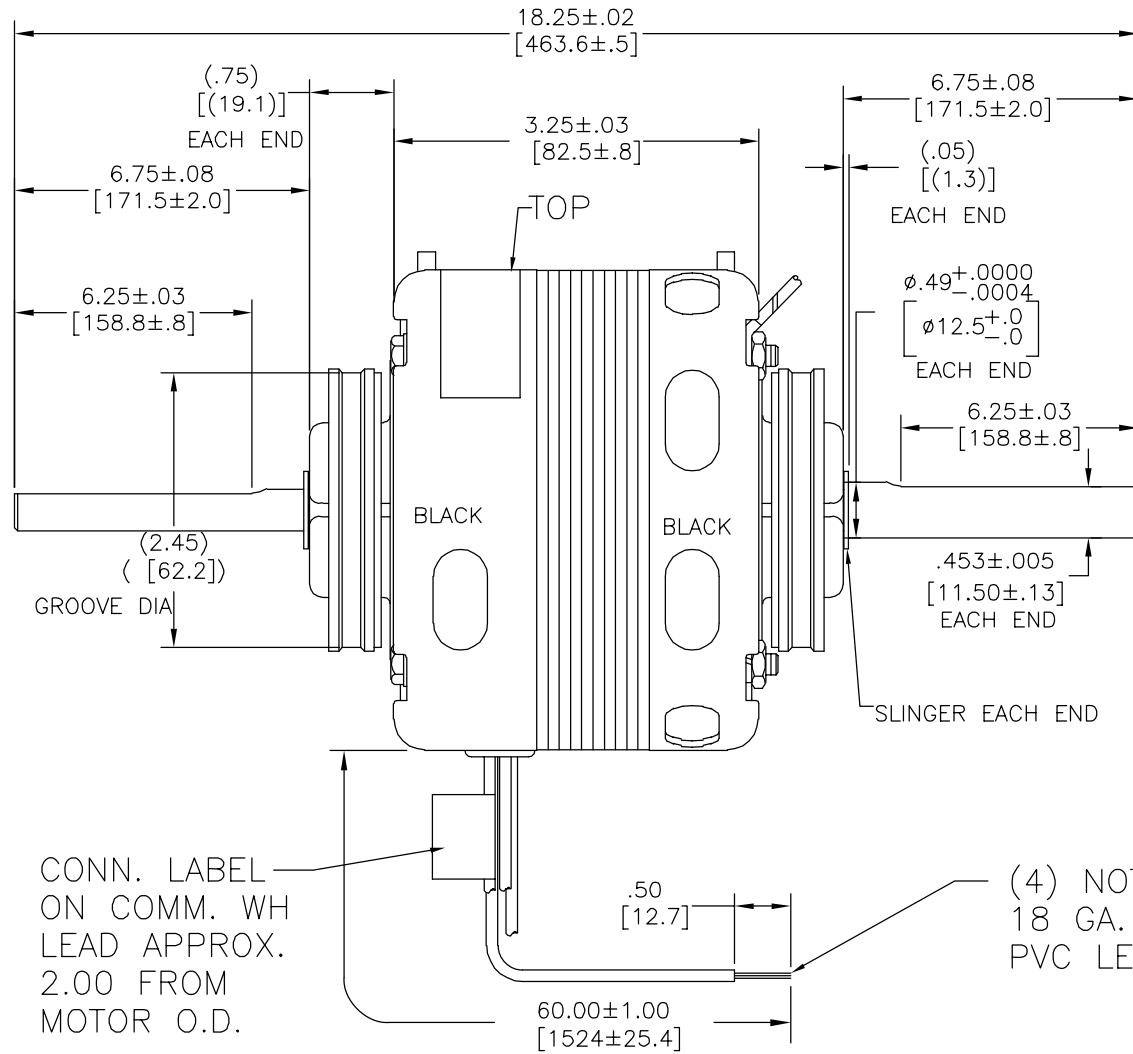
ESCALA: NONE HOJA: 1

版本	ECO	编制	日期	批准	日期
BR	0027378	H.REN	07-13-2012	B.SHEN	07-13-2012

CUSTOMER IS SOLELY RESPONSIBLE FOR MOTOR PERFORMANCE AND SUITABILITY IN APPLICATIONS FOR CUSTOMER'S USES

END PLAY .04 MAX.

(1) AMP TERM #350436-2 FOR #10 SCREW ON GN/YE GROUND 18 GA. .03 INS. 105°C PVC ON O.L.E.



CONN. LABEL ON COMM. WH LEAD APPROX. 2.00 FROM MOTOR O.D.

(4) NOT TIN DIPPED 18 GA. .03 INS. 105°C PVC LEADS

NAMEPLATE DATA:



THERMALLY PROTECTED

Tipp City, OH

SER. DATE PLT MOD CA2F061N# STOCK NO 420
115V 60HZ 3.3A 1550RPM 1PH CONT A.O.

← ROTATION →

ASSEMBLED IN MEXICO

CONN. LABEL
63T473J-8

ELECTRICALLY PER
SAMPLE S-6944C

CCWLE

BLACK HIGH 1/10HP 3.3A
BLUE MEDIUM 1/15HP 2.4A
RED LOW 1/20HP 1.7A
WHITE COMMON

形位公差	除另有注明
□ 平面度	尺寸公差如下:
— 直线度	英寸 X XX XXX XXXX
∠ 倾斜度	英寸 ±.1 ±.02 ±.005 ±.0005
⊥ 垂直度	毫米 ±0.5 ±0.13 ±0.013
// 平行度	角度 ±.50 度
○ 圆度	清理毛刺和尖棱
⊘ 圆柱度	英寸 .003-.015 毫米 0.1-0.4
⊖ 面轮廓度	内圆角
⊕ 线轮廓度	英寸 .020 毫米 0.5
⌒ 圆跳动	表面粗糙度
⊕ 位置度	英制 125 米制 3.2
⊙ 同轴度	米制尺寸显示在 []
≡ 对称度	

ASME Y14.5M 1994

除另有注明	尺寸公差如下:
英寸 X XX XXX XXXX	
英寸 ±.1 ±.02 ±.005 ±.0005	
毫米 ±0.5 ±0.13 ±0.013	
角度 ±.50 度	
清理毛刺和尖棱	
英寸 .003-.015 毫米 0.1-0.4	
内圆角	
英寸 .020 毫米 0.5	
表面粗糙度	
英制 125 米制 3.2	
米制尺寸显示在 []	

绘图:	
批准:	
第三角投影	图纸格式发布日期 11-11-2011 图纸格式版本 H
机密: 本图纸及相关信息所有权归REGAL-BELOIT CORPORATION. 未经REGAL-BELOIT CORPORATION书面授权, 不得泄露、复制、传播或作其他用途。一版权所有	

REGAL REGAL-BELOIT CORPORATION	
名称	OUTLINE
图幅	C
图号	CA2F061
比例	NONE
页号	1