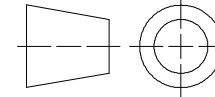




Gainsborough, Lincs DN21 1XU. UK
Tel.: +44(0)1427 614141 Fax.: +44(0)1427 617513

PROPRIETARY INFORMATION NOTICE:
THIS DOCUMENT IS AND CONTAINS CONFIDENTIAL TRADE SECRET INFORMATION OF THE COMPANY AND REMAINS THE PROPERTY OF THE COMPANY AND IS TO BE RETURNED UPON REQUEST. NEITHER IT NOR THE INFORMATION IT CONTAINS MAY BE REPRODUCED OR DISCLOSED TO PERSONS NOT HAVING A NEED-TO-KNOW CONSISTENT WITH THE PURPOSE OF THE LOAN OF THE DOCUMENT.

THIRD ANGLE PROJECTION



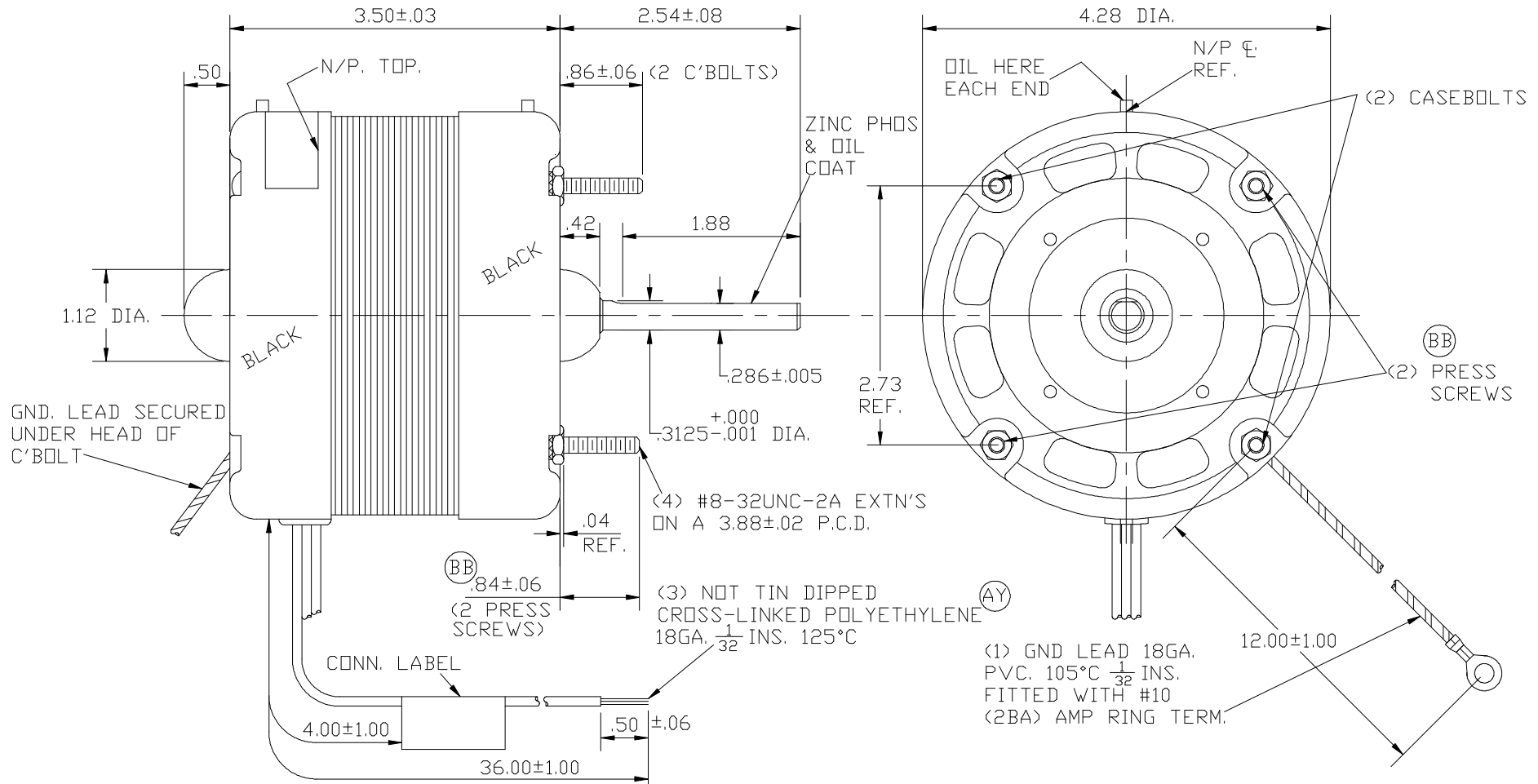
CA3G080N#

STOCK NO.: 305

CUSTOMER IS SOLELY RESPONSIBLE FOR MOTOR PERFORMANCE AND SUITABILITY IN APPLICATIONS FOR CUSTOMER'S USES.

ENDPLAY .04 MAX.

TOL. ±.015



ALL DIMENSIONS IN INCHES UNLESS STATED.

ELEC. AS SAMPLE P03173/6291

ROTATION CCWLE-CWSE

ISSUE 'BD' 12 JUL 12

REGAL - LAVERGNE

NAMEPLATE DATA:

E46412

SER DDDYYGB-sonum-G080 MOD CA3G080N# STOCK No 305
 115V 60HZ 1.1A 1050RPM 1PH CONT A.O.
 BK-HIGH 1.1A 1/40HP. RD-LOW 0.7A 1/65HP. WH-COM
 THERMALLY PROTECTED. MADE IN UK. WARRANTY VOID IF REMOVED

SCHEMATIC

