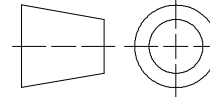




PROPRIETARY INFORMATION NOTICE: THIS DOCUMENT IS AND CONTAINS CONFIDENTIAL TRADE SECRET INFORMATION OF THE COMPANY AND REMAINS THE PROPERTY OF THE COMPANY AND IS TO BE RETURNED UPON REQUEST. NEITHER IT NOR THE INFORMATION IT CONTAINS MAY BE REPRODUCED OR DISCLOSED TO PERSONS NOT HAVING A NEED-TO-KNOW CONSISTENT WITH THE PURPOSE OF THE LOAN OF THE DOCUMENT.

THIRD ANGLE PROJECTION



CA3J636N#

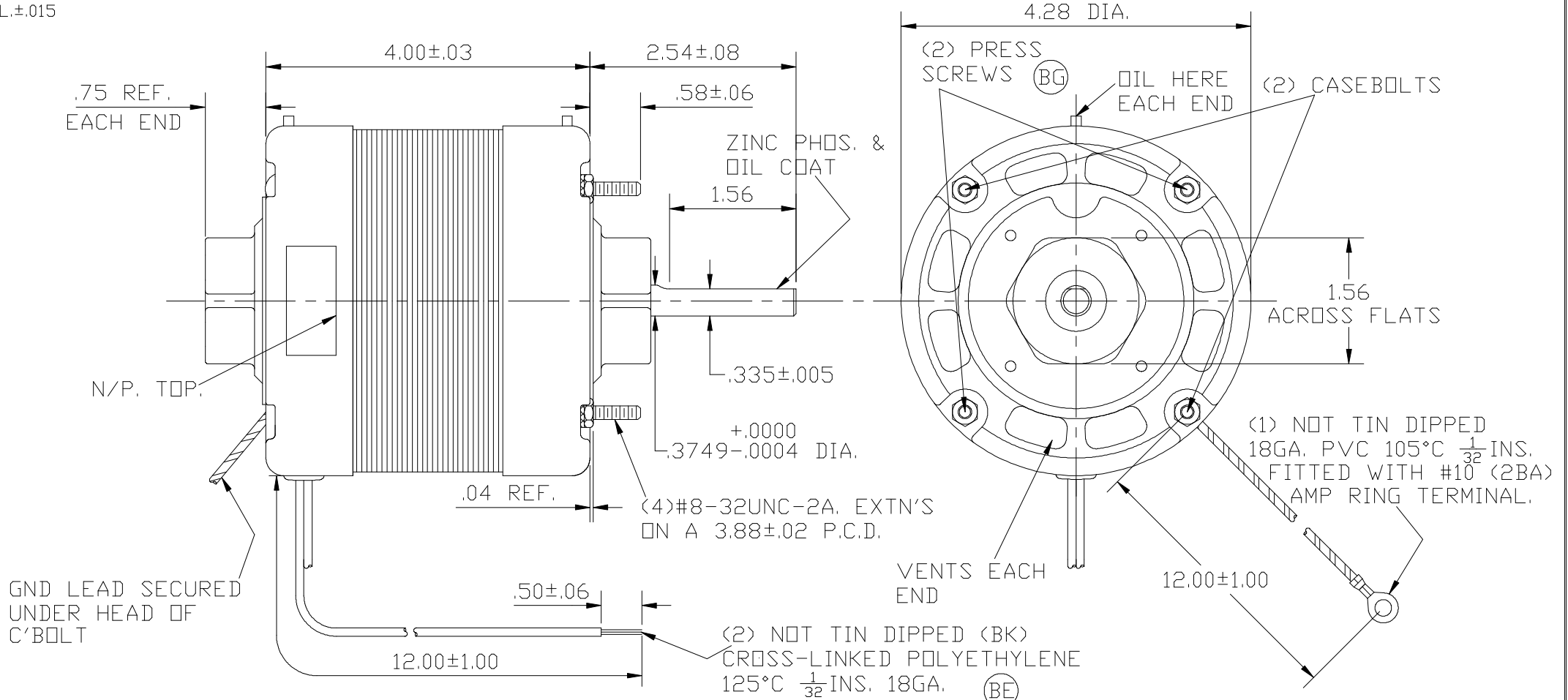
STOCK NO.: 50

Gainsborough, Lincs DN21 1XU. UK  
Tel.: +44(0)1427 614141 Fax.: +44(0)1427 617513

CUSTOMER IS SOLELY RESPONSIBLE FOR MOTOR PERFORMANCE AND SUITABILITY IN APPLICATIONS FOR CUSTOMER'S USES.

ENDPLAY .04 MAX.

TOL.±.015



ALL DIMENSIONS IN INCHES UNLESS STATED.

ELEC. AS SAMPLE P03168

ROTATION CCWLE - CWSE

ISSUE 'BL' 18 JUL 12

REGAL - LAVERGNE

NAMEPLATE DATA:

E46412  
 SER DDDYYGB-sonum-J636 MOD CA3J636N# STOCK No 50  
 115V 60HZ 2.5A 1/15HP 1050RPM 1PH  
 CONT A.O. ←  
 THERMALLY PROTECTED. MADE IN UK. WARRANTY VOID IF REMOVED