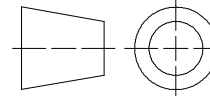




PROPRIETARY INFORMATION NOTICE: THIS DOCUMENT IS AND CONTAINS CONFIDENTIAL TRADE SECRET INFORMATION OF THE COMPANY AND REMAINS THE PROPERTY OF THE COMPANY AND IS TO BE RETURNED UPON REQUEST. NEITHER IT NOR THE INFORMATION IT CONTAINS MAY BE REPRODUCED OR DISCLOSED TO PERSONS NOT HAVING A NEED-TO-KNOW CONSISTENT WITH THE PURPOSE OF THE LOAN OF THE DOCUMENT.

THIRD ANGLE PROJECTION



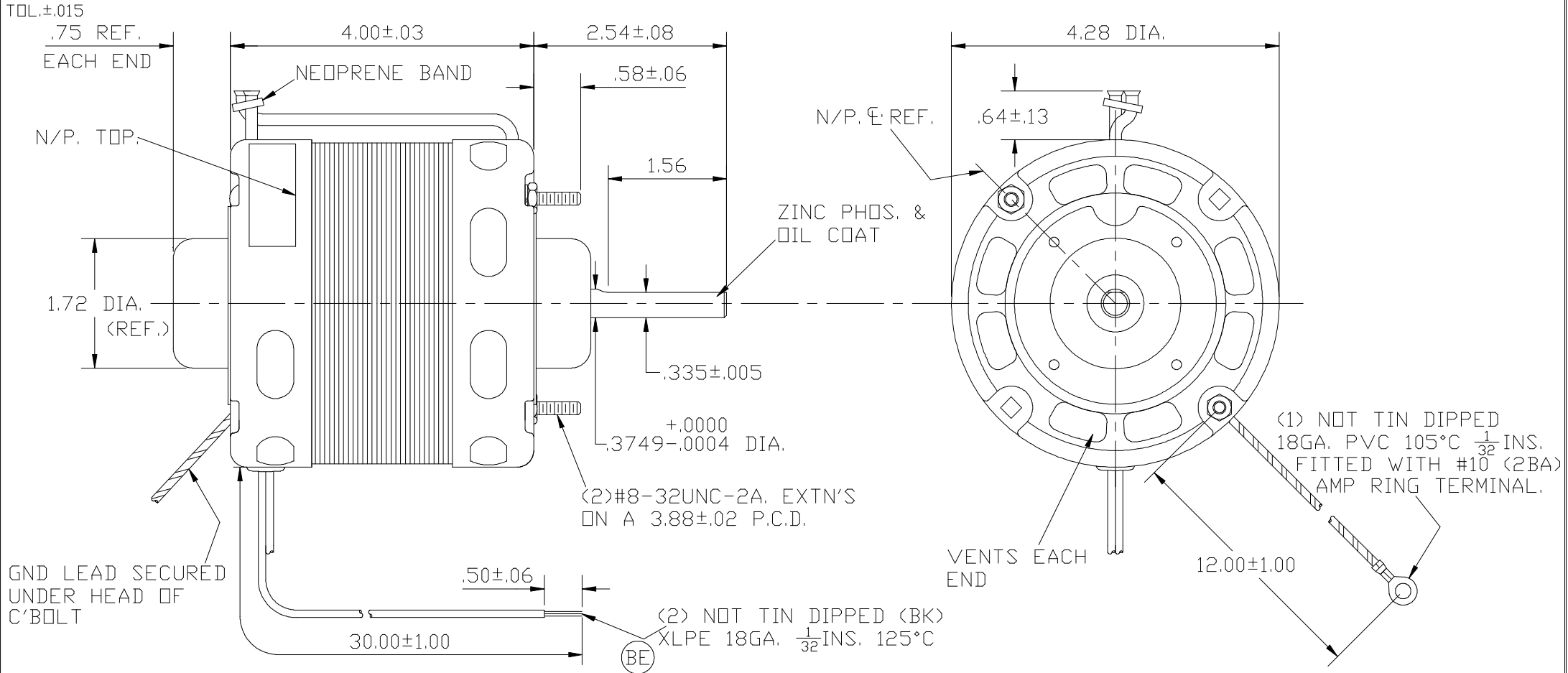
CA3J686N#

STOCK NO.: 309

Gainsborough, Lincs DN21 1XU. UK
Tel.: +44(0)1427 614141 Fax.: +44(0)1427 617513

CUSTOMER IS SOLELY RESPONSIBLE FOR MOTOR PERFORMANCE AND SUITABILITY IN APPLICATIONS FOR CUSTOMER'S USES.

ENDPLAY .04 MAX.



ALL DIMENSIONS IN INCHES UNLESS STATED.

ELEC. AS SAMPLE P03166



ROTATION CWLE-CCWSE

ISSUE 'BF' 16 JUL 12


REGAL - LAVERGNE



NAMEPLATE DATA:

E46412

SER DDDYYGB-sonum-J686 MOD CA3J686N# STOCK No 309
 230V 60HZ 2.2A 1/10HP 850RPM 1PH
 CONT A.O. 
 THERMALLY PROTECTED. MADE IN UK. WARRANTY VOID IF REMOVED