



# WORLDWIDE ELECTRIC MOTOR DATA SHEET

## EP60-18-364TC



HORSEPOWER	<b>60</b>		
RPM / POLES	<b>1800 / 4</b>		
VOLTAGE / PHASE	<b>230 / 460 V / 3</b>		
FRAME	<b>364TC</b>		
ENCLOSURE / DEGREE OF PROTECTION	<b>TEFC / IP55</b>		
FREQUENCY	<b>60 HZ Suitable For 50 HZ Operation With 1.0 SF</b>		
FULL LOAD SPEED	<b>1780 RPM</b>		
SERVICE FACTOR	<b>1.25 SF at 40° C / 1.0 SF at 55° C</b>		
INSULATION CLASS	<b>F</b>		
FULL LOAD AMPS; 230 / 460	<b>137.6 / 68.8 A</b>		
LOCKED ROTOR AMPS (STARTING); 230 / 460	<b>870 / 435 A</b>		
NO LOAD CURRENT	<b>49.5 / 24.25 A</b>		
NEMA CODE LETTER	<b>G</b>		
EFFICIENCY / POWER FACTOR	<u>LOAD</u>	<u>EFF.</u>	<u>P.F.</u>
	<b>100%</b>	<b>95.1%</b>	<b>0.86</b>
	<b>75%</b>	<b>95.0%</b>	<b>0.83</b>
	<b>50%</b>	<b>90.2%</b>	<b>0.79</b>
DUTY CYCLE	<b>S1 / Continuous</b>		
TORQUE	<u>FULL LOAD</u>	<u>LRT</u>	<u>BDT</u>
	<b>178.0 lb.ft.</b>	<b>210%</b>	<b>270%</b>
SLIP	<b>0.60%</b>		
NEMA DESIGN	<b>B</b>		
MOMENT OF INERTIA	<b>15.66 lb.ft.<sup>2</sup></b>		
NUMBER OF STARTS (Hot / Cold)	<b>2 Hot / 3 Cold</b>		
MAX. AMBIENT TEMPERATURE	<b>40° C at 1.25 SF / 55° C at 1.0 SF</b>		
MAX. ELEVATION	<b>3300 Ft. Above Sea Level</b>		
TEMPERATURE RISE (At Full Load)	<b>80° C</b>		
DE BEARING	<b>6313</b>		
ODE BEARING	<b>6312</b>		
GREASE TYPE	<b>Mobil Polyrex EM</b>		
MOUNTING	<b>F1 (F2 Suitable)</b>		
ROTATION	<b>Bi-Directional</b>		
APPROXIMATE WEIGHT	<b>805 lbs.</b>		
AREA CLASSIFICATION	<b>Class I, Division 2, Groups A, B, C, D</b>		
INVERTER RATING	<b>10:1 CT / 20:1 VT PWM Type</b>		
SPECIFICATION - In Accordance With	<b>NEMA, CSA</b>		



**CC067A**

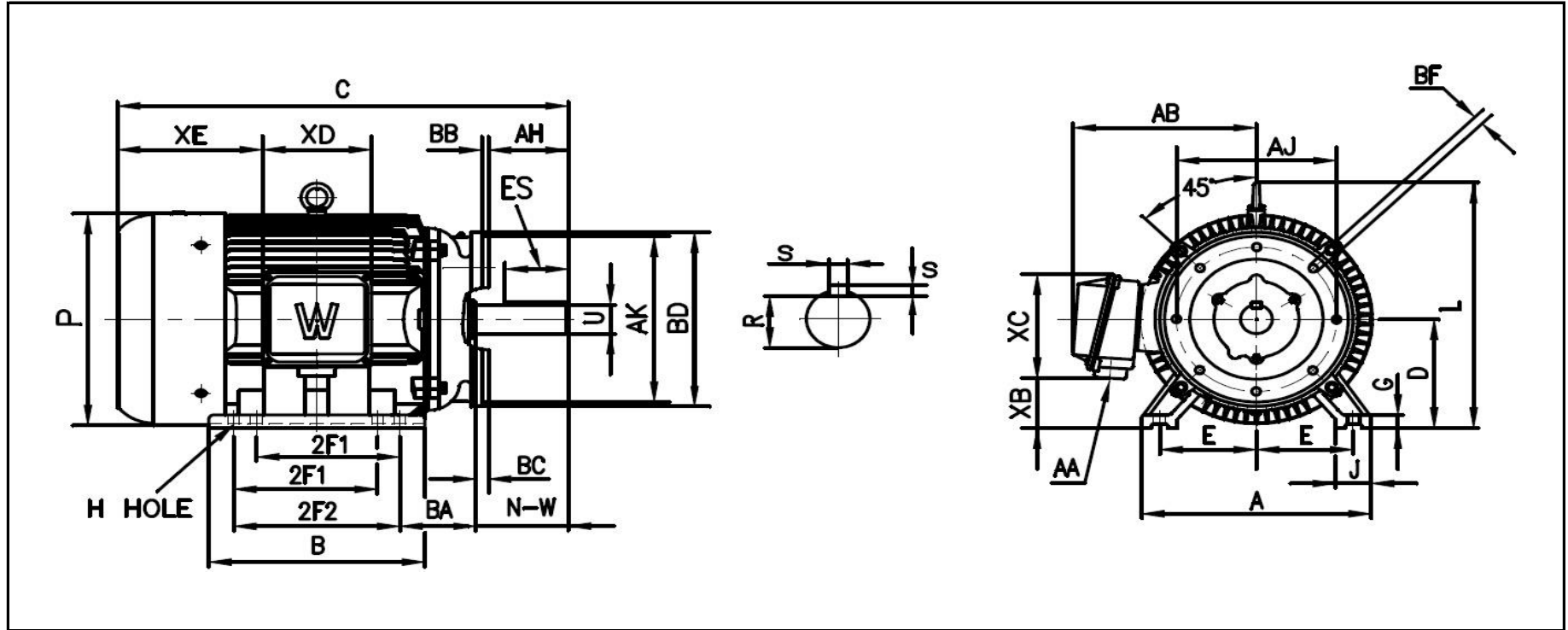


MARCH 10, 2015



# WORLDWIDE ELECTRIC MOTOR DRAWING

## EP-364TC



DIMENSIONS - INCHES

MOUNTING					A	B	C	D	G	J	P	L	AB	AH	BC
E	2F1	2F2	H	BA											
7	11.25	---	0.66	5.88	17	14.6	33.07	9	1.102	3.15	18.25	21	16.73	5.62	0.25

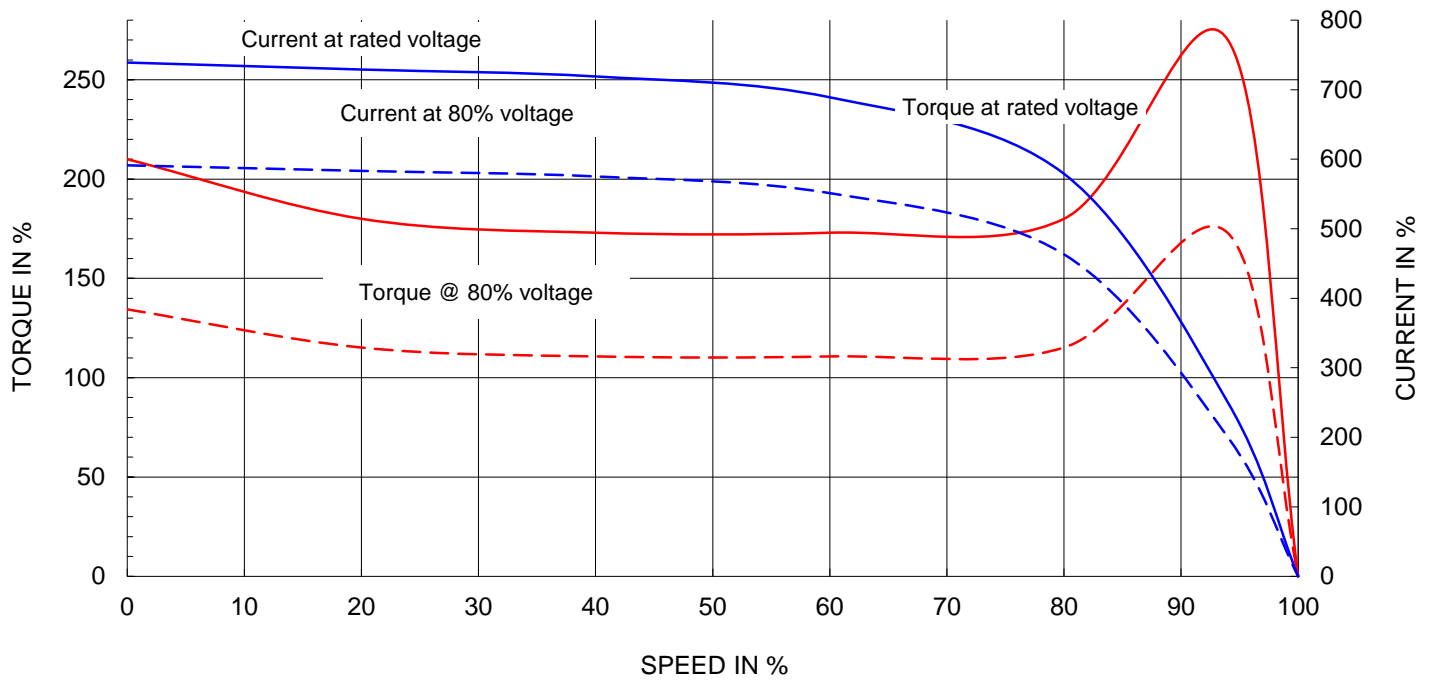
KEY		KEYSET	FLANGE				SHAFT		TERMINAL BOX					
S	ES	R	AK	AJ	BF	BB	BD	N-W	U	AA	XB	XC	XD	XE
0.625	4.28	2.021	12.5	11	5/8-11	0.25	14	5.88	2.375	3	3.3	11.73	9.76	11



# Motor Performance Curves

Motor type:	EPIC				
Output rating (HP)	60	FL Speed:	1780		
Full Load Torque :	178 lb.ft	LRT (% FLT):	210	460 volt FLA:	68.8
Rotor Wk^2:	15.66 lb-ft^2	BDT (% FLT):	270	230 volt FLA:	137.6

SPEED VS TORQUE & CURRENT CURVE



OUTPUT VS EFF., P.F & CURRENT CURVE

